



FIRE RESISTIVE



FORCED ENTRY



BALLISTIC RATED



BLAST RATED

 **SAFTI*****FIRST***  
**SECURITY SERIES**

**MAXIMUM FIRE RESISTANCE • MAXIMUM SECURITY**

# SuperSecure™ II-XLS 45-120

## PRODUCT ADVANTAGES

- ▶ **The only wire-free, fire resistive rated security glazing to meet CDCR 860-14a testing requirements and ASTM F1915 Grades 1-4.**
- ▶ Meets ASTM E119 / UL 263 / NFPA 251 requirements with hose stream up to 2 hours for Fire Resistance.
- ▶ Largest tested and listed sizes for wire-free, fire resistive rated security glazing.
- ▶ High STC ratings.
- ▶ 5 year manufacturer's warranty.
- ▶ USA manufactured for fast lead times and competitive pricing.

## SIZES

### Largest sizes for Doors, Openings and Walls:

Fire Rating	Max. CV Area	Max. CV Width	Max. CV Height	Stops
45-60 minutes	4,952 in. <sup>2</sup> (3.19 m <sup>2</sup> )	96 in. (2.44 m)	96 in. (2.44 m)	1 in. (25 mm)
90-120 minutes	4,876 in. <sup>2</sup> (3.15 m <sup>2</sup> )	96 in. (2.44 m)	96 in. (2.44 m)	1 in. (25 mm)

Please call SAFTI *FIRST* for custom sizes: exceeding 96 in. (2.44 m) and up to a maximum 124 in. (3.15 m)

## SPECIFICATIONS (All dimensions and weights are nominal)

### CDCR

Fire Rating	Approx. Thickness	Approx. Weight
45 minutes	1.375 in (35 mm)	12 lb./ft <sup>2</sup> (58.59 kg/m <sup>2</sup> )
60 minutes	1.75 in (44 mm)	13.5 lb./ft <sup>2</sup> (65.91 kg/m <sup>2</sup> )
90-120 minutes	2.125 in (54 mm)	18 lb./ft <sup>2</sup> (87.88 kg/m <sup>2</sup> )

### ASTM Grade 1 (60 min. Attack)

Fire Rating	Approx. Thickness	Approx. Weight
45 minutes	1.75 in (44 mm)	16.3 lb./ft <sup>2</sup> (79.58 kg/m <sup>2</sup> )
60 minutes	2.125 in (54 mm)	17.3 lb./ft <sup>2</sup> (84.47 kg/m <sup>2</sup> )
90-120 minutes	2.5 in (64 mm)	20.3 lb./ft <sup>2</sup> (99.11 kg/m <sup>2</sup> )

### ASTM Grade 2 (40 min. Attack)

Fire Rating	Approx. Thickness	Approx. Weight
45 minutes	1.5 in (38 mm)	14.16 lb./ft <sup>2</sup> (69.14 kg/m <sup>2</sup> )
60 minutes	1.875 in (48 mm)	15.16 lb./ft <sup>2</sup> (74.02 kg/m <sup>2</sup> )
90-120 minutes	2.25 in (57 mm)	18.16 lb./ft <sup>2</sup> (88.66 kg/m <sup>2</sup> )

### ASTM Grade 3 (20 min. Attack)

Fire Rating	Approx. Thickness	Approx. Weight
45 minutes	1.375 in (35 mm)	13.8 lb./ft <sup>2</sup> (67.38 kg/m <sup>2</sup> )
60 minutes	2.125 in (54 mm)	14.8 lb./ft <sup>2</sup> (72.26 kg/m <sup>2</sup> )
90-120 minutes	2.5 in (64 mm)	17.8 lb./ft <sup>2</sup> (86.91 kg/m <sup>2</sup> )

### ASTM Grade 4 (10 min. Attack)

Fire Rating	Approx. Thickness	Approx. Weight
45 minutes	1.25 in (32 mm)	13.1 lb./ft <sup>2</sup> (63.96 kg/m <sup>2</sup> )
60 minutes	1.625 in (41 mm)	14.1 lb./ft <sup>2</sup> (68.84 kg/m <sup>2</sup> )
90-120 minutes	2 in (51 mm)	17.1 lb./ft <sup>2</sup> (83.49 kg/m <sup>2</sup> )



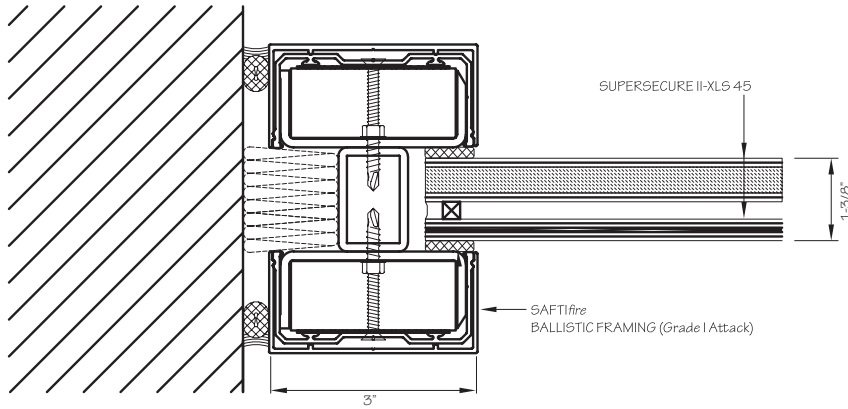
FIRE RESISTIVE



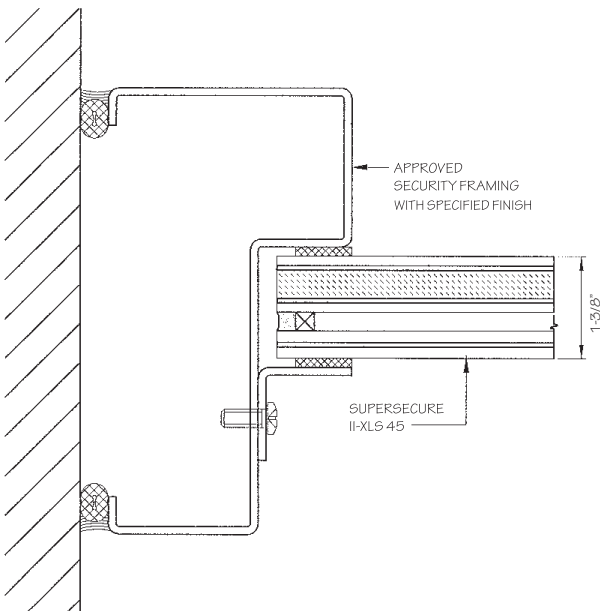
FORCED ENTRY

## TYPICAL DETAILS

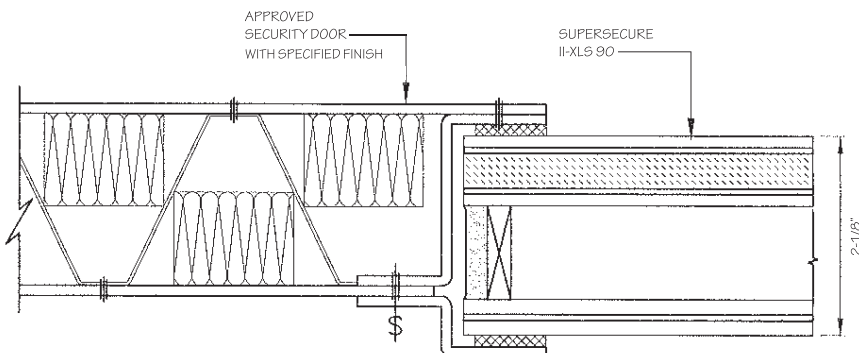
### SuperSecure II-XLS 45 in SAFTI*fire* Ballistic Framing



### SuperSecure II-XLS 45 in approved security window framing



### SuperSecure II-XLS 90 in approved security door framing



Details are not to scale.

The information provided herein is for general reference only and subject to change without notice. Please visit [www.safti.com](http://www.safti.com) for the most up to date information.

# SAFTI*fire* **Ballistic** FRAMING

## PRODUCT ADVANTAGES

- ▶ **45 to 120 minute clear, fire resistive, ballistic and attack rated, aluminum clad framing system for walls, openings and doors.**
- ▶ Meets ASTM E119 / UL 263 / NFPA 251 with hose stream up to 2 hours for Fire Resistance.
- ▶ Meets UL 752 Level 3 and can be customized to meet up to Level 8 for Ballistic Resistance.
- ▶ Meets ASTM F1592 Grade 1 for Attack Resistance.
- ▶ Offered in standard and custom finishes including high performance fluoropolymer finishes by PPG, clear anodized, bronze anodized, black anodized, Decoral<sup>®</sup>, any species of wood veneer, ornamental metal and more.
- ▶ 5 year manufacturer's warranty.
- ▶ USA manufactured for fast lead times and competitive pricing.

## SIZES

### Framing:

Fire Rating	Max. CV Area	Max. CV Width	Max. CV Height	Stops
45-60 minutes	4,952 in. <sup>2</sup> (3.19 m <sup>2</sup> )	96 in. (2.44 m)	96 in. (2.44 m)	1 in. (25 mm)
90-120 minutes	4,876 in. <sup>2</sup> (3.15 m <sup>2</sup> )	96 in. (2.44 m)	96 in. (2.44 m)	1 in. (25 mm)

Please call SAFTI *FIRST* for custom sizes exceeding 96 in. (2.44 m) and up to a maximum 124 in. (3.15 m)  
 Minimum clear view between structural members is 12 in. x 12 in. for UL 752  
 Minimum clear view between structural members is 25-1/8 in. x 24-1/8 in. for ASTM 1592

### Doors:

Fire Rating	Max. Door Opening (Single Door)	Max. Door Opening (Pair Door)
60-90 minutes	48 x 108 in. (1.22 m x 2.74 m)	96 x 108 in. (2.44 m x 2.74 m)

## SPECIFICATIONS (All dimensions and weights are nominal)

### Level 3 Ballistic/Grade 1 Attack (Contact SAFTI *FIRST* for dimensions for Level 4-8 ballistic ratings):

Fire Rating	Approx. Thickness	Approx. Weight
45 minutes	2-5/16 in. (59 mm)	21 lb./ft <sup>2</sup> (102.53 kg/m <sup>2</sup> )
60 minutes	2-3/4 in. (70 mm)	22 lb./ft <sup>2</sup> (107.41 kg/m <sup>2</sup> )
90-120 minutes	2-11/16 in. (68 mm)	25 lb./ft <sup>2</sup> (122.06 kg/m <sup>2</sup> )

**Frame Profile:** 3 – 5 in.

**Door Rail:** 5 in. vertical stile, 5 in. head and 10 in. bottom rail (bottom rail can be modified with AHJ approval)

**Door Depth:** 4 – 5 in.



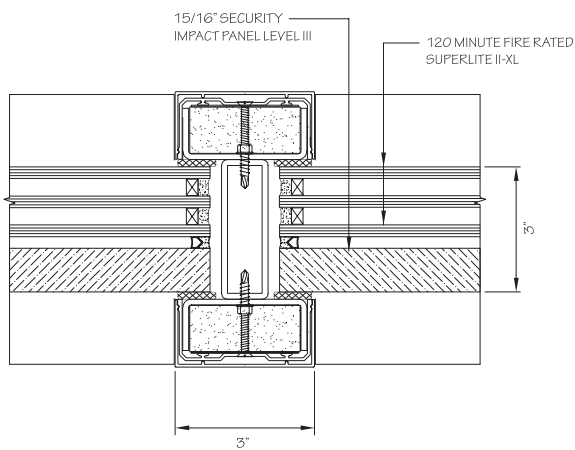
FIRE RESISTIVE



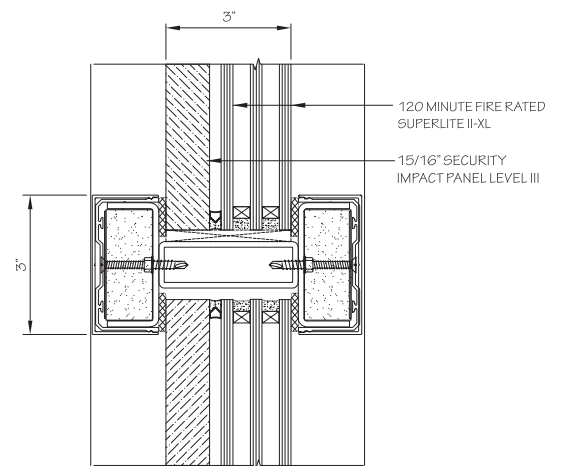
BALLISTIC RATED

## TYPICAL DETAILS

### SAFTI*fire* Ballistic in a 120 minute wall (Level 3 Ballistic/Grade 1 Attack)

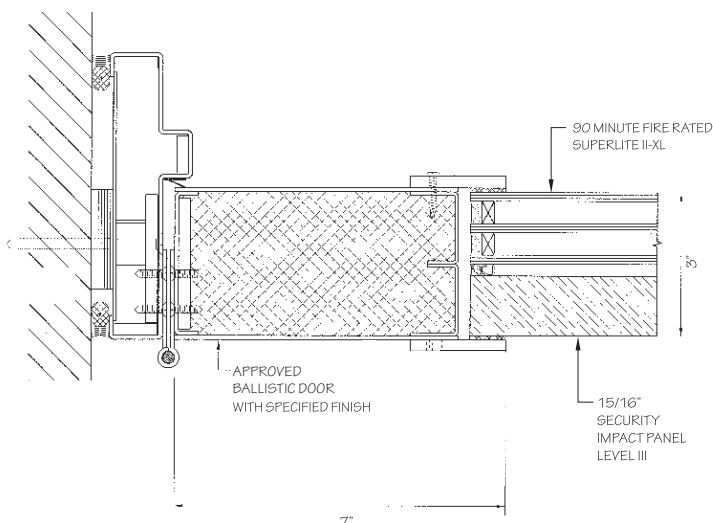


VERTICAL DETAIL

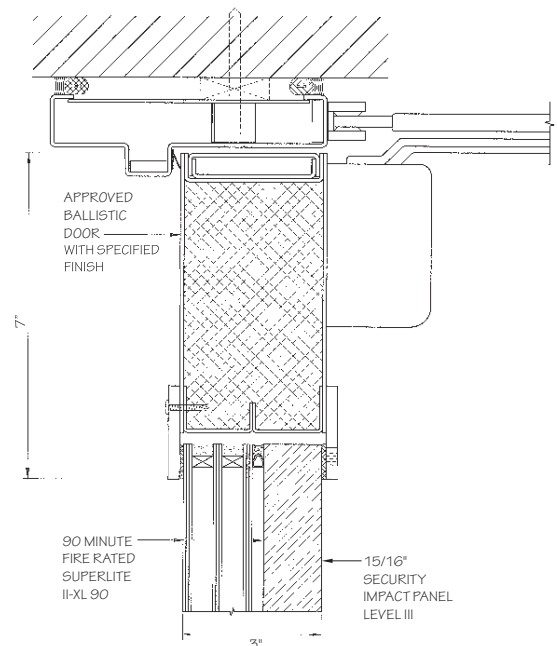


HORIZONTAL DETAIL

### SAFTI*fire* Ballistic in a 90 minute door (Level 3 Ballistic/Grade 1 Attack)



DOOR JAMB



TOP RAIL

Details are not to scale.

The information provided herein is for general reference only and subject to change without notice. Please visit [www.safti.com](http://www.safti.com) for the most up to date information.

# SAFTI*fire* **Blast** FRAMING

## PRODUCT ADVANTAGES

- ▶ **45 to 120 minute clear, fire resistive, blast rated, aluminum clad framing system for walls and openings.**
- ▶ Meets ASTM E119 / UL 263 / NFPA 251 with hose stream up to 2 hours for Fire Resistance.
- ▶ Meets a 3-second design loading of 50 psf per UFC 4-010-01 2007 Department of Defense (DOD) Minimum Antiterrorism Standards for Buildings for Blast Resistance.
- ▶ Meets ASTM E1300 Standard Practice for Determining Load Resistance of Glass in Buildings.
- ▶ Designed in accordance with ASTM F2248 Standard Practice for Specifying an Equivalent 3-Second Duration Design Loading for Blast Resistant Glazing Fabricated with Laminated Glass.
- ▶ Can be engineered to meet all levels of blast protection depending on the project, with static and dynamic analysis using Wingard software, which is standard industry practice and allowable under DOD standards.
- ▶ Comprised of SuperLite II-XL with one tempered & laminated lite with a minimum interlayer of .030 in. The laminated side is towards the interior of the building to protect the occupants from glass fragments caused by the blast.
- ▶ Offered in standard and custom finishes including high performance fluoropolymer finishes by PPG, clear anodized, bronze anodized, black anodized, Decoral<sup>®</sup>, any species of wood veneer, ornamental metal, and more.
- ▶ 5 year manufacturer's warranty.
- ▶ USA manufactured for fast lead times and competitive pricing.

## SIZES

### Framing:

Fire Rating	Max. CV Area	Max. CV Width	Max. CV Height	Stops
45-60 minutes	4,952 in. <sup>2</sup> (3.19 m <sup>2</sup> )	124 in. (3.15 m)	124 in. (3.15 m)	1 in. (25 mm)
90-120 minutes	4,876 in. <sup>2</sup> (3.15 m <sup>2</sup> )	124 in. (3.15 m)	124 in. (3.15 m)	1 in. (25 mm)

## SPECIFICATIONS (All dimensions and weights are nominal)

**Thickness and Weight:** Depends on project requirements. Please contact SAFTI *FIRST* for more information.

**Wall/Opening Frame Profile:** 3 in.



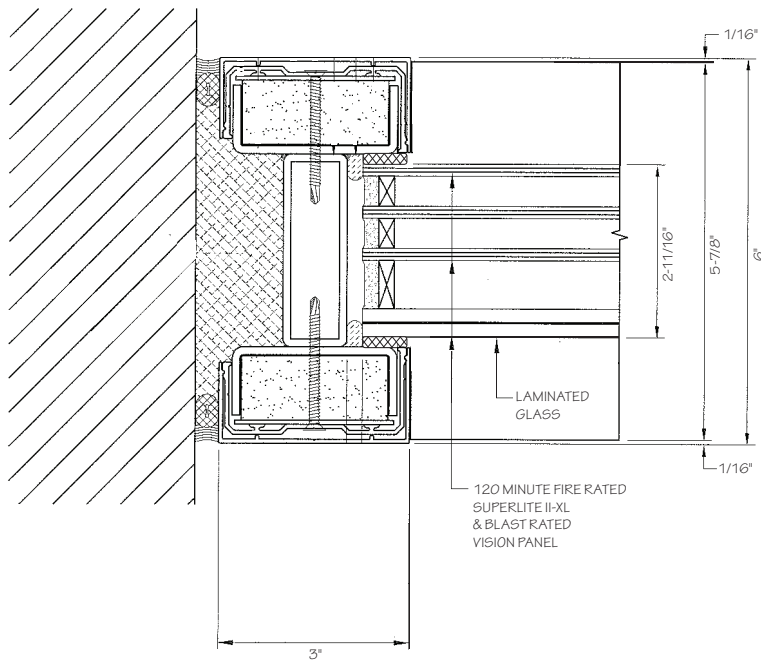
FIRE RESISTIVE



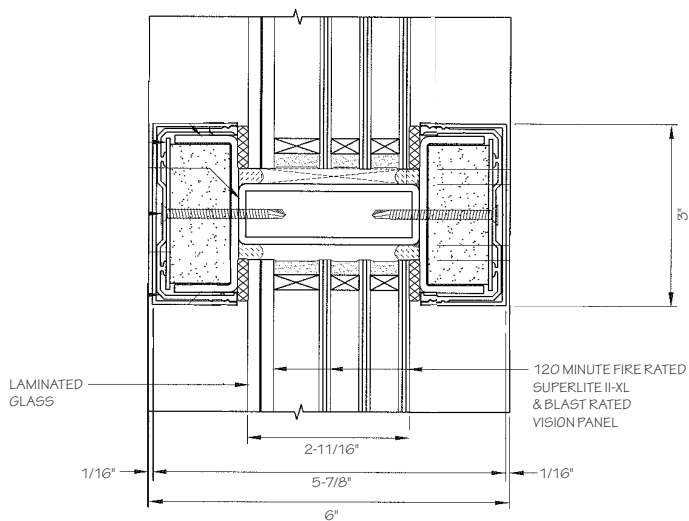
BLAST RATED

## TYPICAL DETAILS

### SAFTI*fire* Blast in a 120 minute wall



JAMB DETAIL



VERTICAL DETAIL

Details are not to scale.

The information provided herein is for general reference only and subject to change without notice. Please visit [www.safti.com](http://www.safti.com) for the most up to date information.



SAFTI *FIRST* Fire Rated Glazing Solutions  
www.safti.com  
888.653.3333  
100 N Hill Dr, Suite 12  
Brisbane, CA 94005



Made in the USA © October 2014