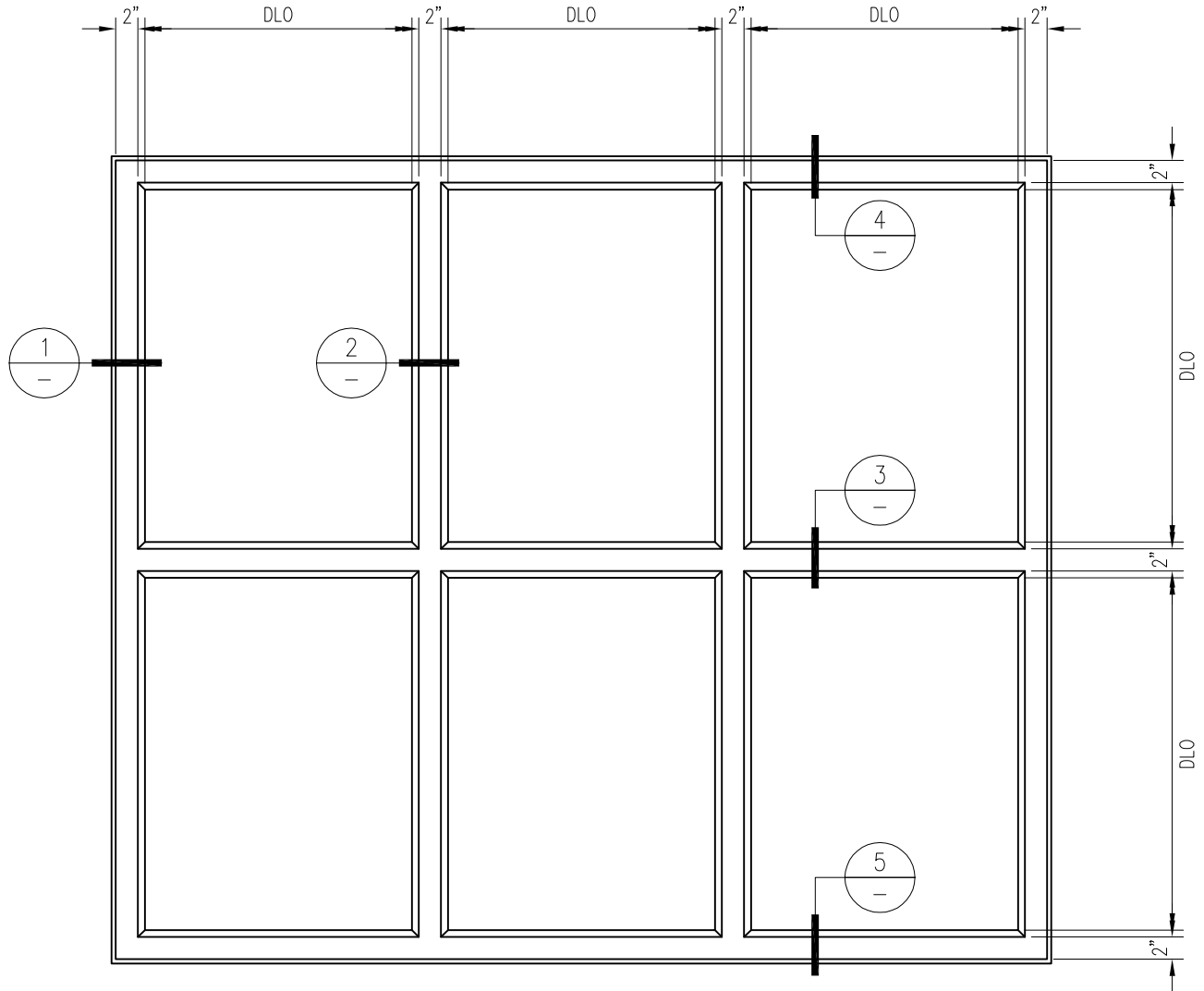


# 45 MINUTE FIRE PROTECTIVE OPENING

—INTERIOR APPLICATION—

For more details, please visit [www.safti.com](http://www.safti.com)



**SAFTIFIRST™**  
 FIRE RATED GLAZING SOLUTIONS *Since 1982*  
 100 N. HILL DR. SUITE 12 TEL: (415) 824-4900  
 BRISBANE, CA 94005 FAX: (415) 824-5900

**SuperLite™ I-XL**  
**GPX BUILDERS SERIES**  
 FIRE PROTECTIVE

DATE:

DRAWN:

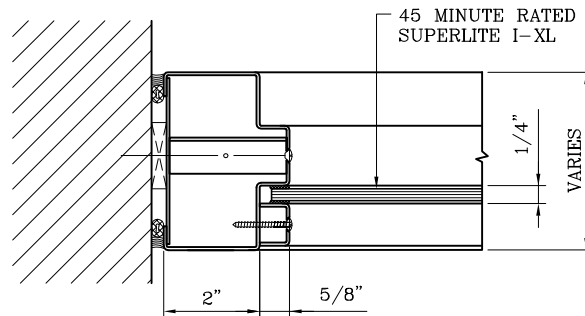
SCALE:

These details are subject to change without notice.

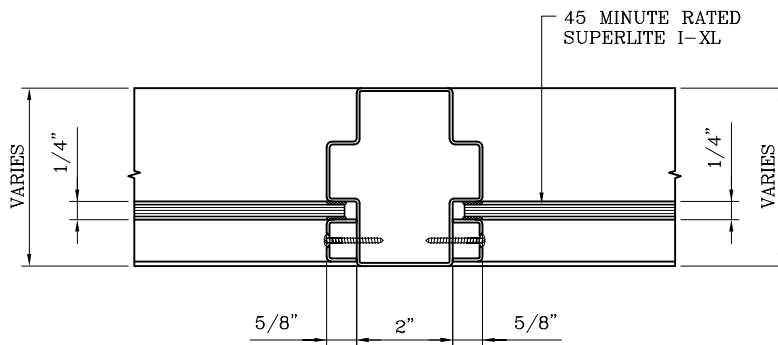
# 45 MINUTE FIRE PROTECTIVE OPENING

—INTERIOR APPLICATION—

For more details, please visit [www.safti.com](http://www.safti.com)



1 JAMB DETAIL



2 VERTICAL MULLION DETAIL

**SAFTIFIRST**™  
FIRE RATED GLAZING SOLUTIONS Since 1982  
100 N. HILL DR. SUITE 12 TEL: (415) 824-4900  
BRISBANE, CA 94005 FAX: (415) 824-5900

**SuperLite™ I-XL**  
**GPX BUILDERS**  
**SERIES**  
FIRE PROTECTIVE

DATE:

DRAWN:

SCALE:

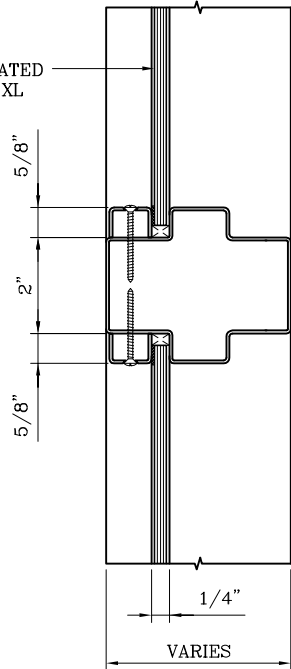
These details are subject to change without notice.

# 45 MINUTE FIRE PROTECTIVE OPENING

—INTERIOR APPLICATION—

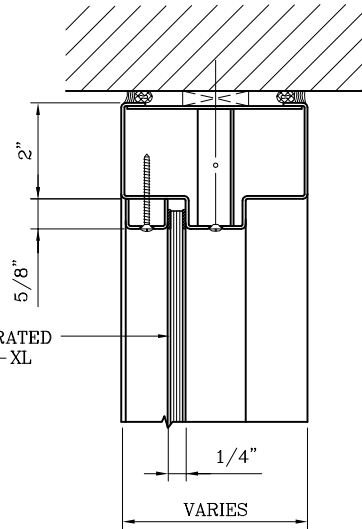
For more details, please visit [www.safti.com](http://www.safti.com)

45 MINUTE RATED  
SUPERLITE I-XL



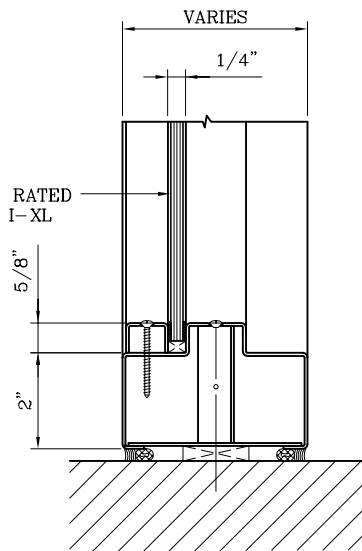
3 HORIZONTAL MULLION DETAIL

45 MINUTE RATED  
SUPERLITE I-XL



4 HEAD DETAIL

45 MINUTE RATED  
SUPERLITE I-XL



5 SILL DETAIL

**SAFTIFIRST™**  
FIRE RATED GLAZING SOLUTIONS Since 1982  
100 N. HILL DR. SUITE 12 TEL: (415) 824-4900  
BRISBANE, CA 94005 FAX: (415) 824-5900

**SuperLite™ I-XL**  
**GPX BUILDERS**  
**SERIES**  
FIRE PROTECTIVE

DATE:

DRAWN:

SCALE:

These details are subject to change without notice.