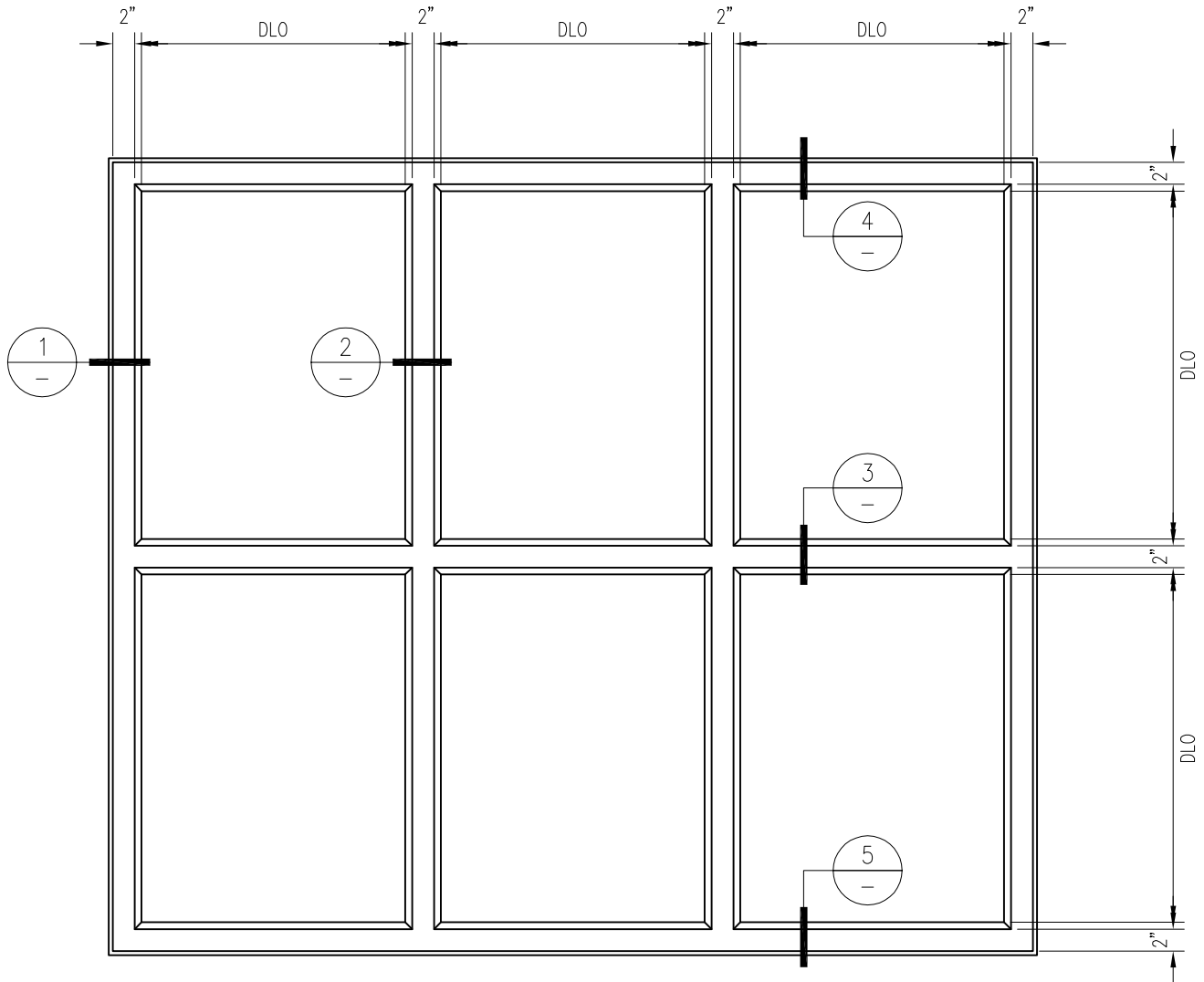


# 45 MINUTE FIRE PROTECTIVE OPENING

—INTERIOR APPLICATION—

For more details, please visit [www.safti.com](http://www.safti.com)



**SAFTIFIRST**™  
FIRE RATED GLAZING SOLUTIONS Since 1982  
100 N. HILL DR. SUITE 12 TEL: (415) 824-4900  
BRISBANE, CA 94005 FAX: (415) 824-5900

**SAFTIFIRST**  
**PYRAN® Platinum**  
Manufactured by SCHOTT® Technical Glass Solutions  
**GPX BUILDERS SERIES**  
FIRE PROTECTIVE

DATE:

DRAWN:

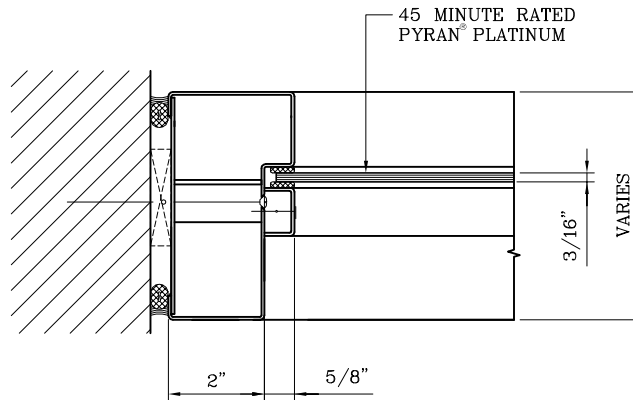
SCALE:

These details are subject to change without notice.

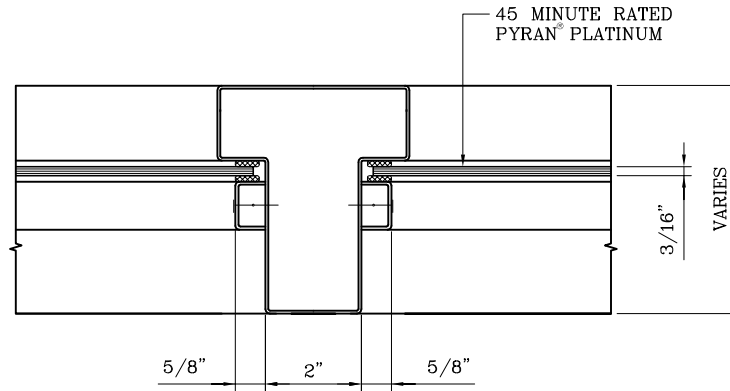
# 45 MINUTE FIRE PROTECTIVE OPENING

—INTERIOR APPLICATION—

For more details, please visit [www.safti.com](http://www.safti.com)



1 JAMB DETAIL



2 VERTICAL MULLION DETAIL

**SAFTIFIRST™**  
 FIRE RATED GLAZING SOLUTIONS *Since 1982*  
 100 N. HILL DR. SUITE 12 TEL: (415) 824-4900  
 BRISBANE, CA 94005 FAX: (415) 824-5900

**SAFTIFIRST**  
**PYRAN® Platinum**  
 Manufactured by SCHOTT® Technical Glass Solutions  
**GPX BUILDERS SERIES**  
 FIRE PROTECTIVE

DATE:

DRAWN:

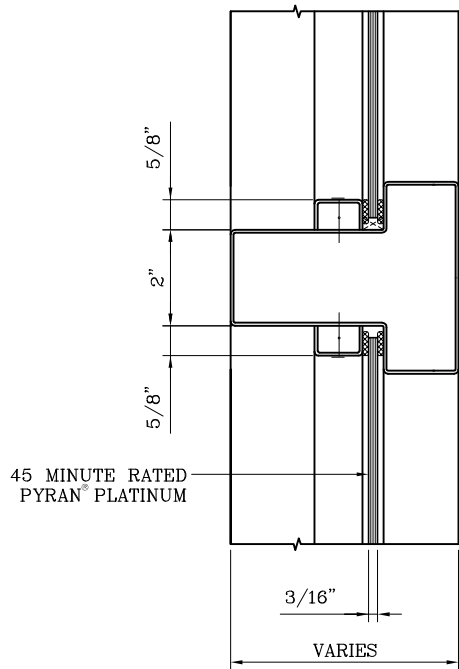
SCALE:

These details are subject to change without notice.

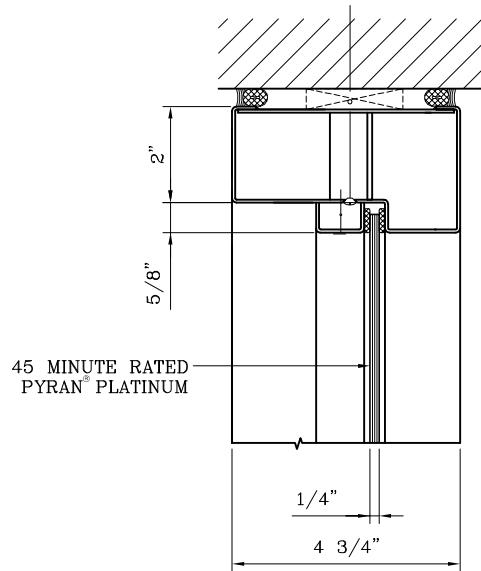
# 45 MINUTE FIRE PROTECTIVE OPENING

—INTERIOR APPLICATION—

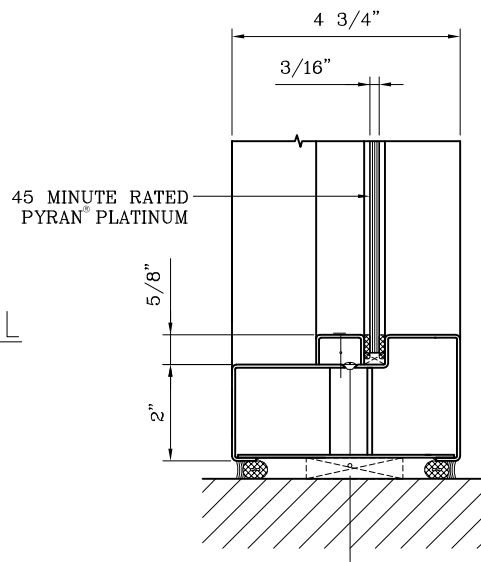
For more details, please visit [www.safti.com](http://www.safti.com)



3 HORIZONTAL MULLION DETAIL



4 HEAD DETAIL



5 SILL DETAIL

**SAFTIFIRST**<sup>TM</sup>  
 FIRE RATED GLAZING SOLUTIONS *Since 1982*  
 100 N. HILL DR. SUITE 12 TEL: (415) 824-4900  
 BRISBANE, CA 94005 FAX: (415) 824-5900

**SAFTIFIRST**  
**PYRAN<sup>®</sup> Platinum**  
 Manufactured by SCHOTT<sup>®</sup> Technical Glass Solutions  
**GPX**  
**BUILDERS**  
**SERIES**  
 FIRE PROTECTIVE

DATE:

DRAWN:

SCALE:

These details are subject to change without notice.