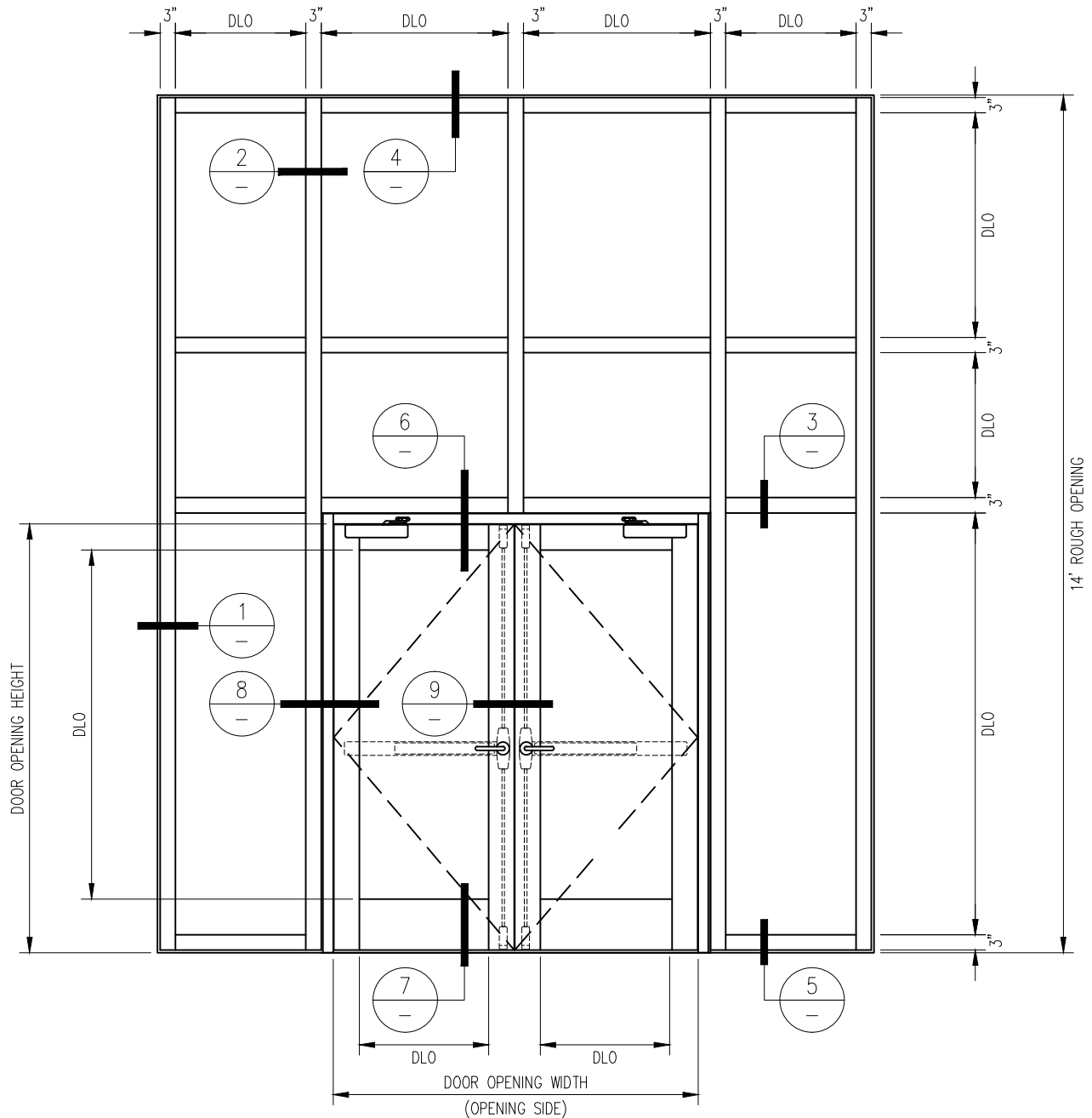


60 MINUTE FIRE RESISTIVE CURTAINWALL WITH 60 MINUTE FIRE RESISTIVE GPX PAIR DOOR – FOR SPANS UP TO 14 FEET –

For more details, please visit www.safti.com



SAFTIFIRST™
FIRE RATED GLAZING SOLUTIONS *Since 1982*
100 N. HILL DR. SUITE 12 TEL: (415) 824-4900
BRISBANE, CA 94005 FAX: (415) 824-5900

SuperLite™ II-XL
GPX CURTAIN WALL SYSTEM

DATE:

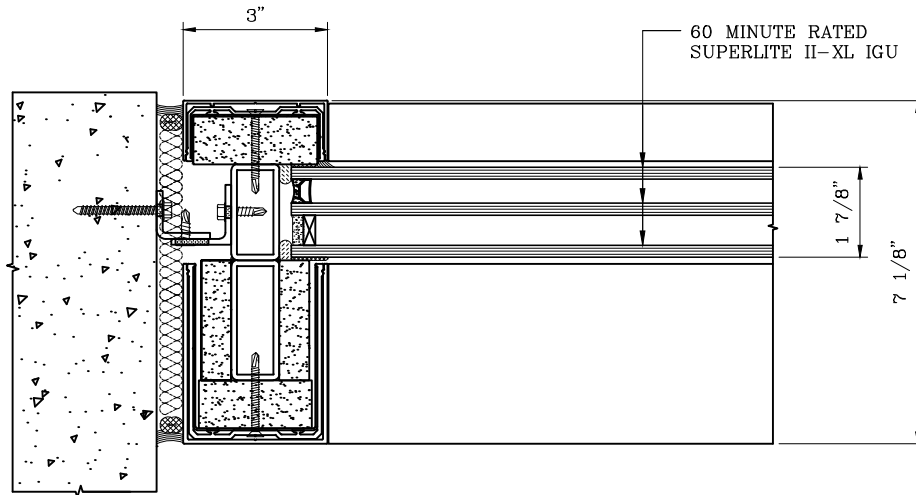
DRAWN:

SCALE:

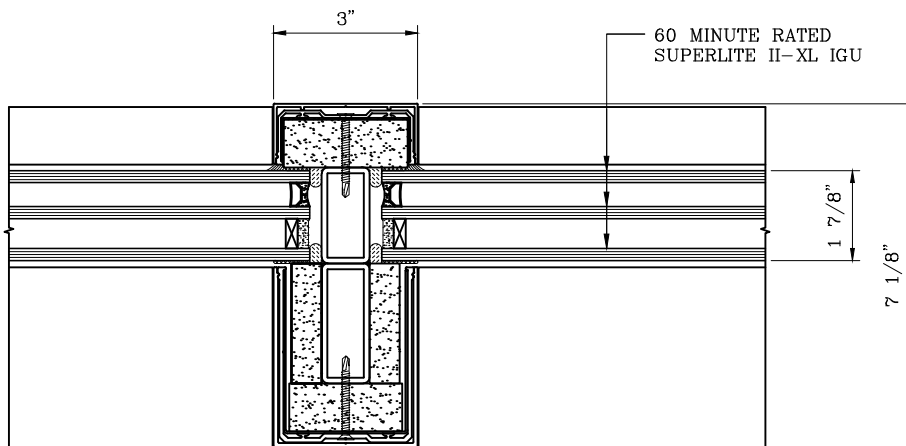
These details are subject to change without notice.

60 MINUTE FIRE RESISTIVE CURTAINWALL WITH 60 MINUTE FIRE RESISTIVE GPX PAIR DOOR – FOR SPANS UP TO 14 FEET –

For more details, please visit www.safti.com



1 JAMB DETAIL



2 VERTICAL MULLION DETAIL

SAFTIFIRST™
FIRE RATED GLAZING SOLUTIONS Since 1982
100 N. HILL DR. SUITE 12 TEL: (415) 824-4900
BRISBANE, CA 94005 FAX: (415) 824-5900

SuperLite™ II-XL
GPX CURTAIN WALL SYSTEM

DATE:

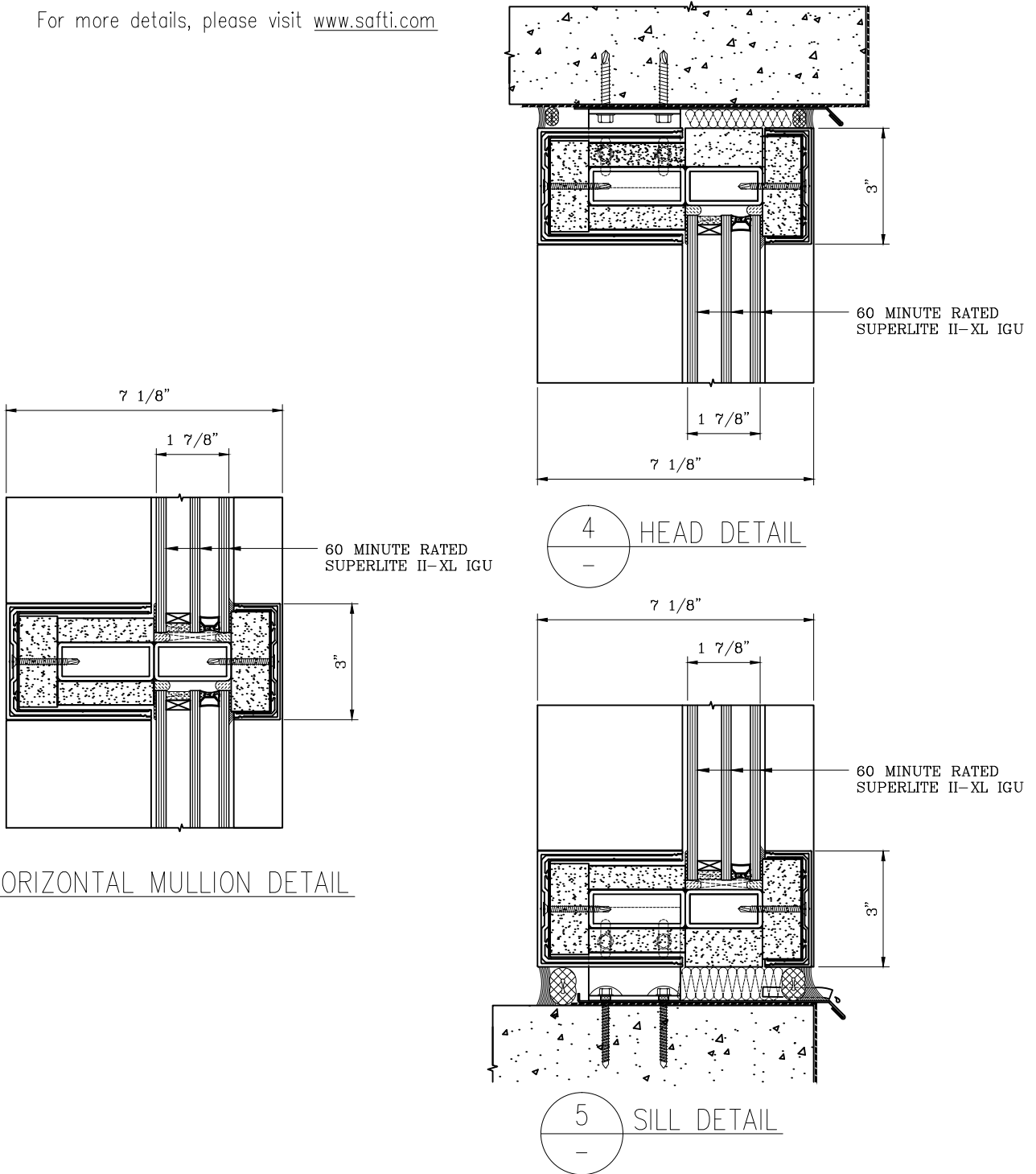
DRAWN:

SCALE:

These details are subject to change without notice.

60 MINUTE FIRE RESISTIVE CURTAINWALL WITH 60 MINUTE FIRE RESISTIVE GPX PAIR DOOR – FOR SPANS UP TO 14 FEET –

For more details, please visit www.safti.com



SAFTIFIRST™
 FIRE RATED GLAZING SOLUTIONS *Since 1982*
 100 N. HILL DR. SUITE 12 TEL: (415) 824-4900
 BRISBANE, CA 94005 FAX: (415) 824-5900

SuperLite™ II-XL
GPX CURTAIN WALL SYSTEM

DATE:

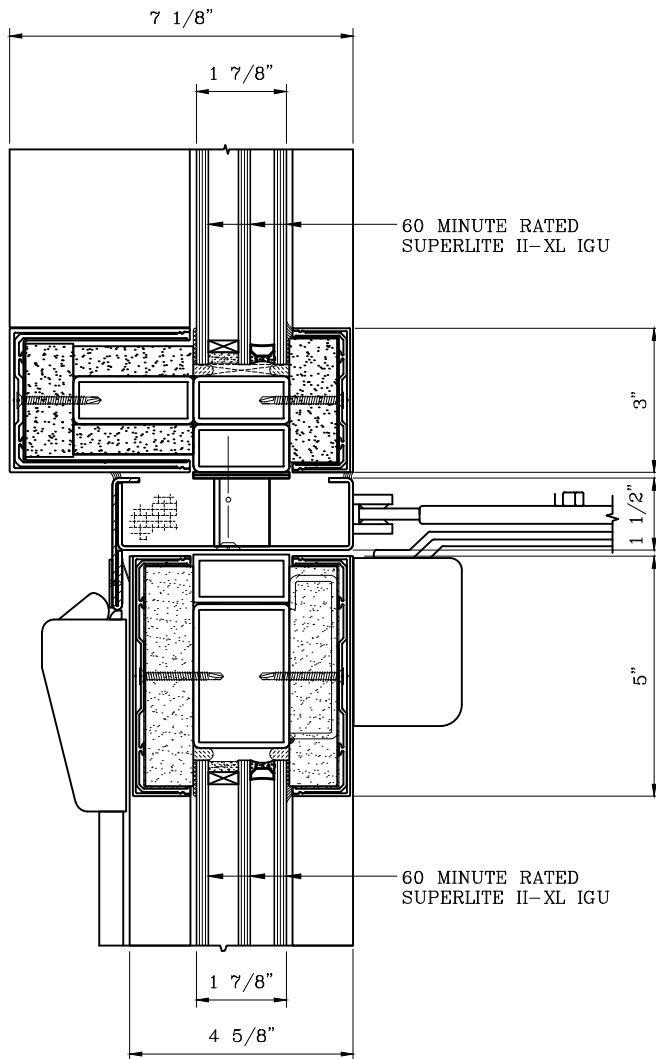
DRAWN:

SCALE:

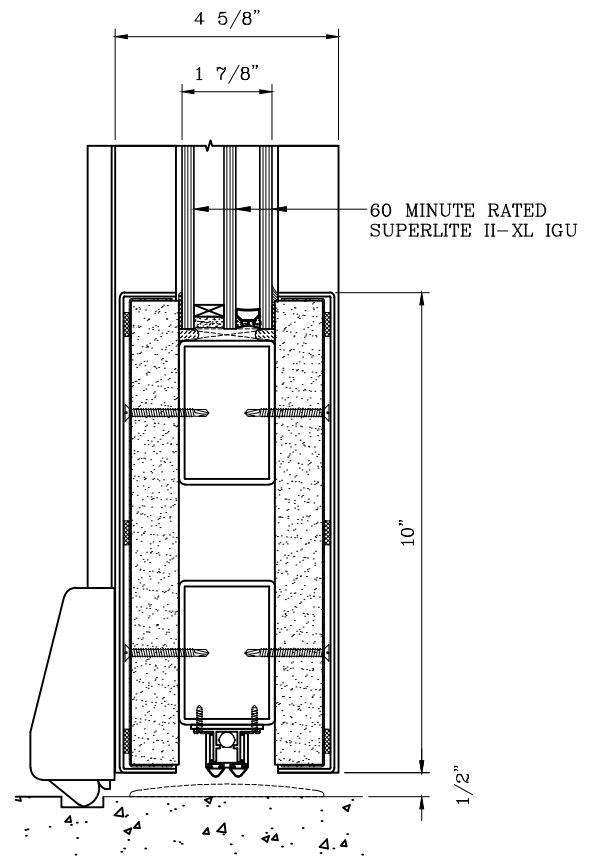
These details are subject to change without notice.

60 MINUTE FIRE RESISTIVE CURTAINWALL WITH 60 MINUTE FIRE RESISTIVE GPX PAIR DOOR – FOR SPANS UP TO 14 FEET –

For more details, please visit www.safti.com



6
—
DOOR TOP RAIL DETAIL



7
—
DOOR BOTTOM RAIL DETAIL

SAFTIFIRST™
FIRE RATED GLAZING SOLUTIONS *Since 1982*
100 N. HILL DR. SUITE 12 TEL: (415) 824-4900
BRISBANE, CA 94005 FAX: (415) 824-5900

SuperLite™ II-XL
GPX CURTAIN WALL SYSTEM

DATE:

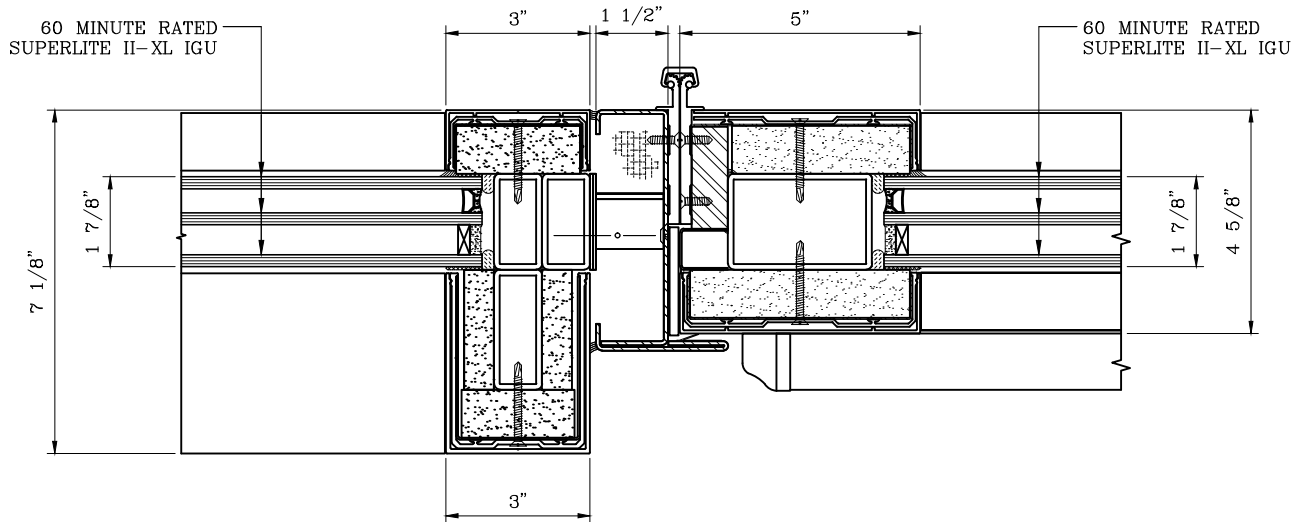
DRAWN:

SCALE:

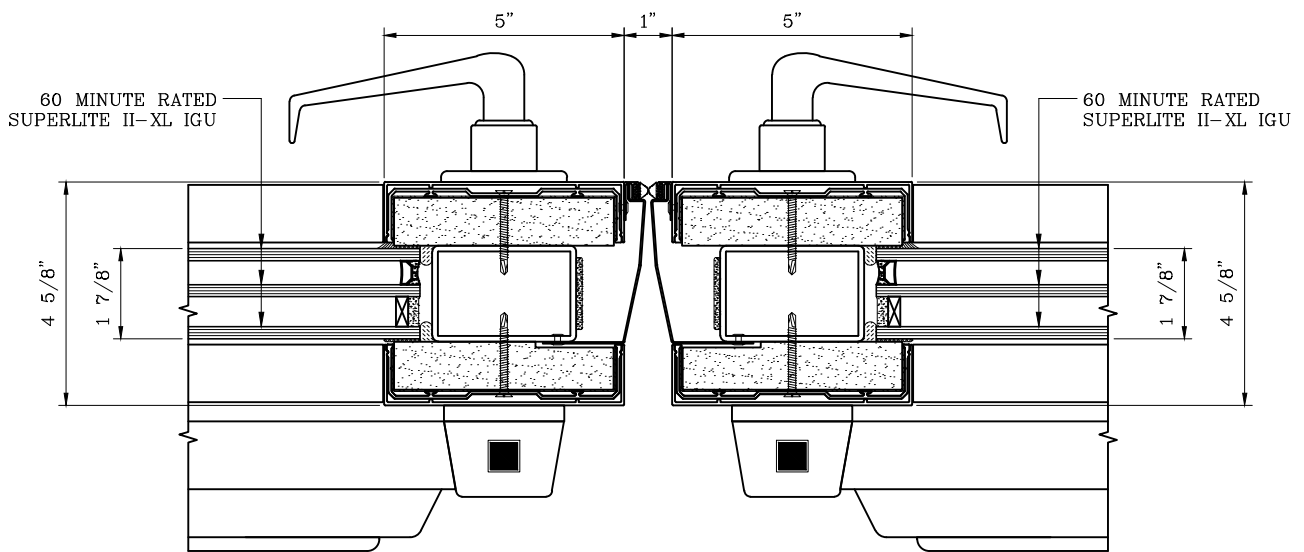
These details are subject to change without notice.

60 MINUTE FIRE RESISTIVE CURTAINWALL WITH 60 MINUTE FIRE RESISTIVE GPX PAIR DOOR - FOR SPANS UP TO 14 FEET -

For more details, please visit www.safti.com



8 DOOR JAMB at HINGE DETAIL



9 DOOR MEETING STILES DETAIL

SAFTIFIRST™
FIRE RATED GLAZING SOLUTIONS Since 1982
100 N. HILL DR. SUITE 12 TEL: (415) 824-4900
BRISBANE, CA 94005 FAX: (415) 824-5900

SuperLite™ II-XL
GPX CURTAIN WALL SYSTEM

DATE:

DRAWN:

SCALE:

These details are subject to change without notice.