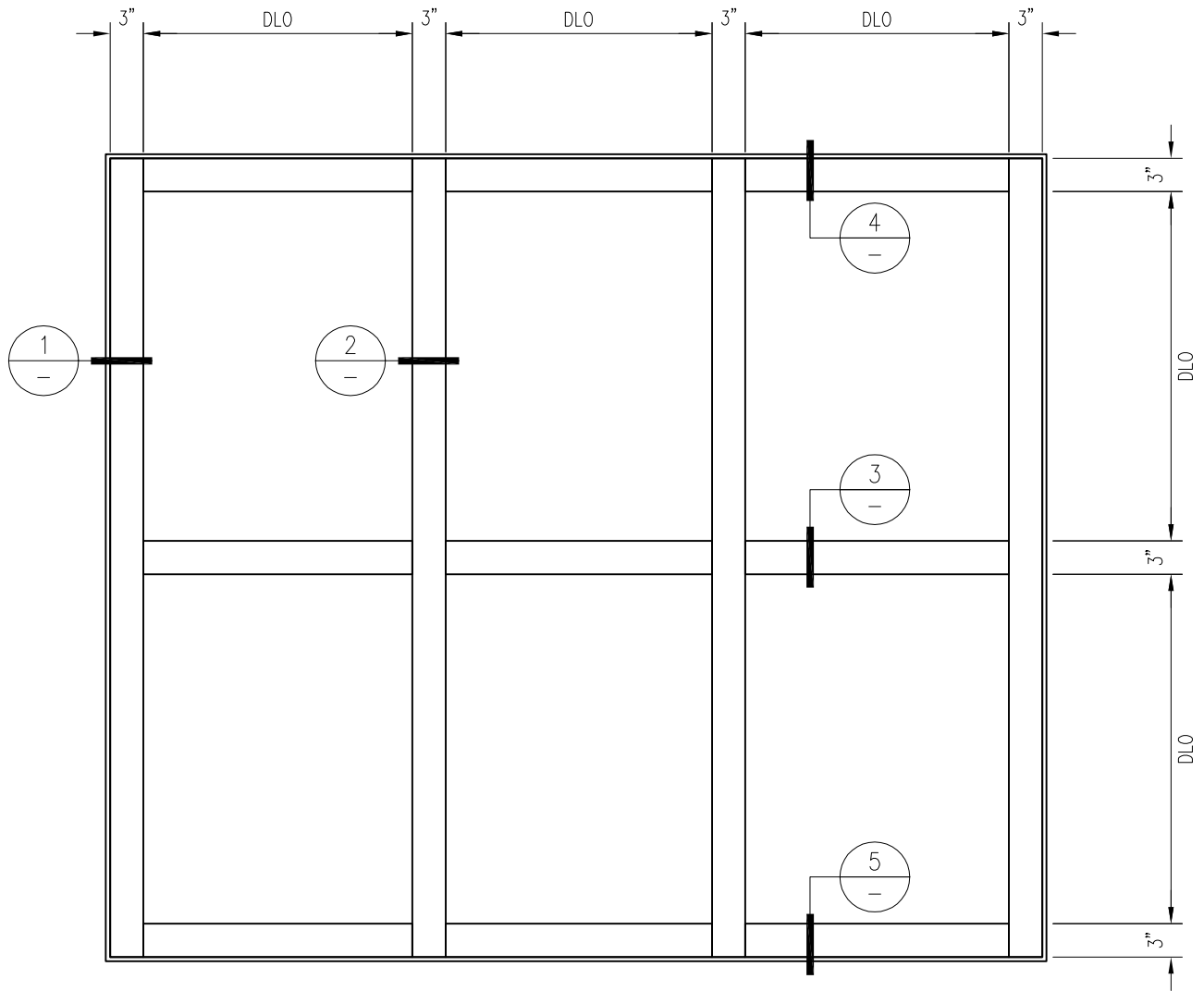


45 MINUTE FIRE RESISTIVE HURRICANE RATED OPENING

For more details, please visit www.safti.com



SAFTIFIRST™
 FIRE RATED GLAZING SOLUTIONS *Since 1982*
 100 N. HILL DR. SUITE 12 TEL: (415) 824-4900
 BRISBANE, CA 94005 FAX: (415) 824-5900

SuperLite™ II-XL
GPX HURRICANE SYSTEM

DATE:

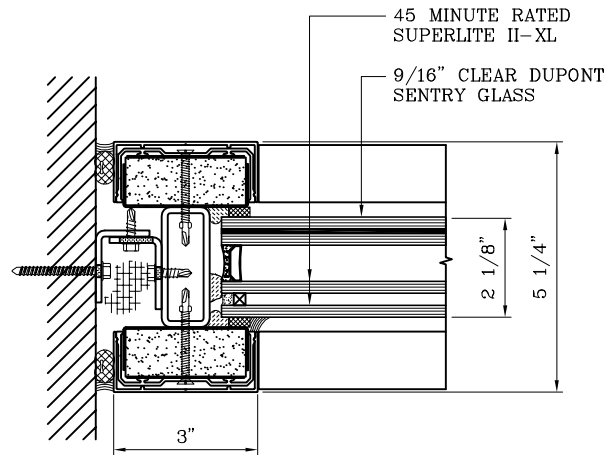
DRAWN:

SCALE:

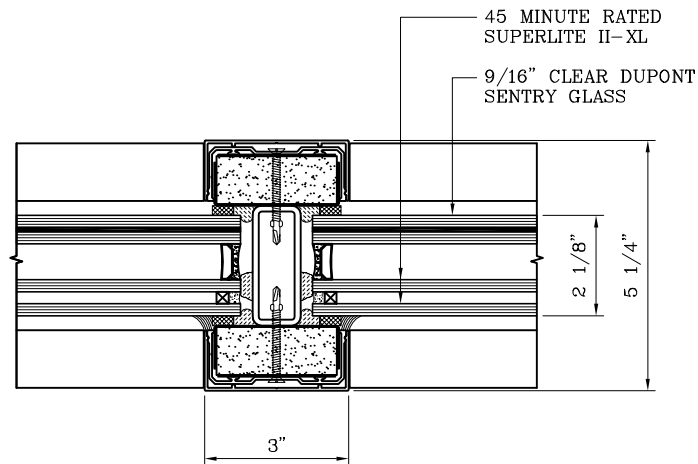
These details are subject to change without notice.

45 MINUTE FIRE RESISTIVE HURRICANE RATED OPENING

For more details, please visit www.safti.com



1 JAMB DETAIL



2 VERTICAL MULLION DETAIL

SAFTIFIRST™
FIRE RATED GLAZING SOLUTIONS Since 1982
100 N. HILL DR. SUITE 12 TEL: (415) 824-4900
BRISBANE, CA 94005 FAX: (415) 824-5900

SuperLite™ II-XL
GPX HURRICANE SYSTEM

DATE:

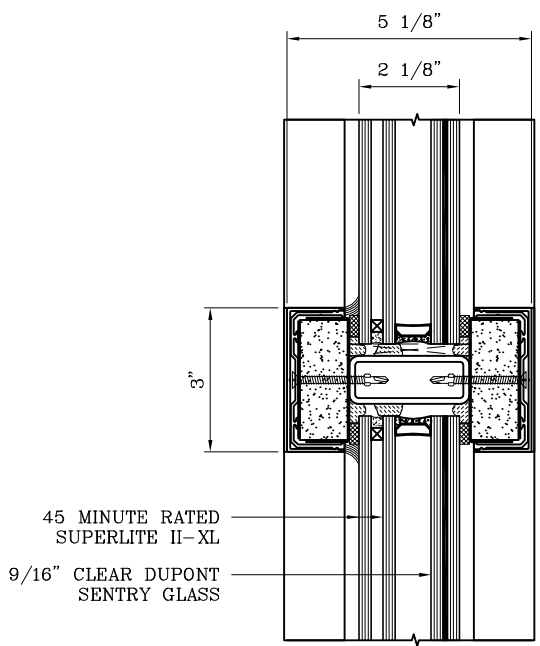
DRAWN:

SCALE:

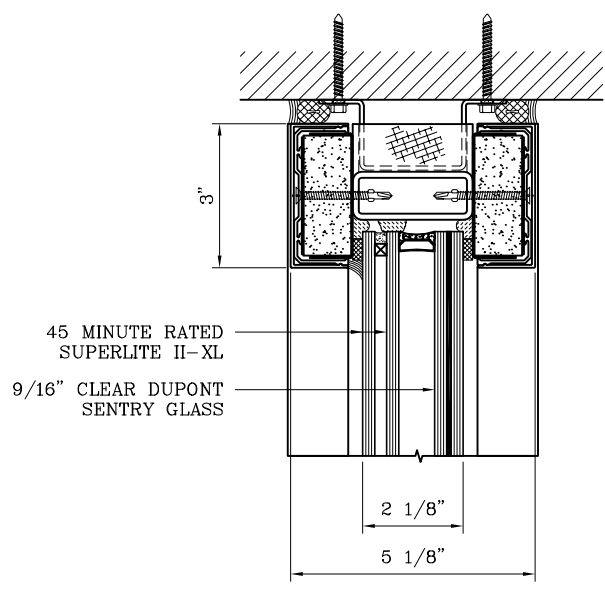
These details are subject to change without notice.

45 MINUTE FIRE RESISTIVE HURRICANE RATED OPENING

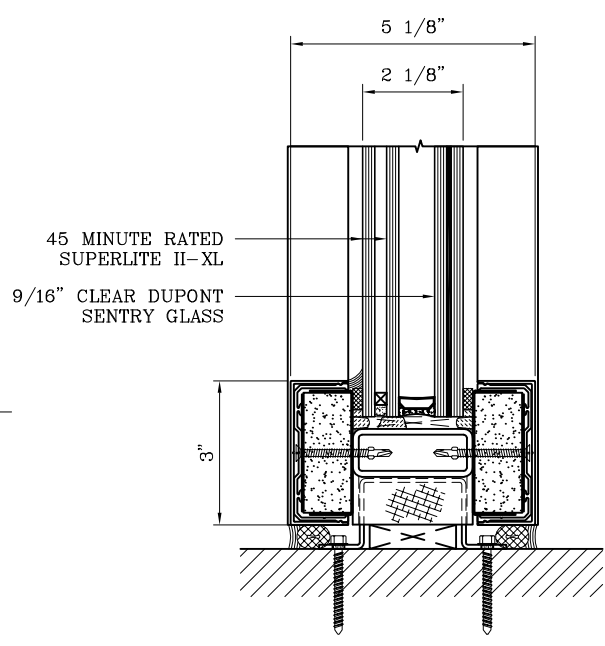
For more details, please visit www.safti.com



3 HORIZONTAL MULLION DETAIL



4 HEAD DETAIL



5 SILL DETAIL

SAFTIFIRST™
 FIRE RATED GLAZING SOLUTIONS Since 1982
 100 N. HILL DR. SUITE 12 TEL: (415) 824-4900
 BRISBANE, CA 94005 FAX: (415) 824-5900

SuperLite™ II-XL
GPX HURRICANE SYSTEM

DATE: _____
 DRAWN: _____ SCALE: _____

These details are subject to change without notice.