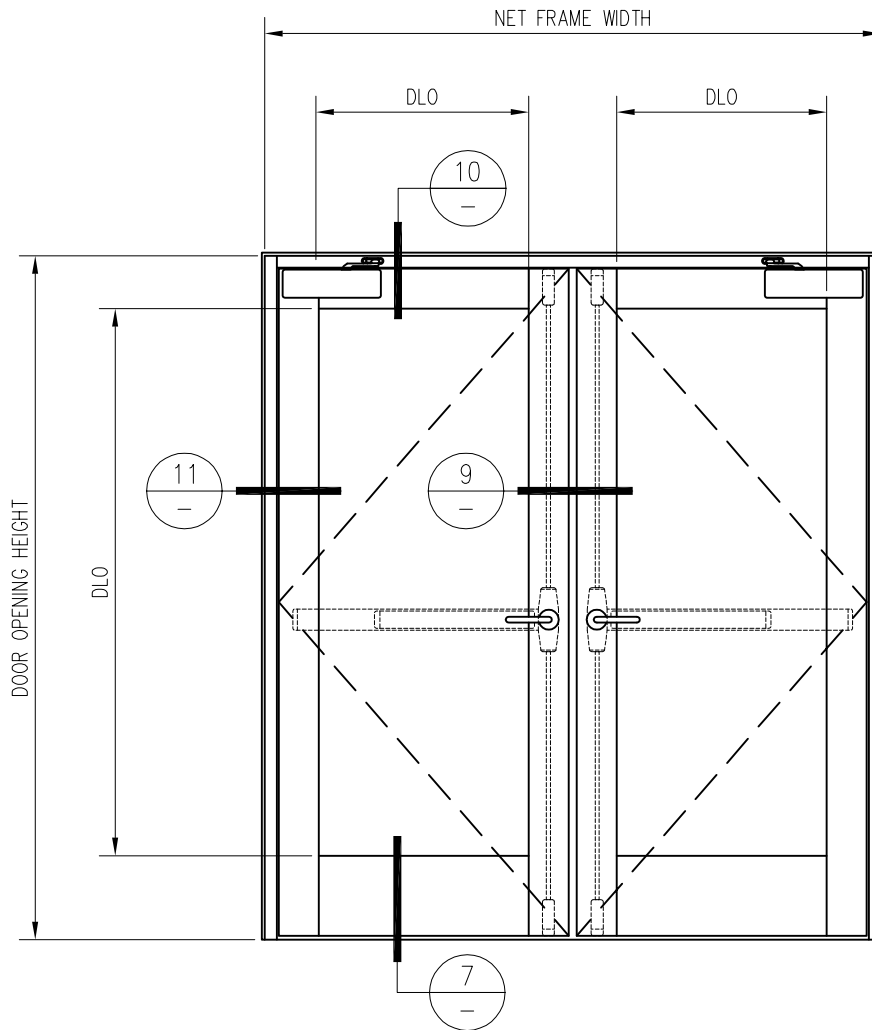


# 90 MINUTE FIRE RESISTIVE HURRICANE RATED DOOR PAIR

For more details, please visit [www.safti.com](http://www.safti.com)



**SAFTIFIRST™**  
 FIRE RATED GLAZING SOLUTIONS *Since 1982*  
 100 N. HILL DR. SUITE 12 TEL: (415) 824-4900  
 BRISBANE, CA 94005 FAX: (415) 824-5900

**SuperLite™ II-XL**  
**GPX HURRICANE SYSTEM**

DATE:

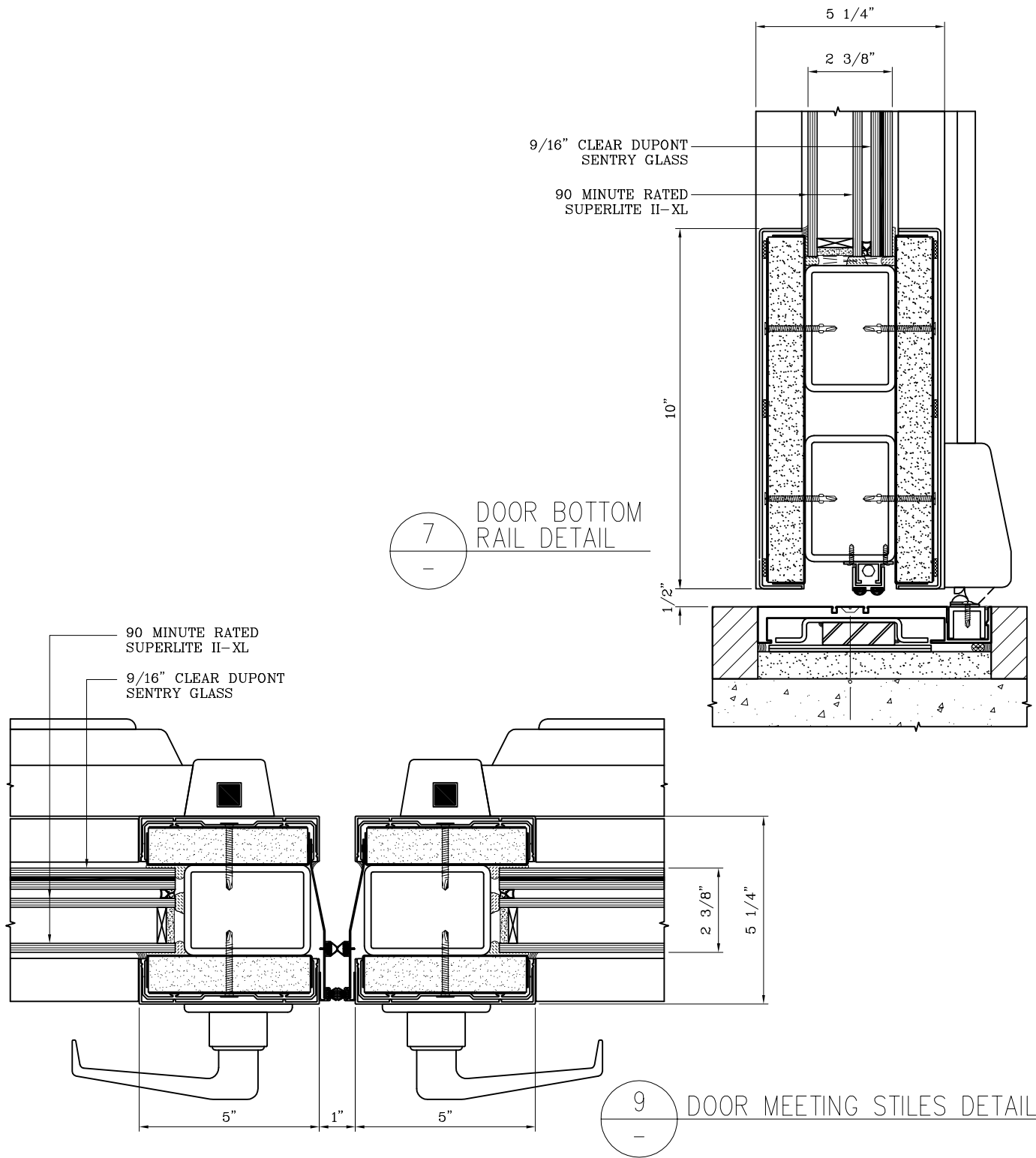
DRAWN:

SCALE:

These details are subject to change without notice.

# 90 MINUTE FIRE RESISTIVE HURRICANE RATED DOOR PAIR

For more details, please visit [www.safti.com](http://www.safti.com)



**SAFTIFIRST™**  
 FIRE RATED GLAZING SOLUTIONS *Since 1982*  
 100 N. HILL DR. SUITE 12 TEL: (415) 824-4900  
 BRISBANE, CA 94005 FAX: (415) 824-5900

**SuperLite™ II-XL**  
**GPX HURRICANE SYSTEM**

DATE:

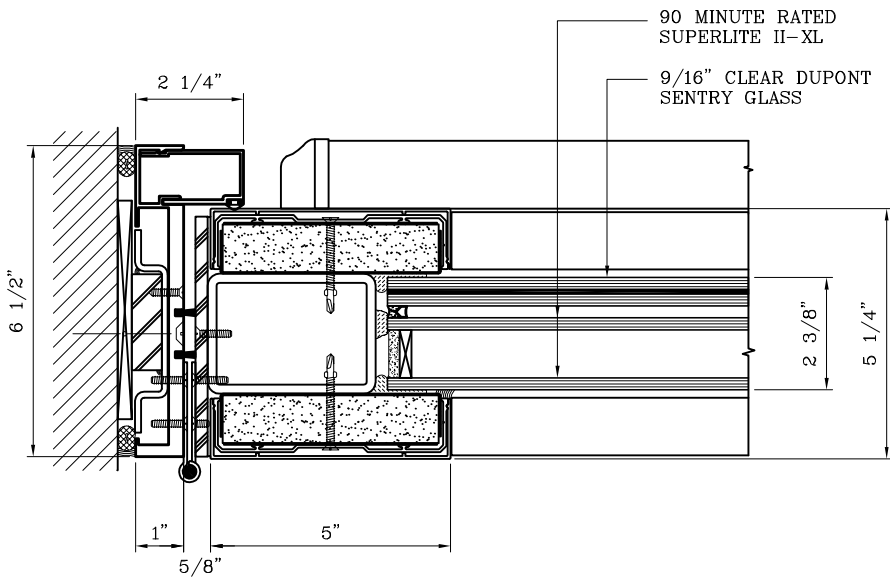
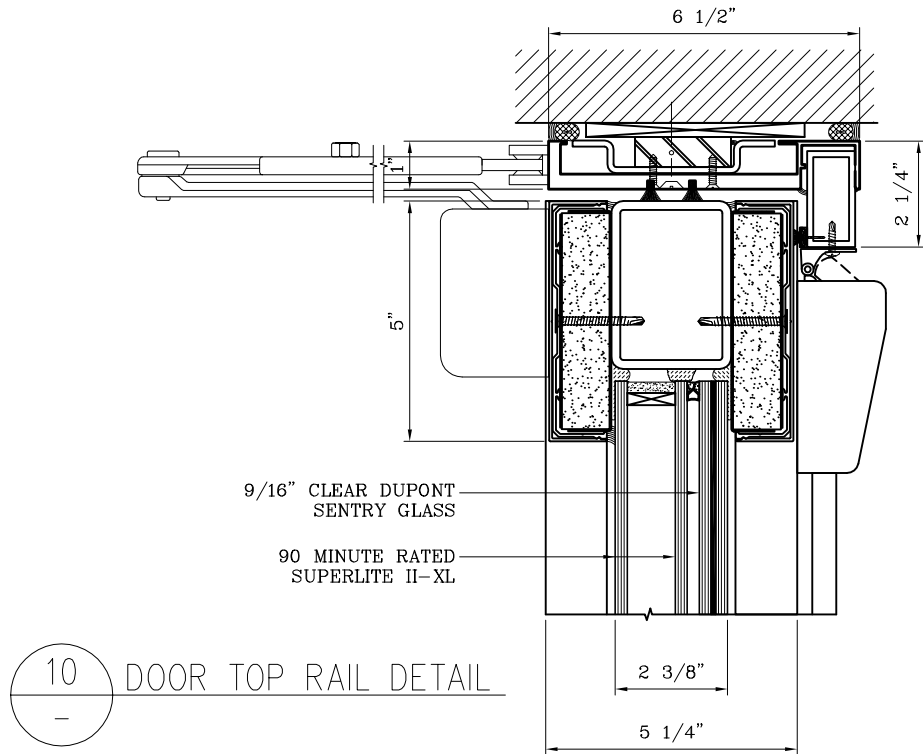
DRAWN:

SCALE:

These details are subject to change without notice.

# 90 MINUTE FIRE RESISTIVE HURRICANE RATED DOOR PAIR

For more details, please visit [www.safti.com](http://www.safti.com)



**SAFTIFIRST™**  
 FIRE RATED GLAZING SOLUTIONS Since 1982  
 100 N. HILL DR. SUITE 12 TEL: (415) 824-4900  
 BRISBANE, CA 94005 FAX: (415) 824-5900

**SuperLite™ II-XL**  
**GPX HURRICANE SYSTEM**

DATE:

DRAWN:

SCALE:

These details are subject to change without notice.