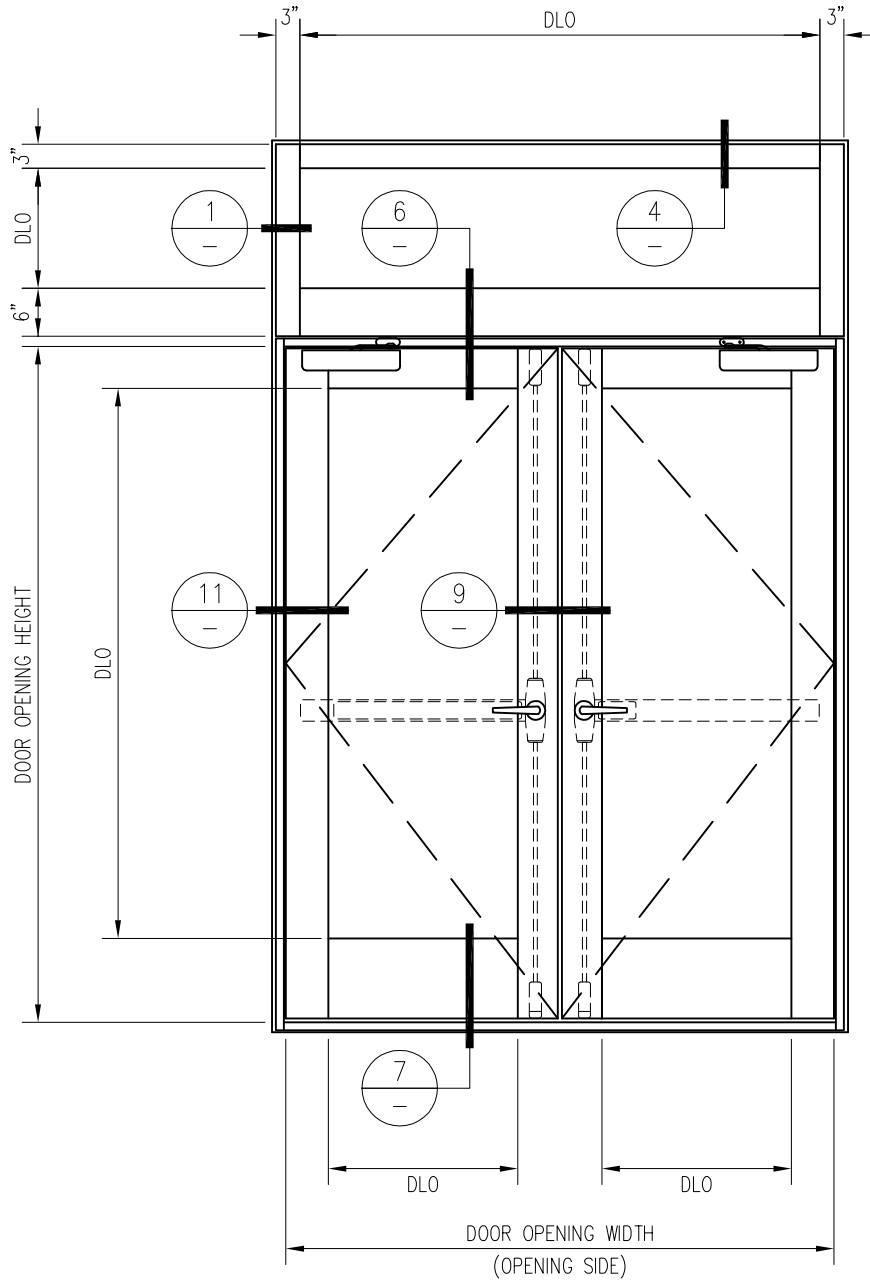


120 MINUTE FIRE RESISTIVE HURRICANE RATED TRANSOM WITH 90 MINUTE FIRE RESISTIVE HURRICANE RATED DOOR PAIR

For more details, please visit www.safti.com



SAFTIFIRST™
 FIRE RATED GLAZING SOLUTIONS *Since 1982*
 100 N. HILL DR. SUITE 12 TEL: (415) 824-4900
 BRISBANE, CA 94005 FAX: (415) 824-5900

SuperLite™ II-XL
GPX HURRICANE SYSTEM

DATE:

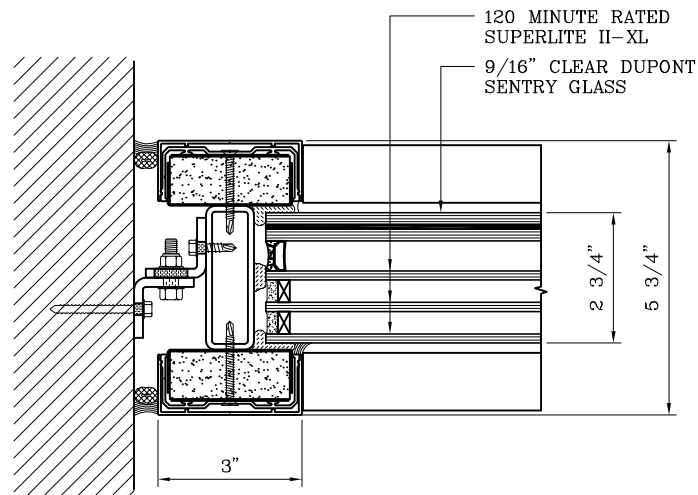
DRAWN:

SCALE:

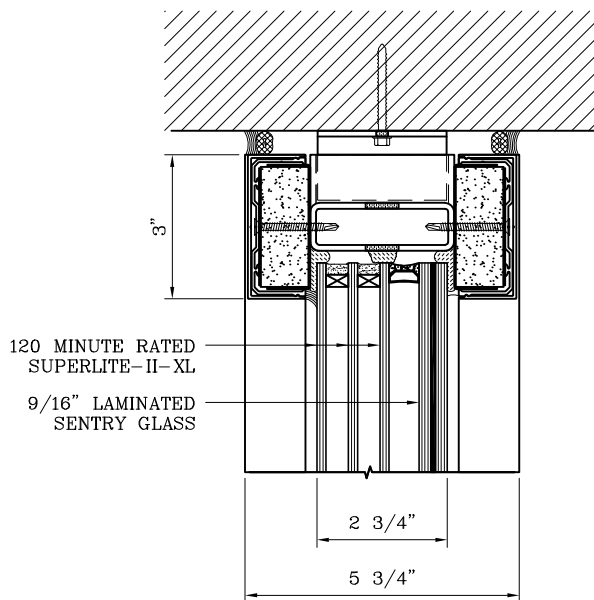
These details are subject to change without notice.

120 MINUTE FIRE RESISTIVE HURRICANE RATED TRANSOM WITH 90 MINUTE FIRE RESISTIVE HURRICANE RATED DOOR PAIR

For more details, please visit www.safti.com



1 JAMB DETAIL



4 HEAD DETAIL

SAFTIFIRST™
FIRE RATED GLAZING SOLUTIONS Since 1982
100 N. HILL DR. SUITE 12 TEL: (415) 824-4900
BRISBANE, CA 94005 FAX: (415) 824-5900

SuperLite™ II-XL
GPX HURRICANE SYSTEM

DATE:

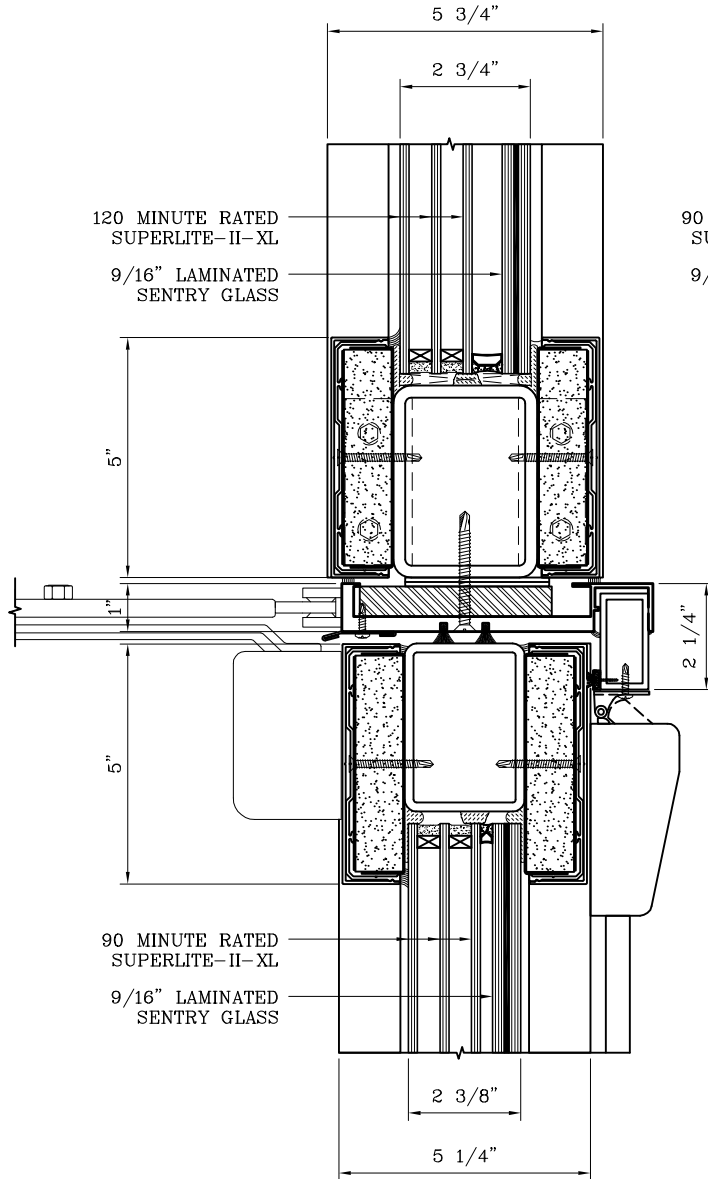
DRAWN:

SCALE:

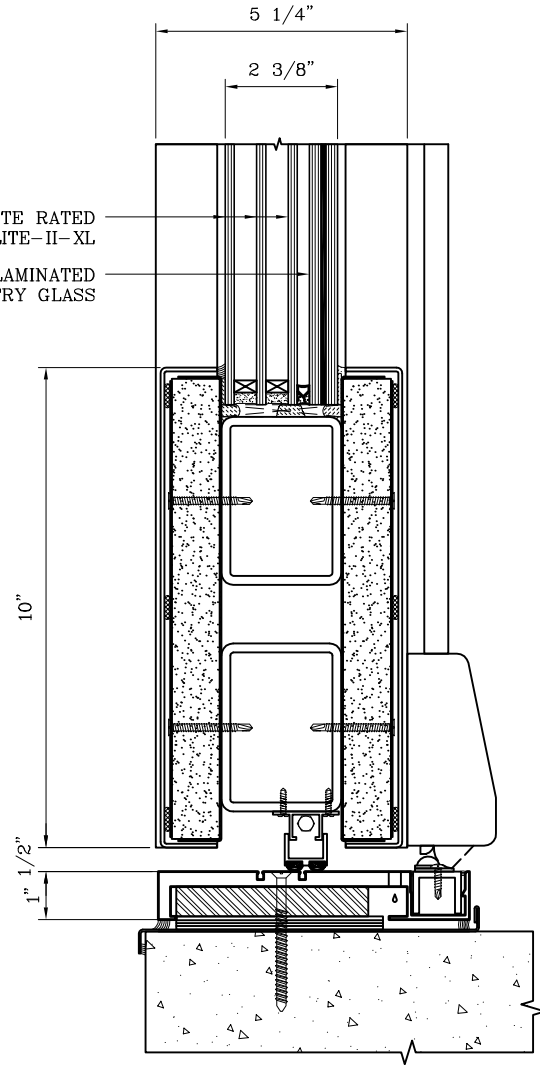
These details are subject to change without notice.

120 MINUTE FIRE RESISTIVE HURRICANE RATED TRANSOM WITH 90 MINUTE FIRE RESISTIVE HURRICANE RATED DOOR PAIR

For more details, please visit www.safti.com



6 DOOR TOP RAIL DETAIL



7 DOOR BOTTOM RAIL DETAIL

SAFTIFIRST™
 FIRE RATED GLAZING SOLUTIONS Since 1982
 100 N. HILL DR. SUITE 12 TEL: (415) 824-4900
 BRISBANE, CA 94005 FAX: (415) 824-5900

SuperLite™ II-XL
GPX HURRICANE SYSTEM

DATE:

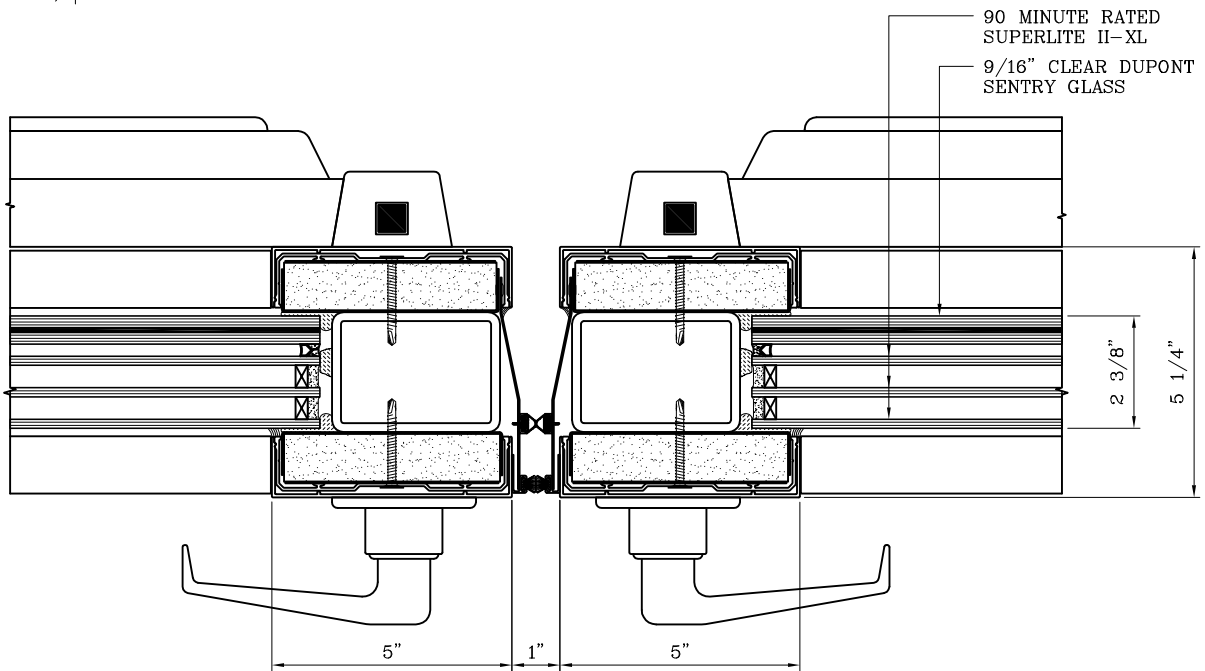
DRAWN:

SCALE:

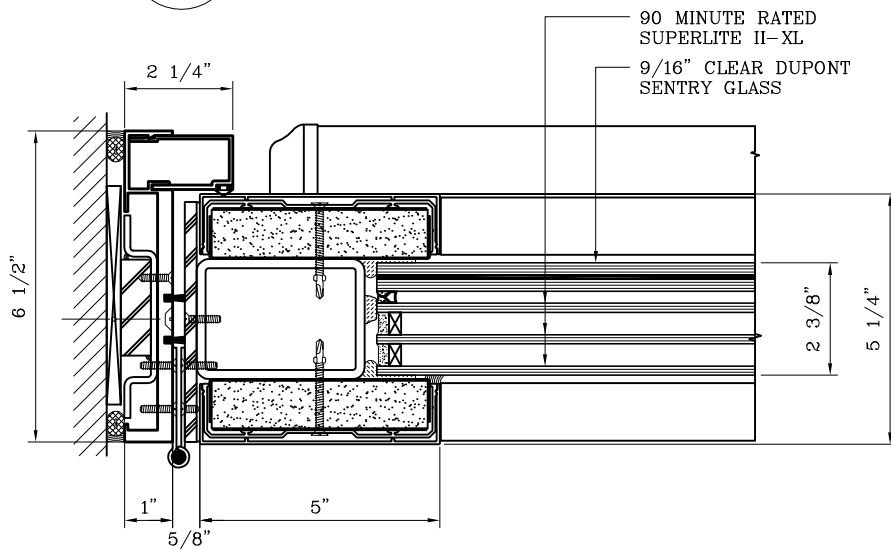
These details are subject to change without notice.

120 MINUTE FIRE RESISTIVE HURRICANE RATED TRANSOM WITH 90 MINUTE FIRE RESISTIVE HURRICANE RATED DOOR PAIR

For more details, please visit www.safti.com



9 DOOR MEETING STILES DETAIL



11 DOOR JAMB at HINGE DETAIL

SAFTIFIRST™
FIRE RATED GLAZING SOLUTIONS Since 1982
100 N. HILL DR. SUITE 12 TEL: (415) 824-4900
BRISBANE, CA 94005 FAX: (415) 824-5900

SuperLite™ II-XL
GPX HURRICANE SYSTEM

DATE:

DRAWN:

SCALE:

These details are subject to change without notice.