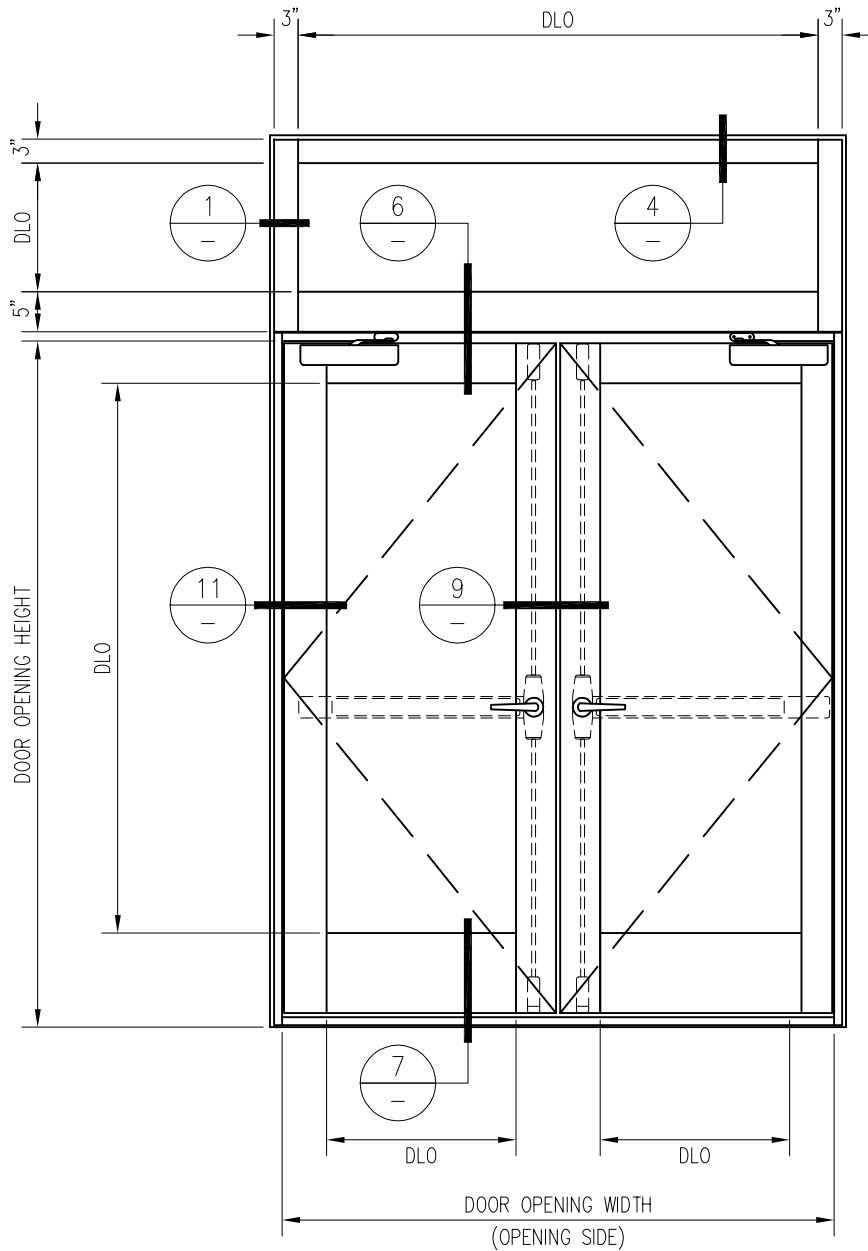


60 MINUTE FIRE RESISTIVE HURRICANE RATED TRANSOM WITH 60 MINUTE FIRE RESISTIVE HURRICANE RATED DOOR PAIR

For more details, please visit www.safti.com



SAFTIFIRST™
 FIRE RATED GLAZING SOLUTIONS Since 1982
 100 N. HILL DR. SUITE 12 TEL: (415) 824-4900
 BRISBANE, CA 94005 FAX: (415) 824-5900

SuperLite™ II-XL
GPX HURRICANE SYSTEM

DATE:

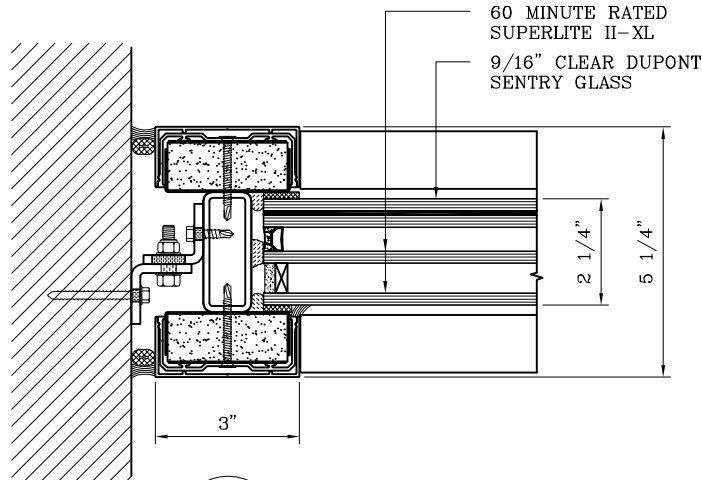
DRAWN:

SCALE:

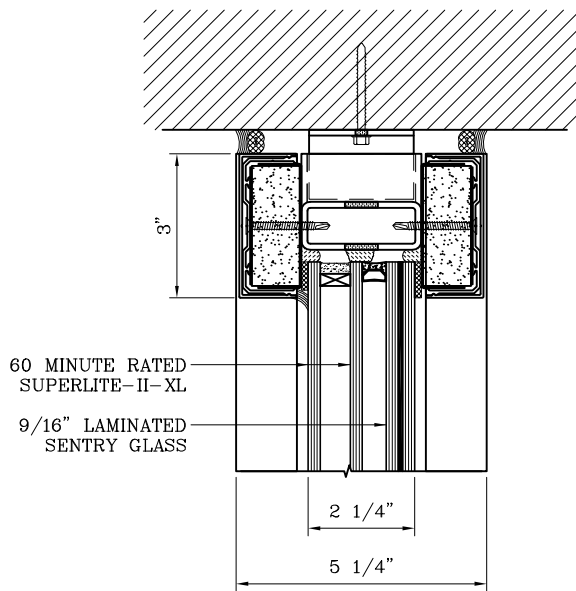
These details are subject to change without notice.

60 MINUTE FIRE RESISTIVE HURRICANE RATED TRANSOM WITH 60 MINUTE FIRE RESISTIVE HURRICANE RATED DOOR PAIR

For more details, please visit www.safti.com



1 JAMB DETAIL



4 HEAD DETAIL

SAFTIFIRST™
 FIRE RATED GLAZING SOLUTIONS *Since 1982*
 100 N. HILL DR. SUITE 12 TEL: (415) 824-4900
 BRISBANE, CA 94005 FAX: (415) 824-5900

SuperLite™ II-XL
GPX HURRICANE SYSTEM

DATE:

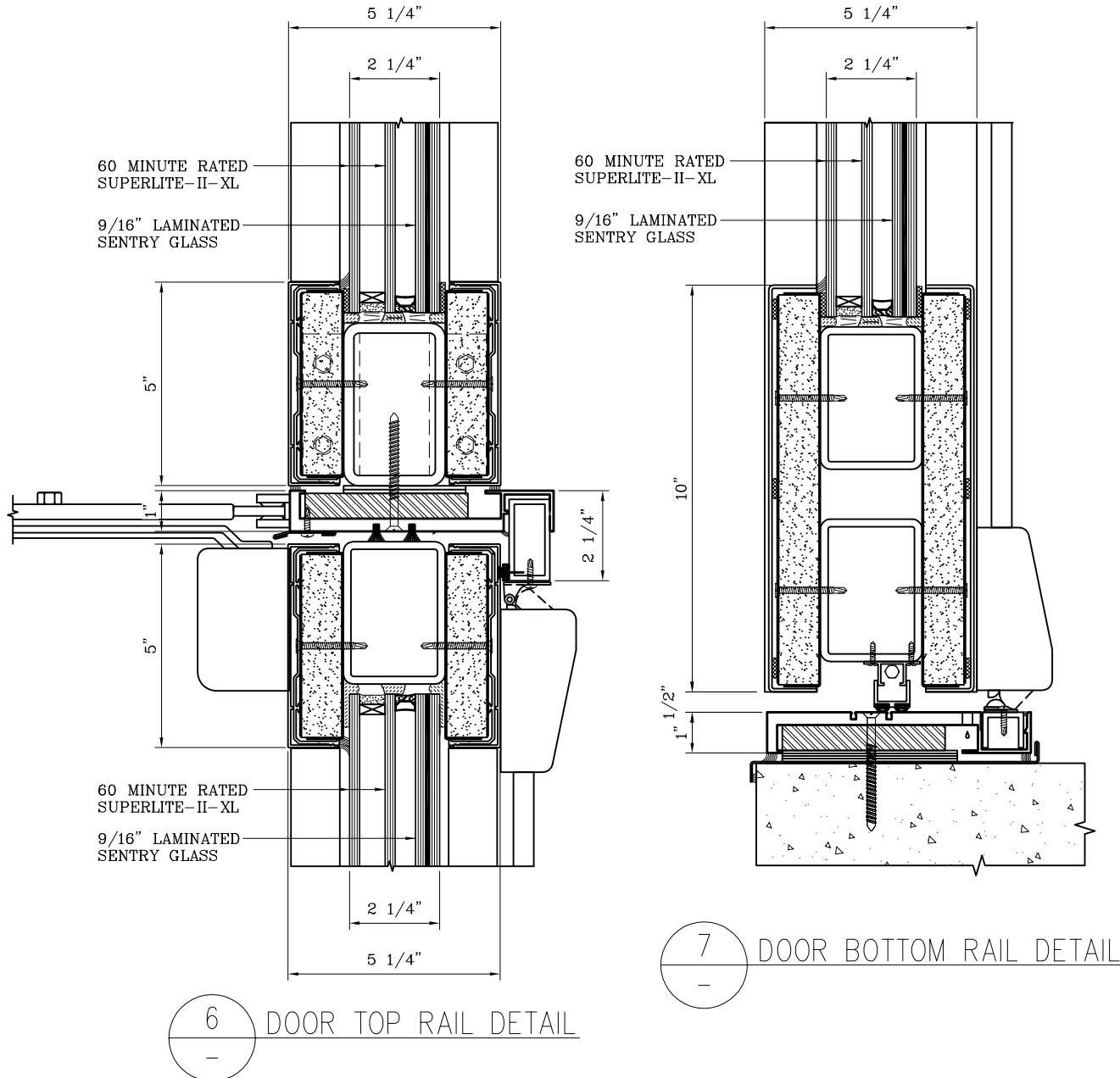
DRAWN:

SCALE:

These details are subject to change without notice.

60 MINUTE FIRE RESISTIVE HURRICANE RATED TRANSOM WITH 60 MINUTE FIRE RESISTIVE HURRICANE RATED DOOR PAIR

For more details, please visit www.safti.com



SAFTIFIRST™
FIRE RATED GLAZING SOLUTIONS Since 1982
100 N. HILL DR. SUITE 12 TEL: (415) 824-4900
BRISBANE, CA 94005 FAX: (415) 824-5900

SuperLite™ II-XL
GPX HURRICANE SYSTEM

DATE:

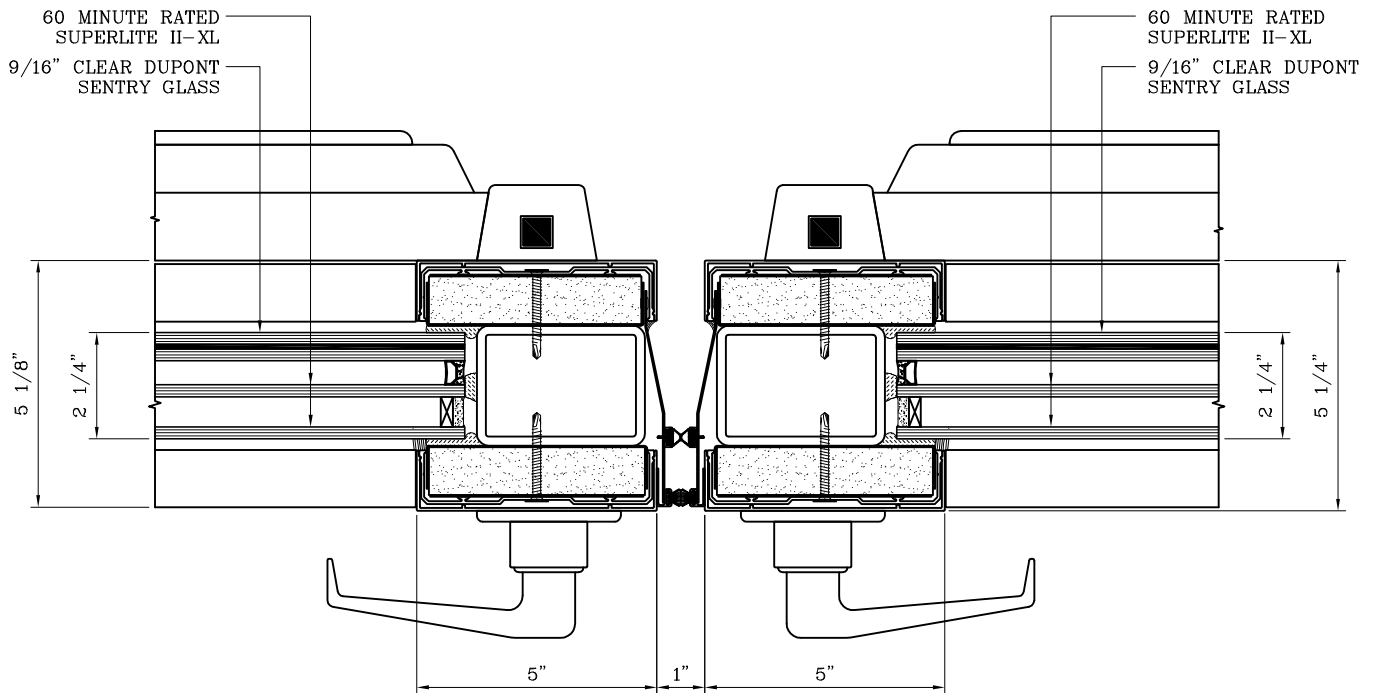
DRAWN:

SCALE:

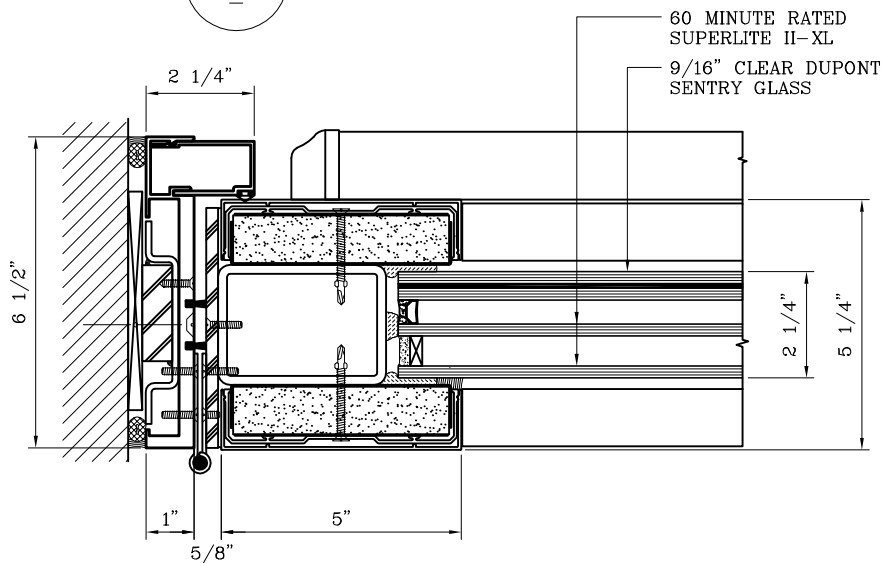
These details are subject to change without notice.

60 MINUTE FIRE RESISTIVE HURRICANE RATED TRANSOM WITH 60 MINUTE FIRE RESISTIVE HURRICANE RATED DOOR PAIR

For more details, please visit www.safti.com



9 DOOR MEETING STILES DETAIL



11 DOOR JAMB at HINGE DETAIL

SAFTIFIRST™
FIRE RATED GLAZING SOLUTIONS Since 1982
100 N. HILL DR. SUITE 12 TEL: (415) 824-4900
BRISBANE, CA 94005 FAX: (415) 824-5900

SuperLite™ II-XL
GPX HURRICANE SYSTEM

DATE:

DRAWN:

SCALE:

These details are subject to change without notice.