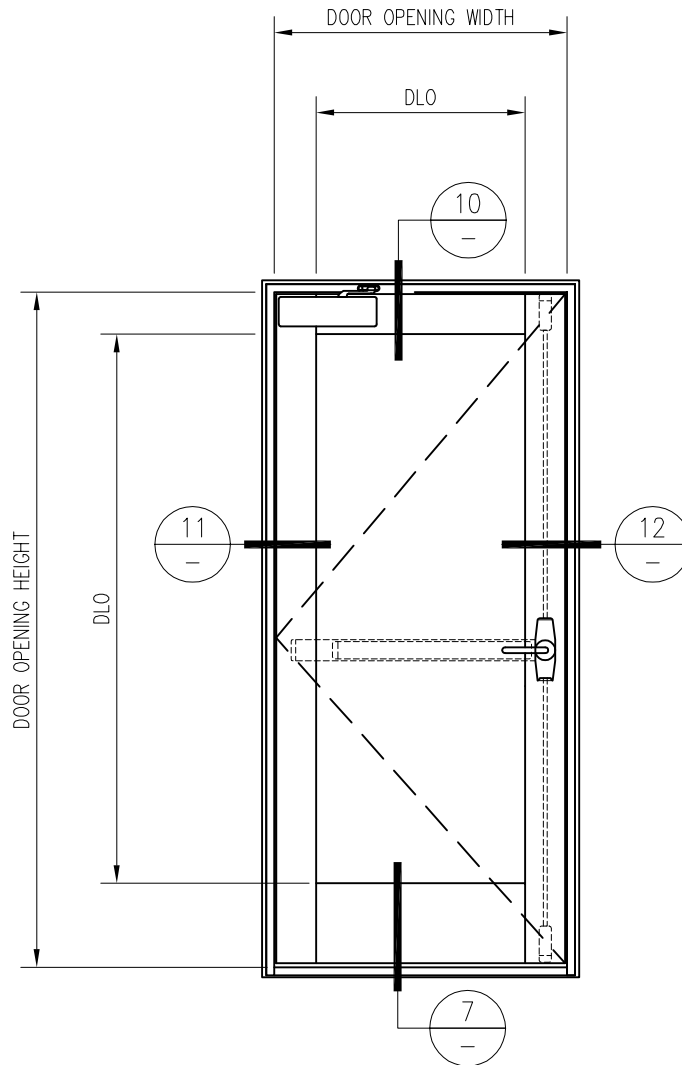


60 MINUTE FIRE RESISTIVE HURRICANE RATED SINGLE DOOR – WITH FLORIDA PRODUCT APPROVAL –

For more details, please visit www.safti.com



SAFTIFIRST™
 FIRE RATED GLAZING SOLUTIONS *Since 1982*
 100 N. HILL DR. SUITE 12 TEL: (415) 824-4900
 BRISBANE, CA 94005 FAX: (415) 824-5900

SuperLite™ II-XL
GPX HURRICANE SYSTEM
FLORIDA PRODUCT APPROVAL

DATE:

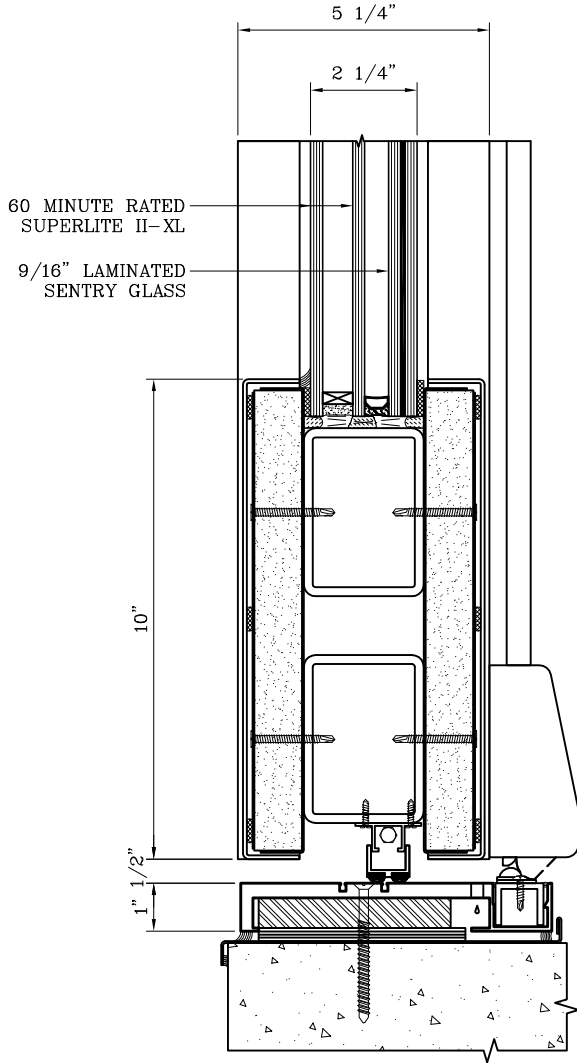
DRAWN:

SCALE:

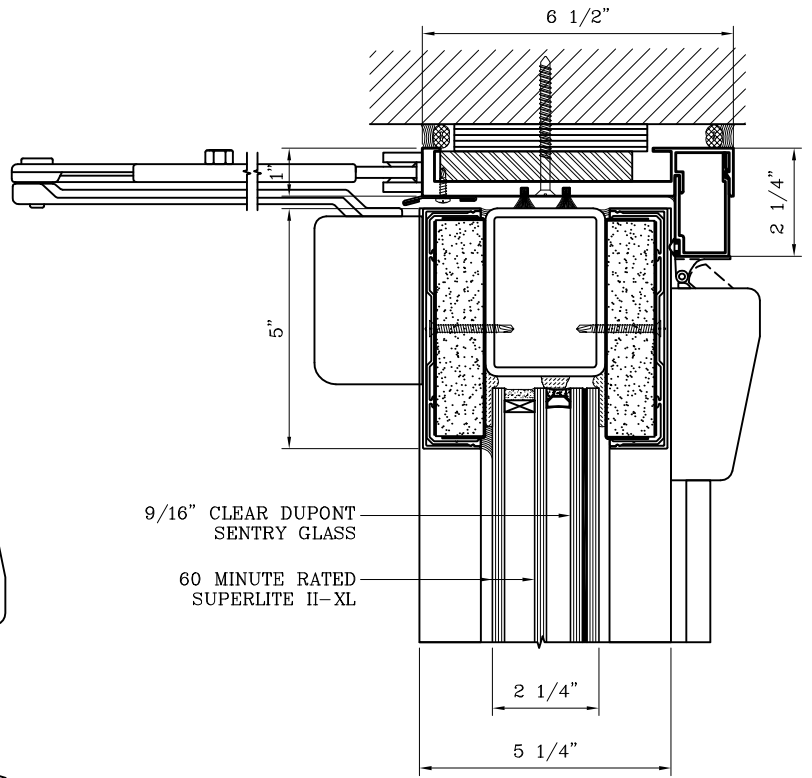
These details are subject to change without notice.

60 MINUTE FIRE RESISTIVE HURRICANE RATED SINGLE DOOR – WITH FLORIDA PRODUCT APPROVAL –

For more details, please visit www.safti.com



7
 —
 DOOR BOTTOM RAIL DETAIL



10
 —
 DOOR TOP RAIL DETAIL

SAFTIFIRST™
 FIRE RATED GLAZING SOLUTIONS Since 1982
 100 N. HILL DR. SUITE 12 TEL: (415) 824-4900
 BRISBANE, CA 94005 FAX: (415) 824-5900

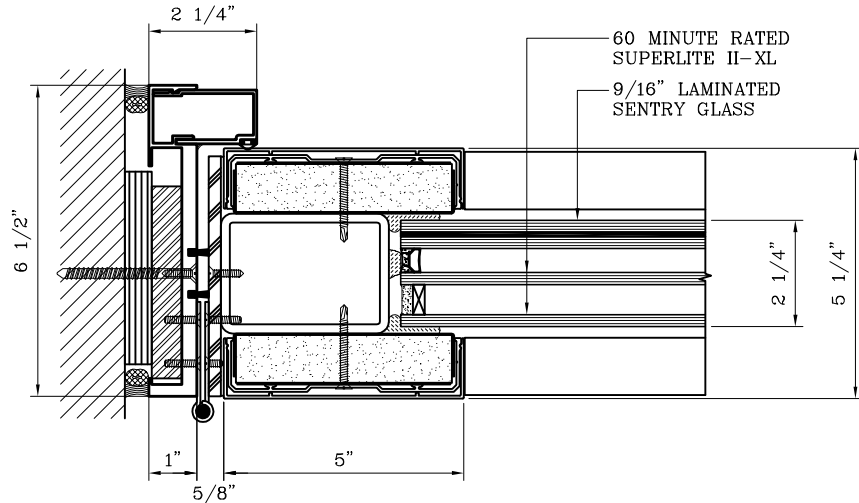
SuperLite™ II-XL
GPX HURRICANE SYSTEM
FLORIDA PRODUCT APPROVAL

DATE: _____
 DRAWN: _____ SCALE: _____

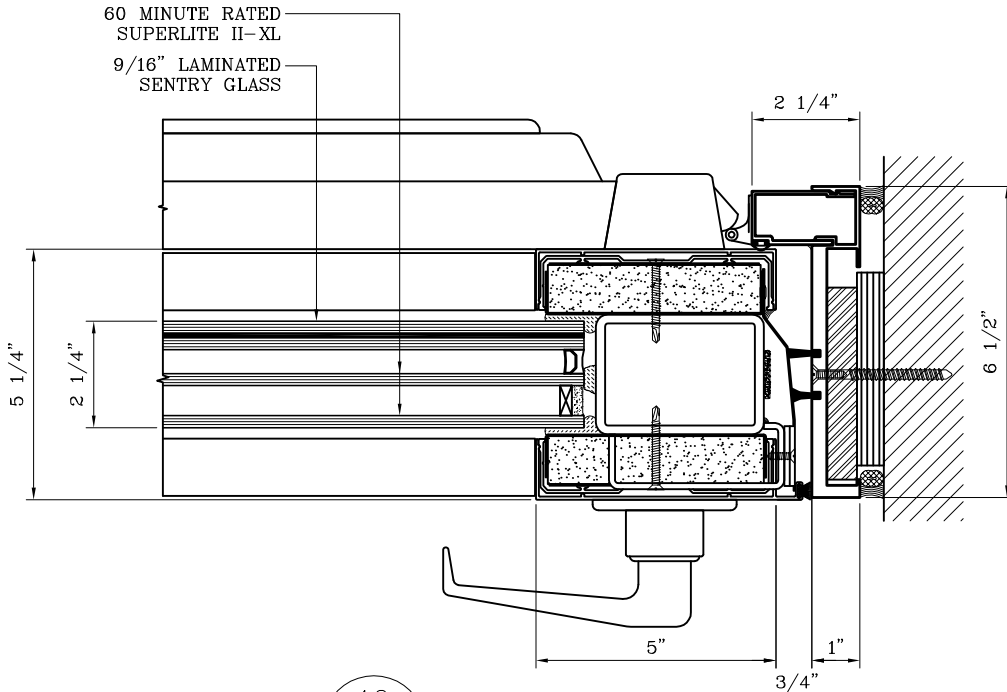
These details are subject to change without notice.

60 MINUTE FIRE RESISTIVE HURRICANE RATED SINGLE DOOR – WITH FLORIDA PRODUCT APPROVAL –

For more details, please visit www.safti.com



11 DOOR JAMB at HINGE DETAIL



12 JAMB @ LOCK

SAFTIFIRST™
 FIRE RATED GLAZING SOLUTIONS Since 1982
 100 N. HILL DR. SUITE 12 TEL: (415) 824-4900
 BRISBANE, CA 94005 FAX: (415) 824-5900

SuperLite™ II-XL
GPX HURRICANE SYSTEM
FLORIDA PRODUCT APPROVAL

DATE:

DRAWN:

SCALE:

These details are subject to change without notice.