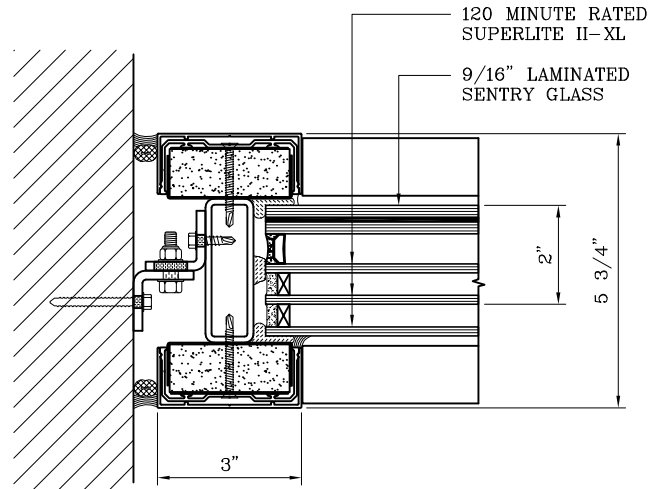




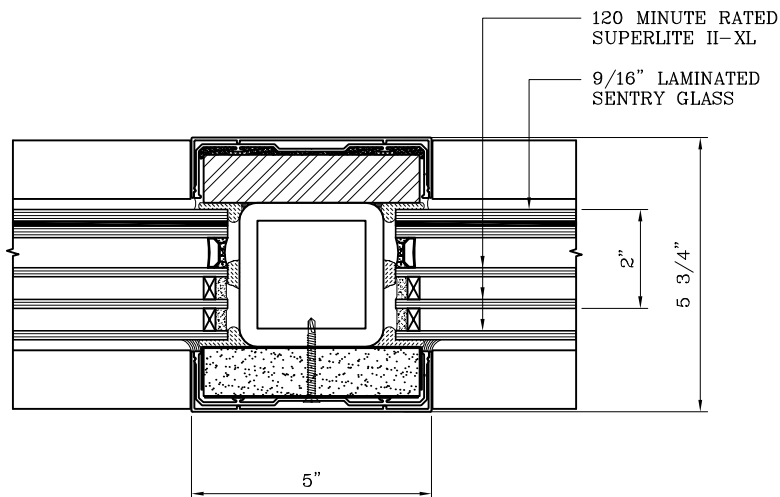
# 120 MINUTE FIRE RESISTIVE HURRICANE RATED WALL/WINDOW

— WITH FLORIDA PRODUCT APPROVAL —

For more details, please visit [www.safti.com](http://www.safti.com)



1 JAMB DETAIL



2 VERTICAL MULLION DETAIL

**SAFTIFIRST**™  
 FIRE RATED GLAZING SOLUTIONS Since 1982  
 100 N. HILL DR. SUITE 12 TEL: (415) 824-4900  
 BRISBANE, CA 94005 FAX: (415) 824-5900

**SuperLite™ II-XL**  
**GPX HURRICANE SYSTEM**  
FLORIDA PRODUCT APPROVAL

DATE:

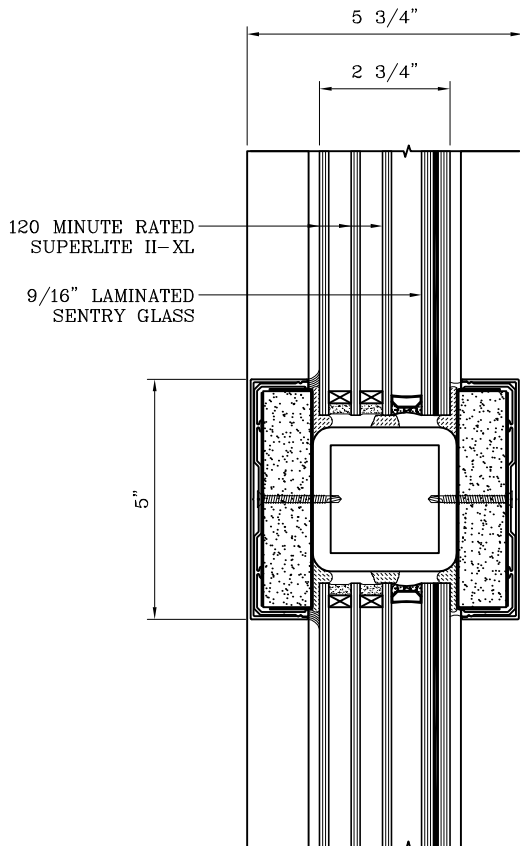
DRAWN:

SCALE:

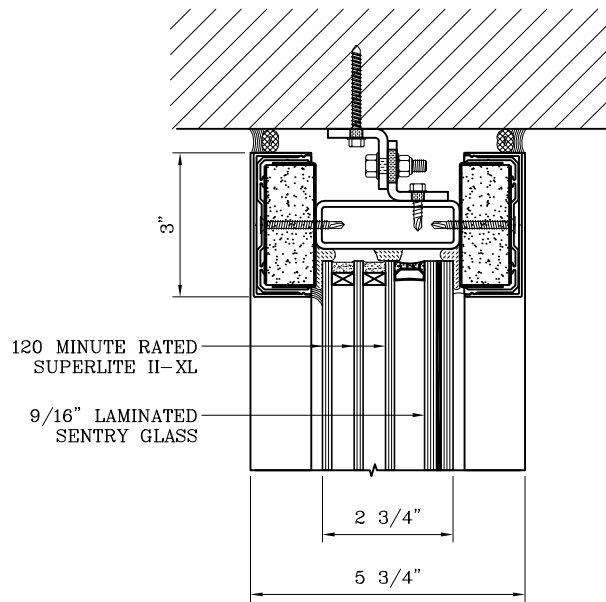
These details are subject to change without notice.

# 120 MINUTE FIRE RESISTIVE HURRICANE RATED WALL/WINDOW – WITH FLORIDA PRODUCT APPROVAL –

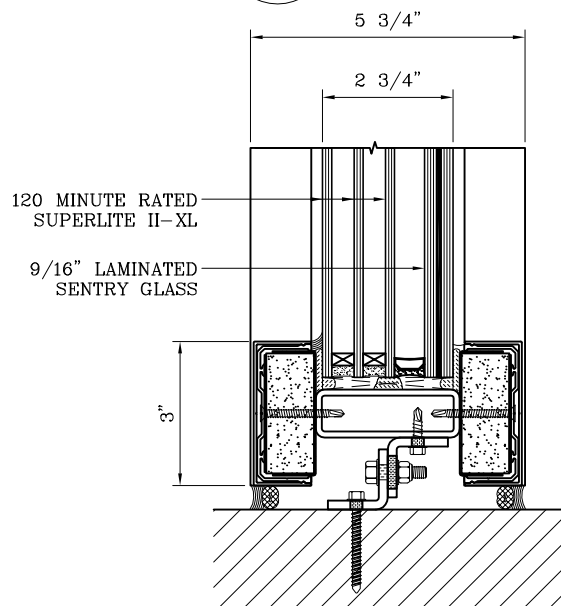
For more details, please visit [www.safti.com](http://www.safti.com)



3 HORIZONTAL MULLION DETAIL



4 HEAD DETAIL



5 SILL DETAIL

**SAFTIFIRST™**  
 FIRE RATED GLAZING SOLUTIONS Since 1982  
 100 N. HILL DR. SUITE 12 TEL: (415) 824-4900  
 BRISBANE, CA 94005 FAX: (415) 824-5900

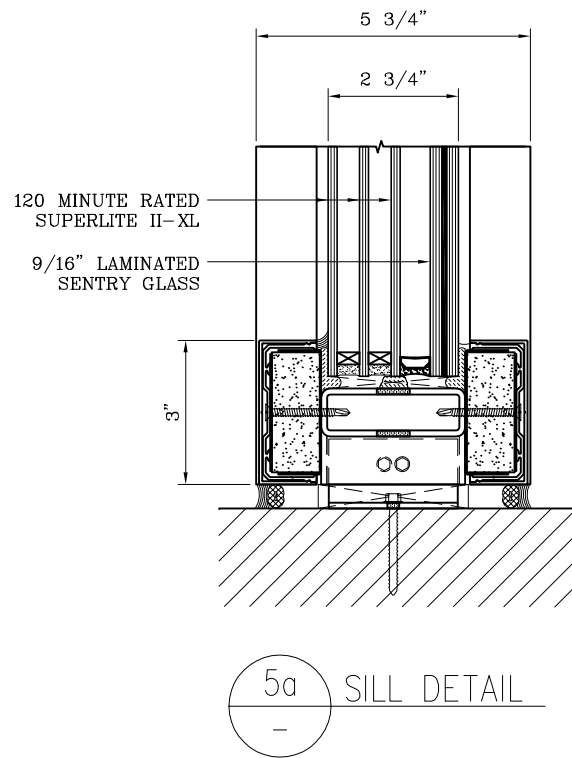
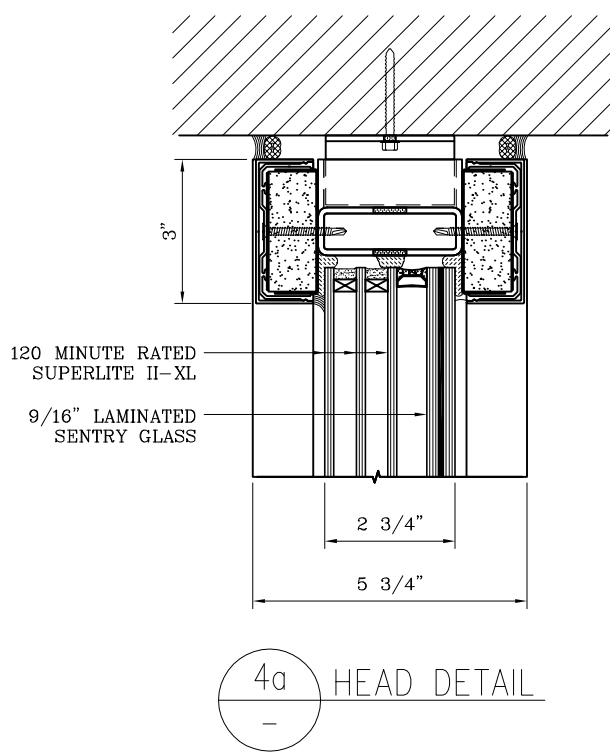
**SuperLite™ II-XL**  
**GPX HURRICANE SYSTEM**  
FLORIDA PRODUCT APPROVAL

DATE:	
DRAWN:	SCALE:

These details are subject to change without notice.

# 120 MINUTE FIRE RESISTIVE HURRICANE RATED WALL/WINDOW – WITH FLORIDA PRODUCT APPROVAL –

For more details, please visit [www.safti.com](http://www.safti.com)



**SAFTIFIRST™**  
 FIRE RATED GLAZING SOLUTIONS Since 1982  
 100 N. HILL DR. SUITE 12 TEL: (415) 824-4900  
 BRISBANE, CA 94005 FAX: (415) 824-5900

**SuperLite™ II-XL**  
**GPX HURRICANE SYSTEM**  
FLORIDA PRODUCT APPROVAL

DATE:

DRAWN:

SCALE:

These details are subject to change without notice.