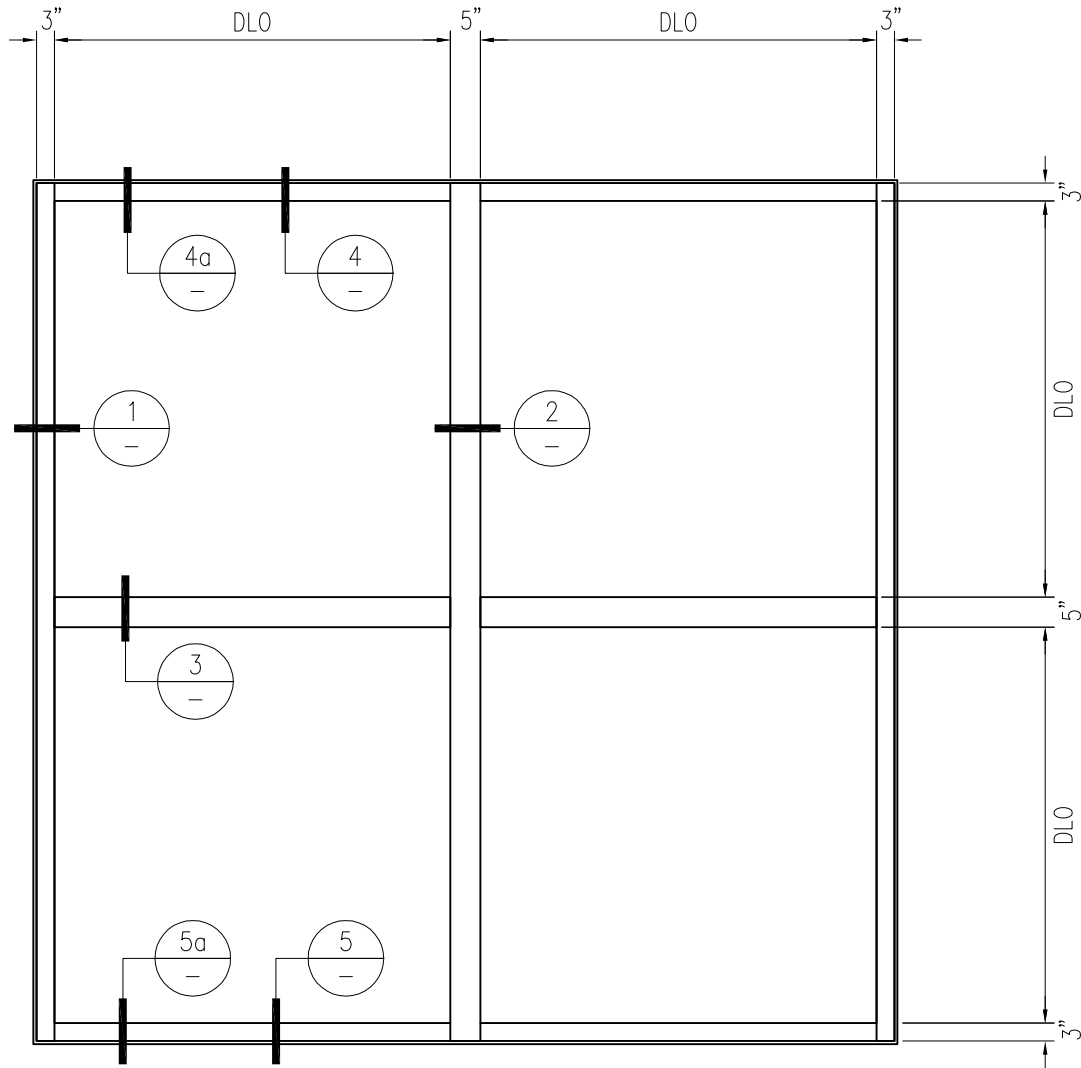


# 60 MINUTE FIRE RESISTIVE HURRICANE RATED WALL/WINDOW — WITH FLORIDA PRODUCT APPROVAL —

For more details, please visit [www.safti.com](http://www.safti.com)



**SAFTIFIRST™**  
 FIRE RATED GLAZING SOLUTIONS *Since 1982*  
 100 N. HILL DR. SUITE 12 TEL: (415) 824-4900  
 BRISBANE, CA 94005 FAX: (415) 824-5900

**SuperLite™ II-XL**  
**GPX HURRICANE SYSTEM**  
FLORIDA PRODUCT APPROVAL

DATE:

DRAWN:

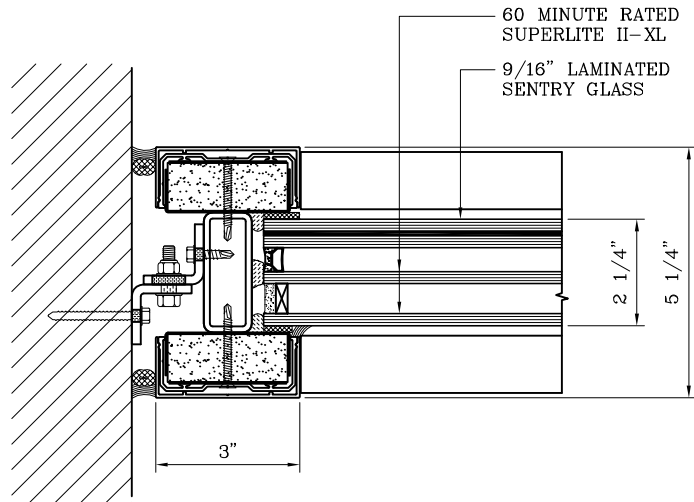
SCALE:

These details are subject to change without notice.

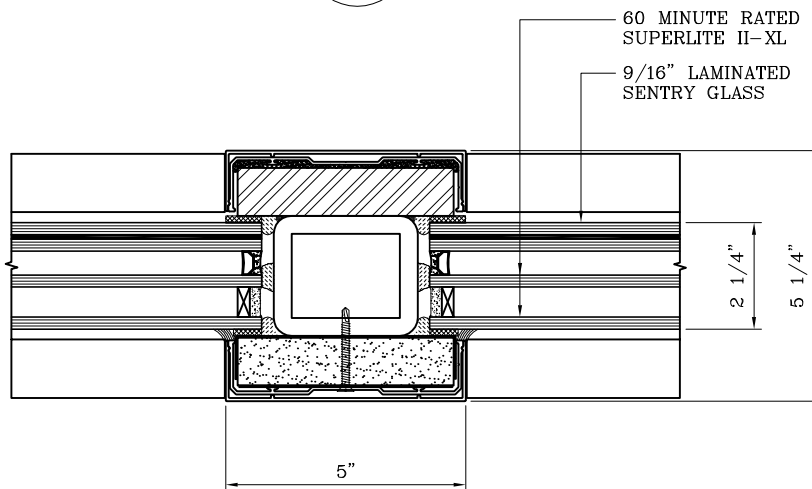
# 60 MINUTE FIRE RESISTIVE HURRICANE RATED WALL/WINDOW

— WITH FLORIDA PRODUCT APPROVAL —

For more details, please visit [www.safti.com](http://www.safti.com)



1 JAMB DETAIL



2 VERTICAL MULLION DETAIL

**SAFTIFIRST™**  
 FIRE RATED GLAZING SOLUTIONS Since 1982  
 100 N. HILL DR. SUITE 12 TEL: (415) 824-4900  
 BRISBANE, CA 94005 FAX: (415) 824-5900

**SuperLite™ II-XL**  
**GPX HURRICANE SYSTEM**  
FLORIDA PRODUCT APPROVAL

DATE:

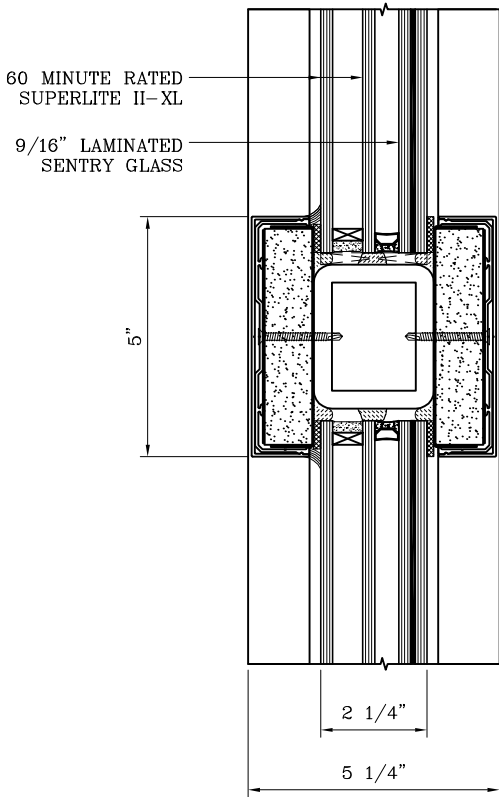
DRAWN:

SCALE:

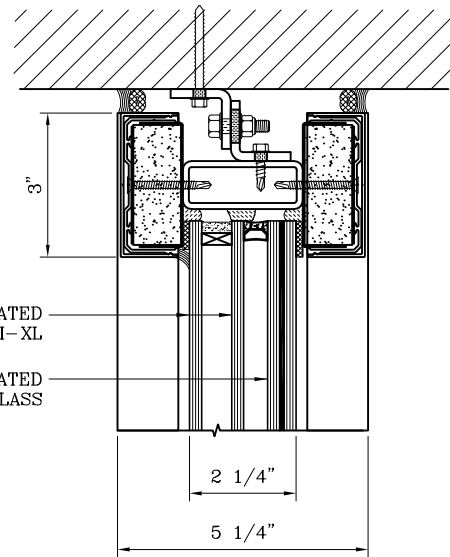
These details are subject to change without notice.

# 60 MINUTE FIRE RESISTIVE HURRICANE RATED WALL/WINDOW — WITH FLORIDA PRODUCT APPROVAL —

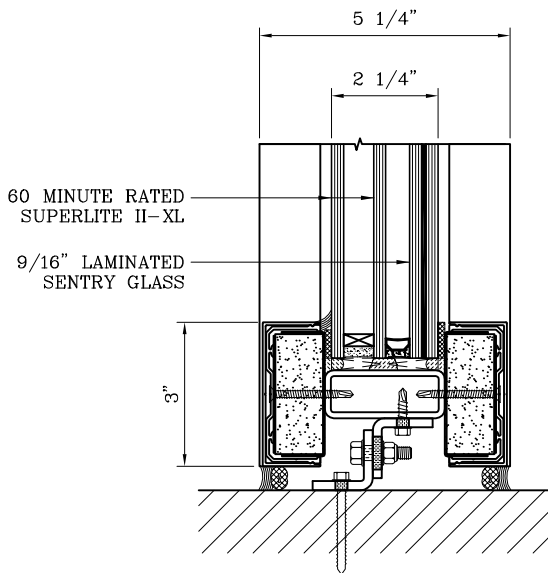
For more details, please visit [www.safti.com](http://www.safti.com)



3 HORIZONTAL MULLION DETAIL



4 HEAD DETAIL



5 SILL DETAIL

**SAFTIFIRST™**  
 FIRE RATED GLAZING SOLUTIONS Since 1982  
 100 N. HILL DR. SUITE 12 TEL: (415) 824-4900  
 BRISBANE, CA 94005 FAX: (415) 824-5900

**SuperLite™ II-XL**  
**GPX HURRICANE SYSTEM**  
FLORIDA PRODUCT APPROVAL

DATE:

DRAWN:

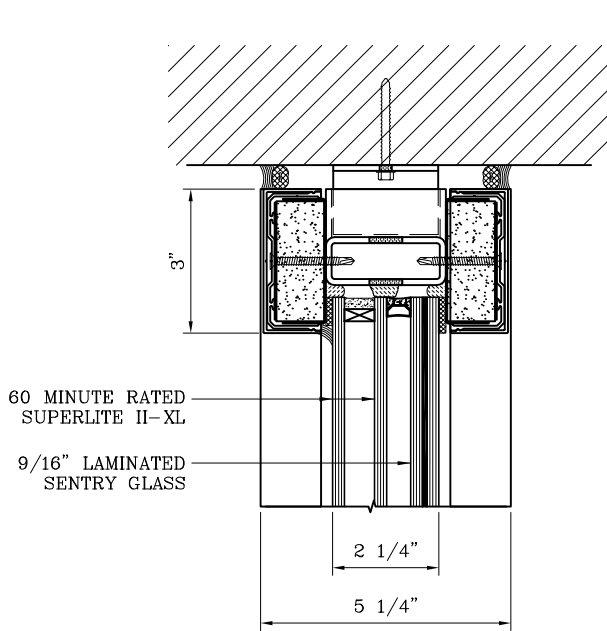
SCALE:

These details are subject to change without notice.

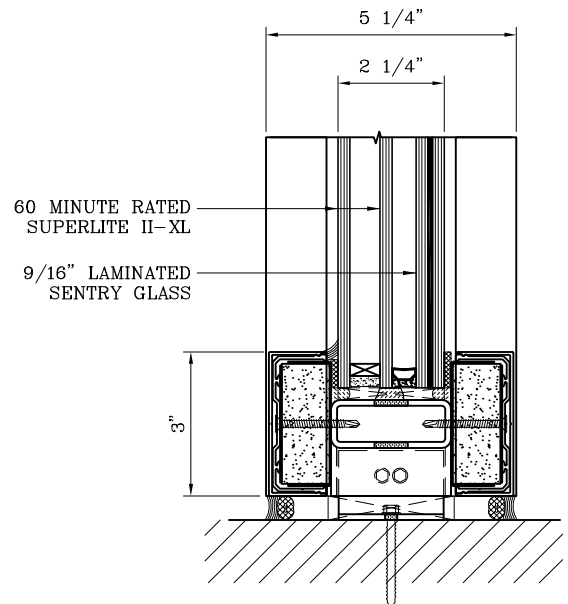
# 60 MINUTE FIRE RESISTIVE HURRICANE RATED WALL/WINDOW

## — WITH FLORIDA PRODUCT APPROVAL —

For more details, please visit [www.safti.com](http://www.safti.com)



4a HEAD DETAIL



5a SILL DETAIL

**SAFTIFIRST™**  
 FIRE RATED GLAZING SOLUTIONS Since 1982  
 100 N. HILL DR. SUITE 12 TEL: (415) 824-4900  
 BRISBANE, CA 94005 FAX: (415) 824-5900

**SuperLite™ II-XL**  
**GPX HURRICANE SYSTEM**  
FLORIDA PRODUCT APPROVAL

DATE:

DRAWN:

SCALE:

These details are subject to change without notice.