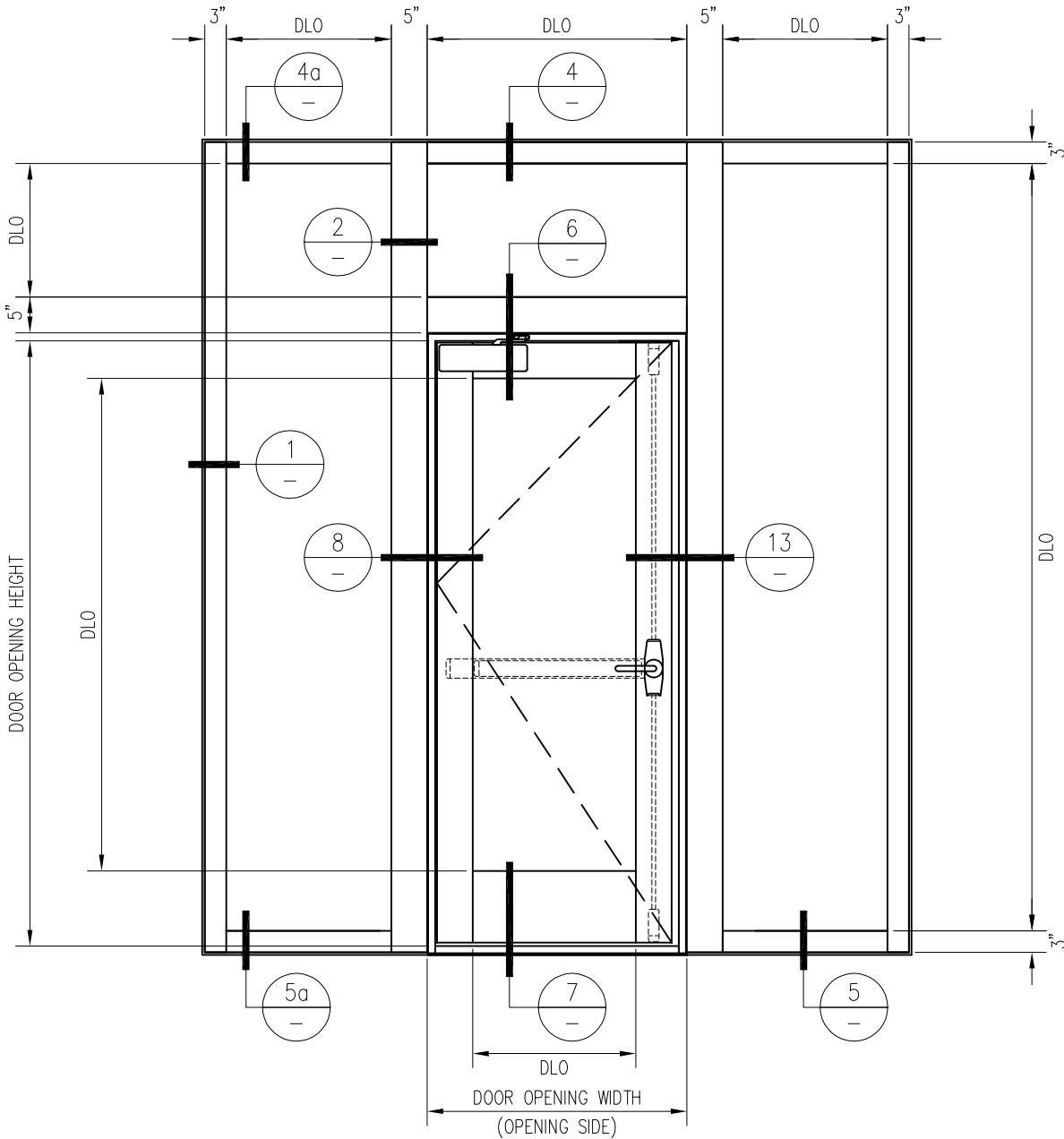


60 MINUTE FIRE RESISTIVE HURRICANE RATED WALL/WINDOW WITH 60 MINUTE FIRE RESISTIVE HURRICANE RATED SINGLE DOOR – WITH FLORIDA PRODUCT APPROVAL –

For more details, please visit www.safti.com



SAFTIFIRST™
 FIRE RATED GLAZING SOLUTIONS Since 1982
 100 N. HILL DR. SUITE 12 TEL: (415) 824-4900
 BRISBANE, CA 94005 FAX: (415) 824-5900

SuperLite™ II-XL
GPX HURRICANE SYSTEM
FLORIDA PRODUCT APPROVAL

DATE:

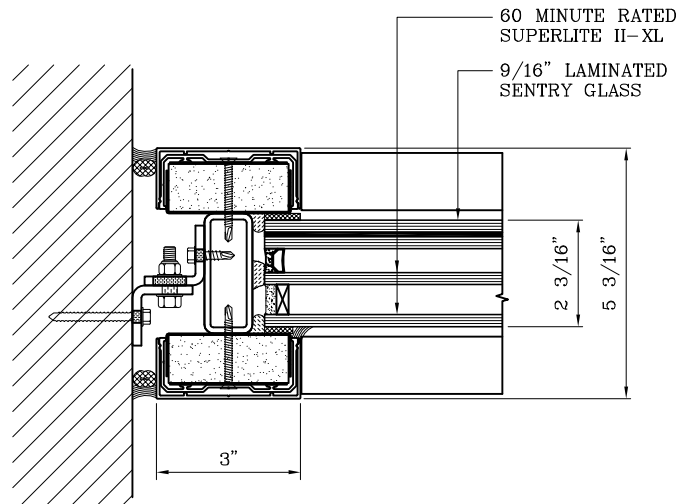
DRAWN:

SCALE:

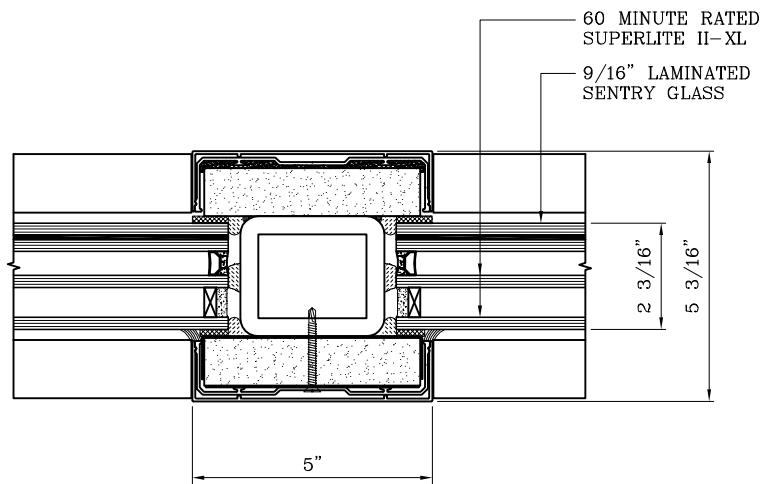
These details are subject to change without notice.

60 MINUTE FIRE RESISTIVE HURRICANE RATED WALL/WINDOW WITH 60 MINUTE FIRE RESISTIVE HURRICANE RATED SINGLE DOOR — WITH FLORIDA PRODUCT APPROVAL —

For more details, please visit www.safti.com



1 JAMB DETAIL



2 VERTICAL MULLION DETAIL

SAFTIFIRST™
FIRE RATED GLAZING SOLUTIONS Since 1982
100 N. HILL DR. SUITE 12 TEL: (415) 824-4900
BRISBANE, CA 94005 FAX: (415) 824-5900

SuperLite™ II-XL
GPX HURRICANE SYSTEM
FLORIDA PRODUCT APPROVAL

DATE:

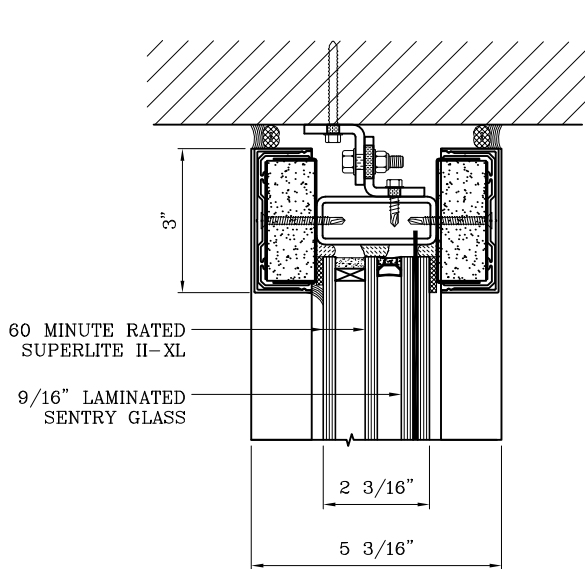
DRAWN:

SCALE:

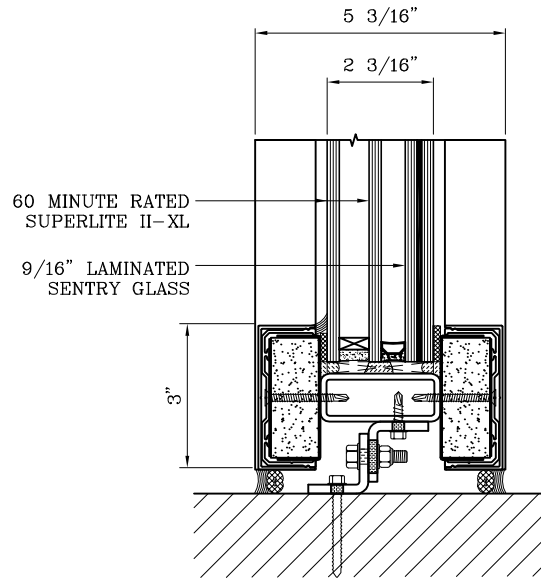
These details are subject to change without notice.

60 MINUTE FIRE RESISTIVE HURRICANE RATED WALL/WINDOW WITH 60 MINUTE FIRE RESISTIVE HURRICANE RATED SINGLE DOOR — WITH FLORIDA PRODUCT APPROVAL —

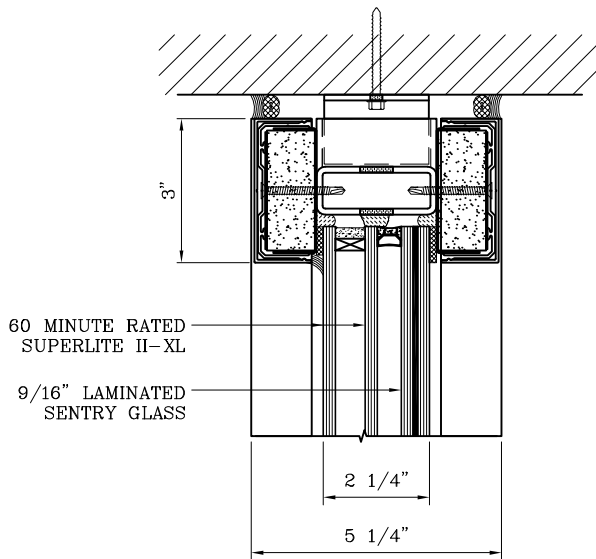
For more details, please visit www.safti.com



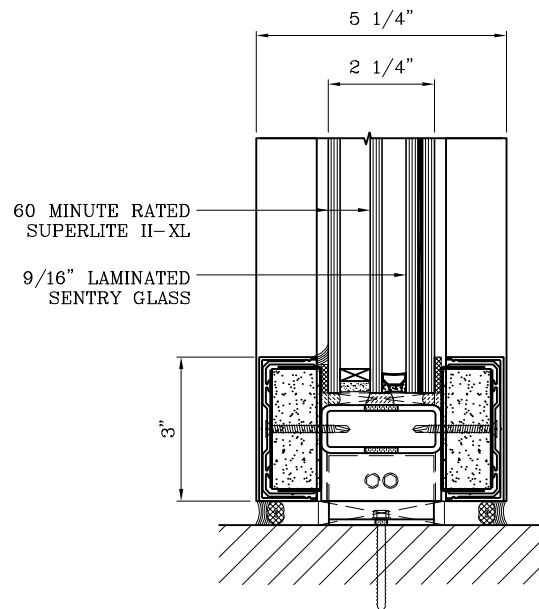
4 HEAD DETAIL



5 SILL DETAIL



4a HEAD DETAIL



5a SILL DETAIL

SAFTIFIRST™
FIRE RATED GLAZING SOLUTIONS Since 1982
100 N. HILL DR. SUITE 12 TEL: (415) 824-4900
BRISBANE, CA 94005 FAX: (415) 824-5900

SuperLite™ II-XL
GPX HURRICANE SYSTEM
FLORIDA PRODUCT APPROVAL

DATE:

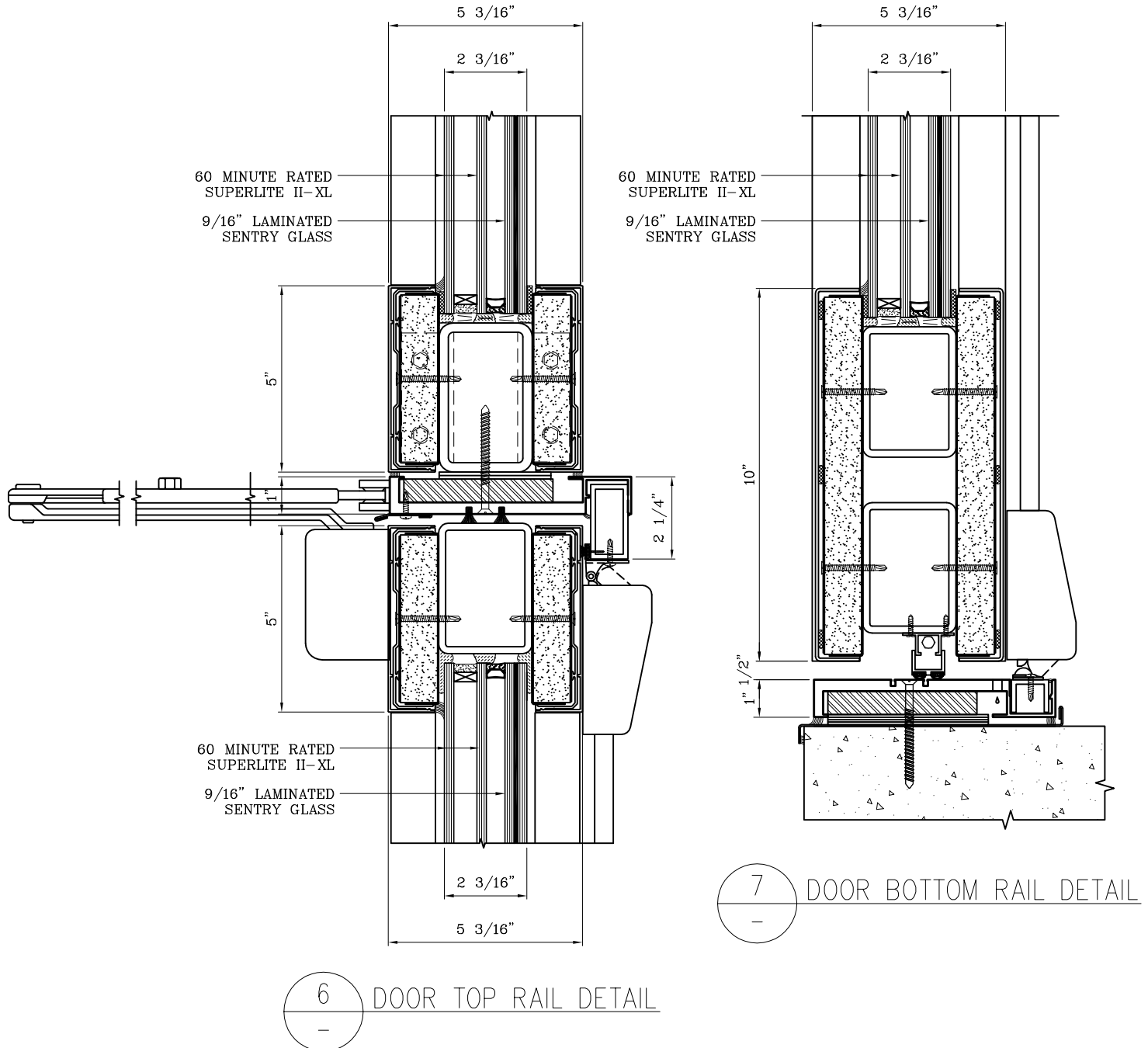
DRAWN:

SCALE:

These details are subject to change without notice.

60 MINUTE FIRE RESISTIVE HURRICANE RATED WALL/WINDOW WITH
 60 MINUTE FIRE RESISTIVE HURRICANE RATED SINGLE DOOR
 – WITH FLORIDA PRODUCT APPROVAL –

For more details, please visit www.safti.com



SAFTIFIRST™
 FIRE RATED GLAZING SOLUTIONS Since 1982
 100 N. HILL DR. SUITE 12 TEL: (415) 824-4900
 BRISBANE, CA 94005 FAX: (415) 824-5900

SuperLite™ II-XL
GPX HURRICANE SYSTEM
FLORIDA PRODUCT APPROVAL

DATE:

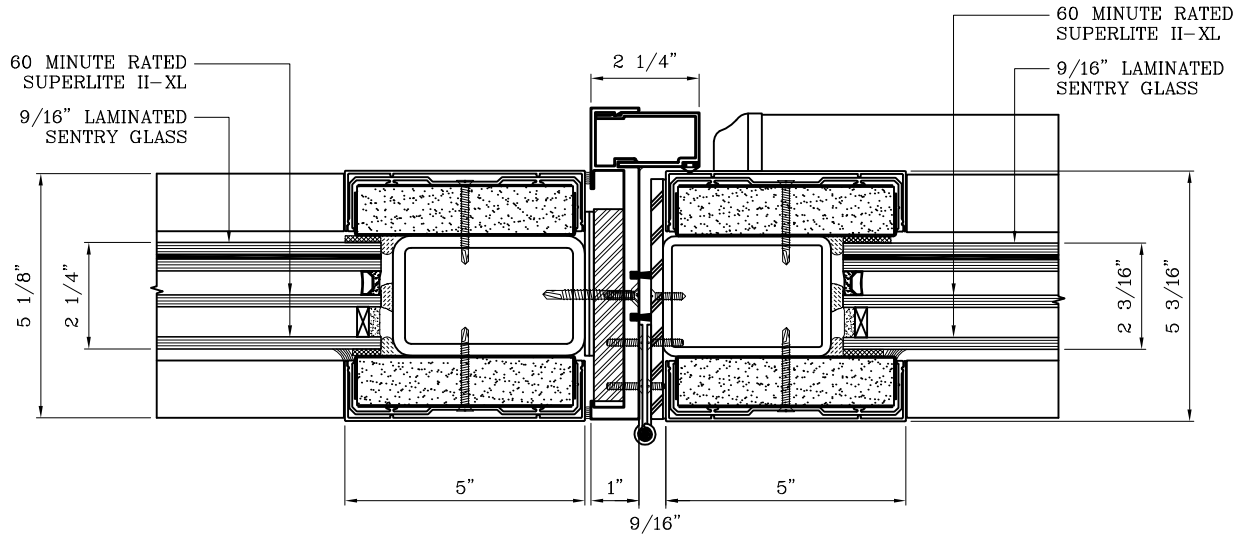
DRAWN:

SCALE:

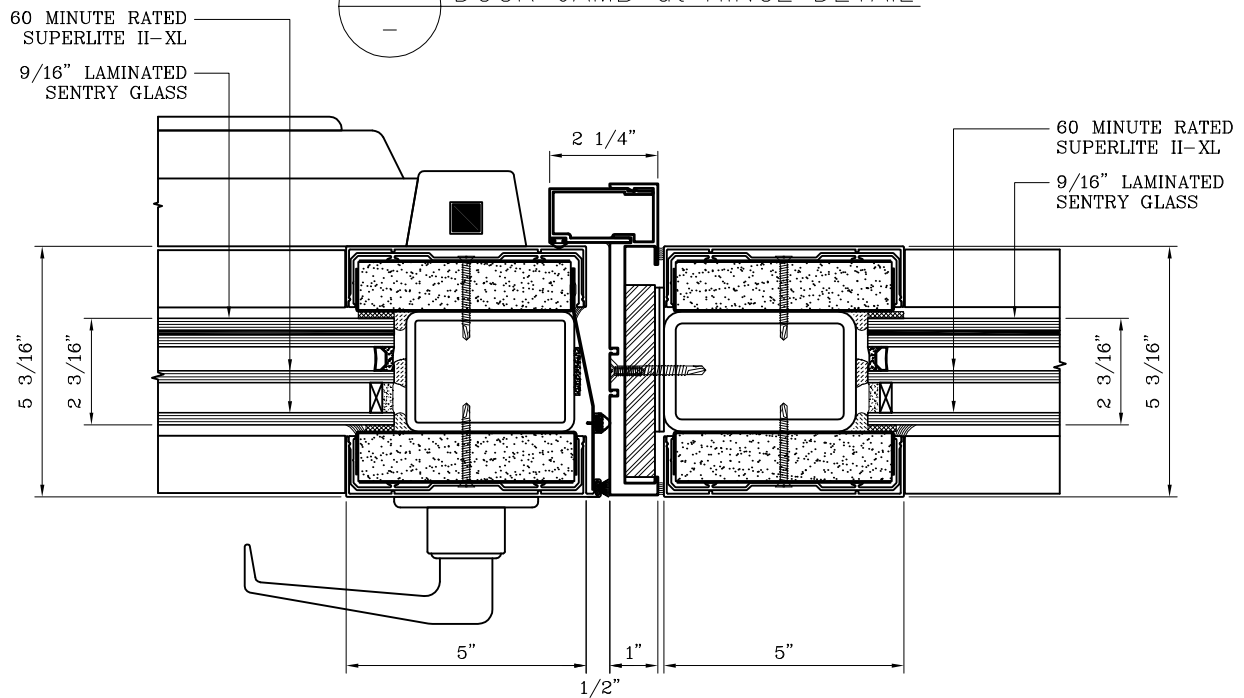
These details are subject to change without notice.

60 MINUTE FIRE RESISTIVE HURRICANE RATED WALL/WINDOW WITH 60 MINUTE FIRE RESISTIVE HURRICANE RATED SINGLE DOOR — WITH FLORIDA PRODUCT APPROVAL —

For more details, please visit www.safti.com



8 DOOR JAMB at HINGE DETAIL



13 DOOR JAMB AT LOCK DETAIL

SAFTIFIRST™
FIRE RATED GLAZING SOLUTIONS Since 1982
100 N. HILL DR. SUITE 12 TEL: (415) 824-4900
BRISBANE, CA 94005 FAX: (415) 824-5900

SuperLite™ II-XL
GPX HURRICANE SYSTEM
FLORIDA PRODUCT APPROVAL

DATE:

DRAWN:

SCALE:

These details are subject to change without notice.