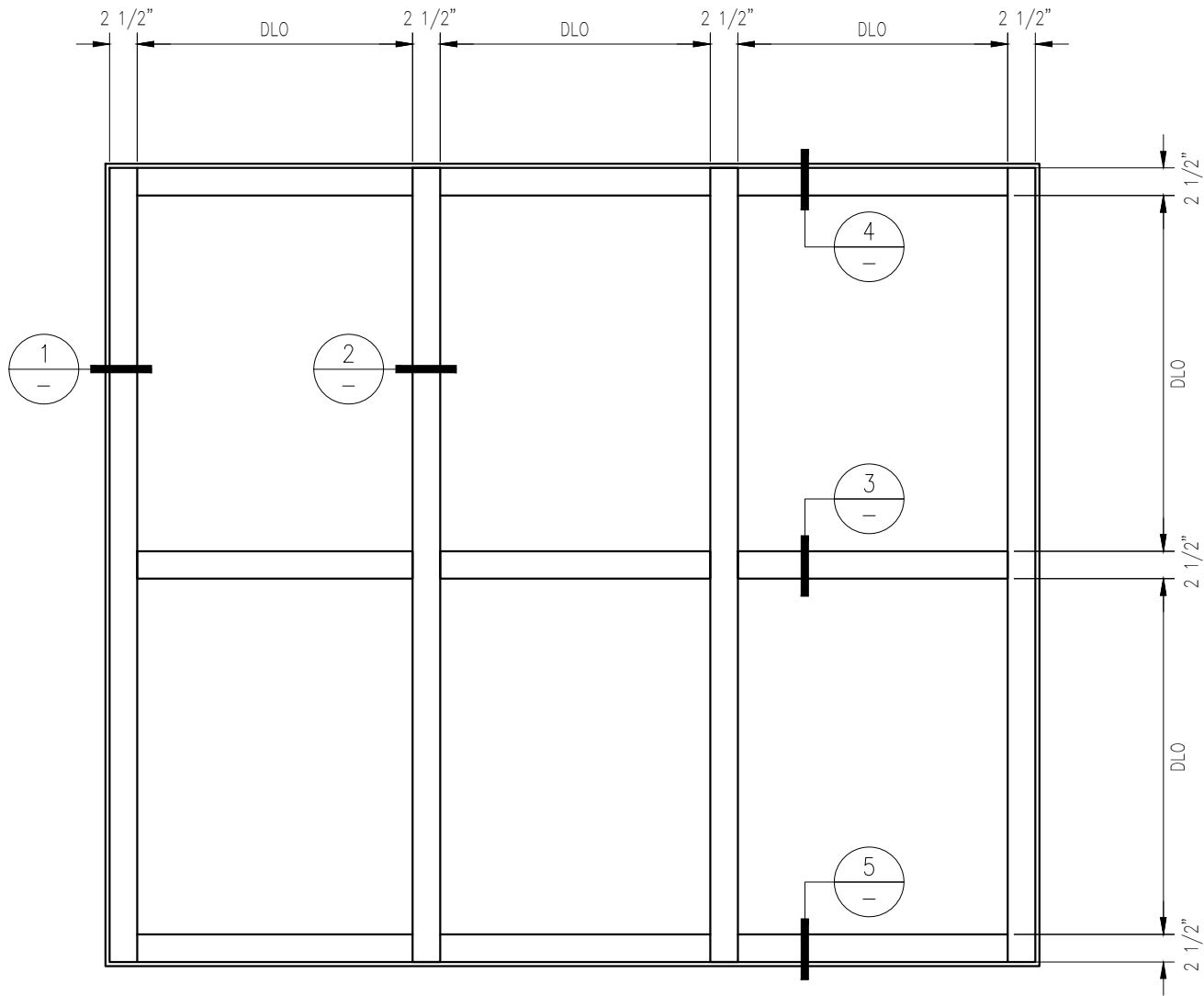


120 MINUTE FIRE RESISTIVE GPX WALL/WINDOW

—INTERIOR APPLICATION—

For more details, please visit www.safti.com



SAFTIFIRST™
FIRE RATED GLAZING SOLUTIONS
SINCE 1982
SUI TE 12 TEL: (415) 824-4900
BRISBANE, CA FAX: (415) 824-5900
94005

SuperLite II[™] XL
GPX ARCHITECTURAL
SERIES

DATE:

DRAWN:

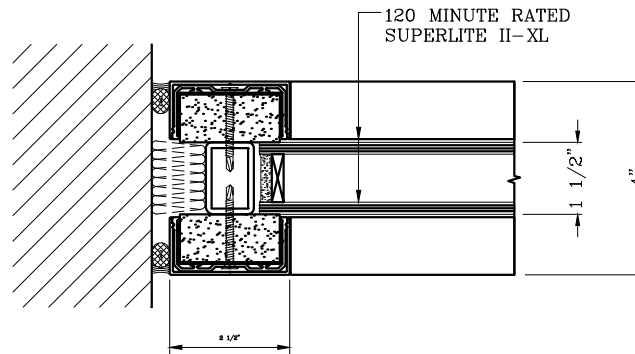
SCALE:

These details are subject to change without notice.

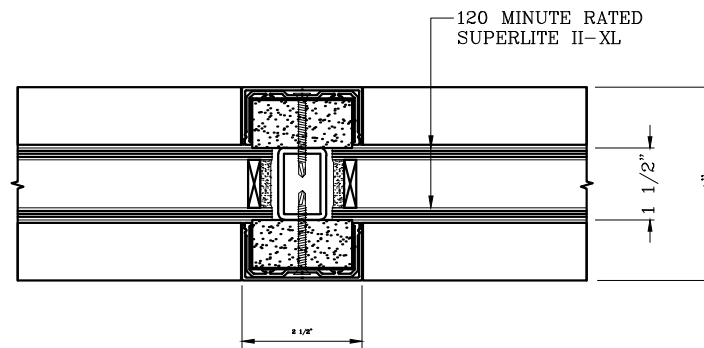
120 MINUTE FIRE RESISTIVE GPX WALL/WINDOW

—INTERIOR APPLICATION—

For more details, please visit www.safti.com



1 JAMB DETAIL



2 VERTICAL MULLION DETAIL

SAFTIFIRST™
 FIRE RATED GLAZING SOLUTIONS Since 1982
 SUITE 12 TEL: (415) 824-4900
 BRISBANE, CA FAX: (415) 824-5900
 94005

SuperLite™ II-XL
GPX ARCHITECTURAL
SERIES

DATE:

DRAWN:

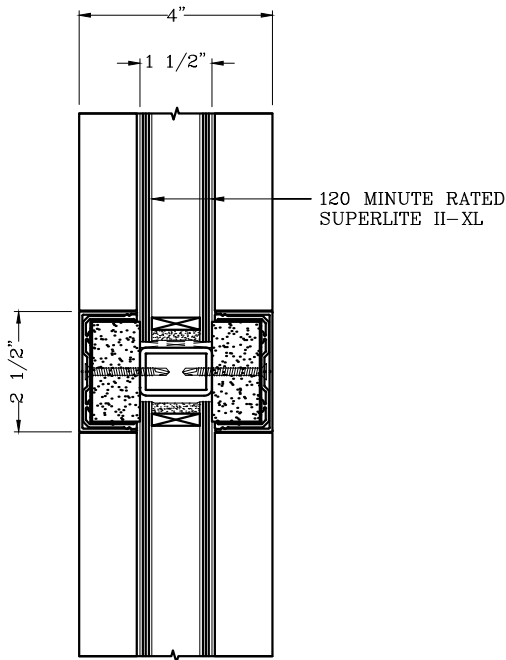
SCALE:

These details are subject to change without notice.

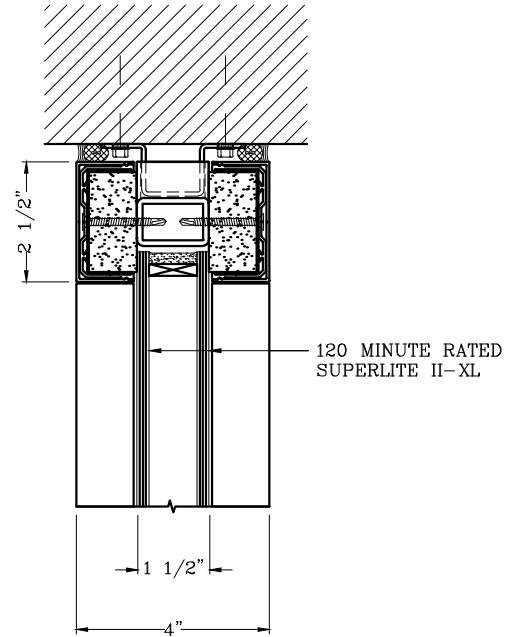
120 MINUTE FIRE RESISTIVE GPX WALL/WINDOW

-INTERIOR APPLICATION-

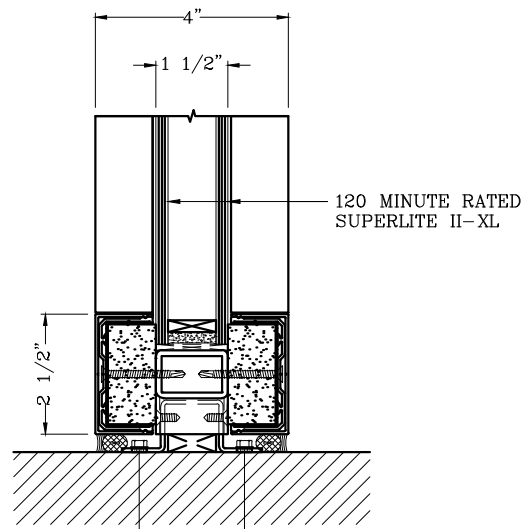
For more details, please visit www.safti.com



3 HORIZONTAL MULLION DETAIL



4 HEAD DETAIL



5 SILL DETAIL

SAFTIFIRST™
 FIRE RATED GLAZING SOLUTIONS Since 1982
 SUITE 12 TEL: (415) 824-4900
 BRISBANE, CA FAX: (415) 824-5900
 94005

SuperLite™ II-XL
GPX ARCHITECTURAL
SERIES

These details are subject to change without notice.

DATE:

DRAWN:

SCALE: