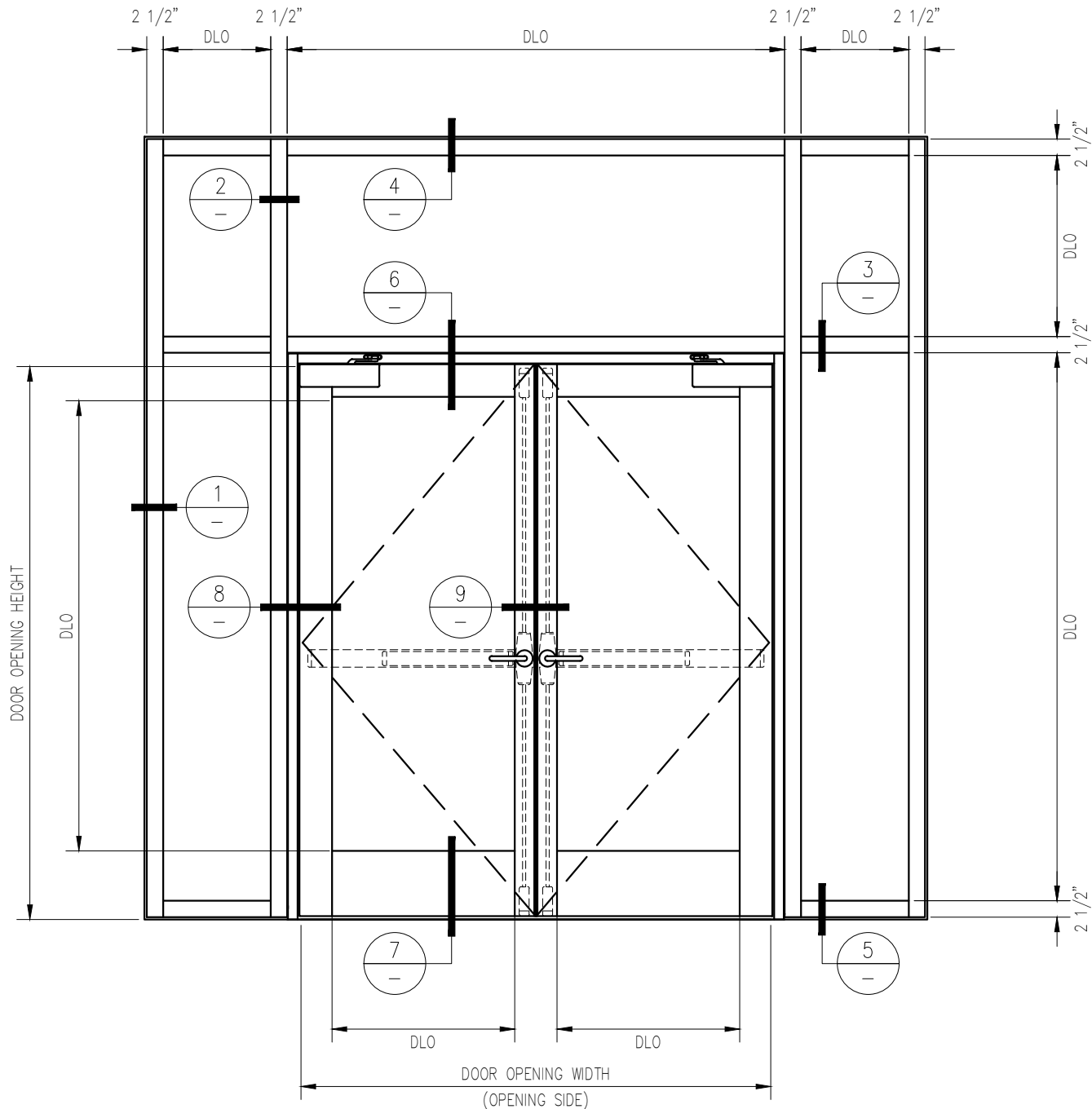


120 MINUTE FIRE RESISTIVE GPX WALL/WINDOW WITH 90 MINUTE FIRE RESISTIVE GPX DOOR PAIR -INTERIOR APPLICATION-

For more details, please visit www.safti.com



SAFTIFIRST™
 FIRE RATED GLAZING SOLUTIONS *Since 1982*
 100 N. HILL DR. SUITE 12 TEL: (415) 824-4900
 BRISBANE, CA 94005 FAX: (415) 824-5900

SuperLite™ II·XL
GPX ARCHITECTURAL
SERIES

DATE:

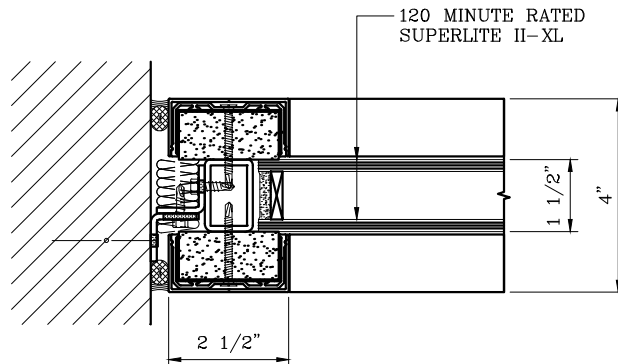
DRAWN:

SCALE:

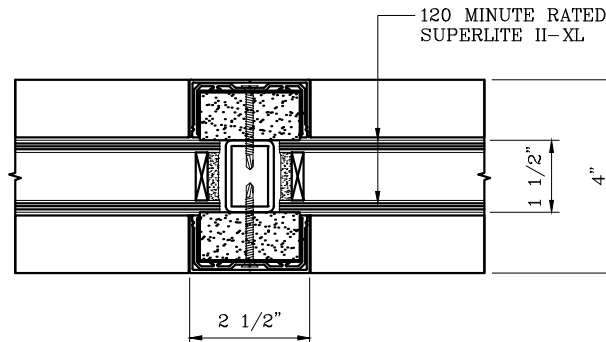
These details are subject to change without notice.

120 MINUTE FIRE RESISTIVE GPX WALL/WINDOW WITH 90 MINUTE FIRE RESISTIVE GPX DOOR PAIR —INTERIOR APPLICATION—

For more details, please visit www.safti.com



1 JAMB DETAIL



2 VERTICAL MULLION DETAIL

SAFTIFIRST™
FIRE RATED GLAZING SOLUTIONS Since 1982
100 N. HILL DR. SUITE 12 TEL: (415) 824-4900
BRISBANE, CA 94005 FAX: (415) 824-5900

SuperLite™ II-XL
GPX ARCHITECTURAL
S E R I E S

DATE:

DRAWN:

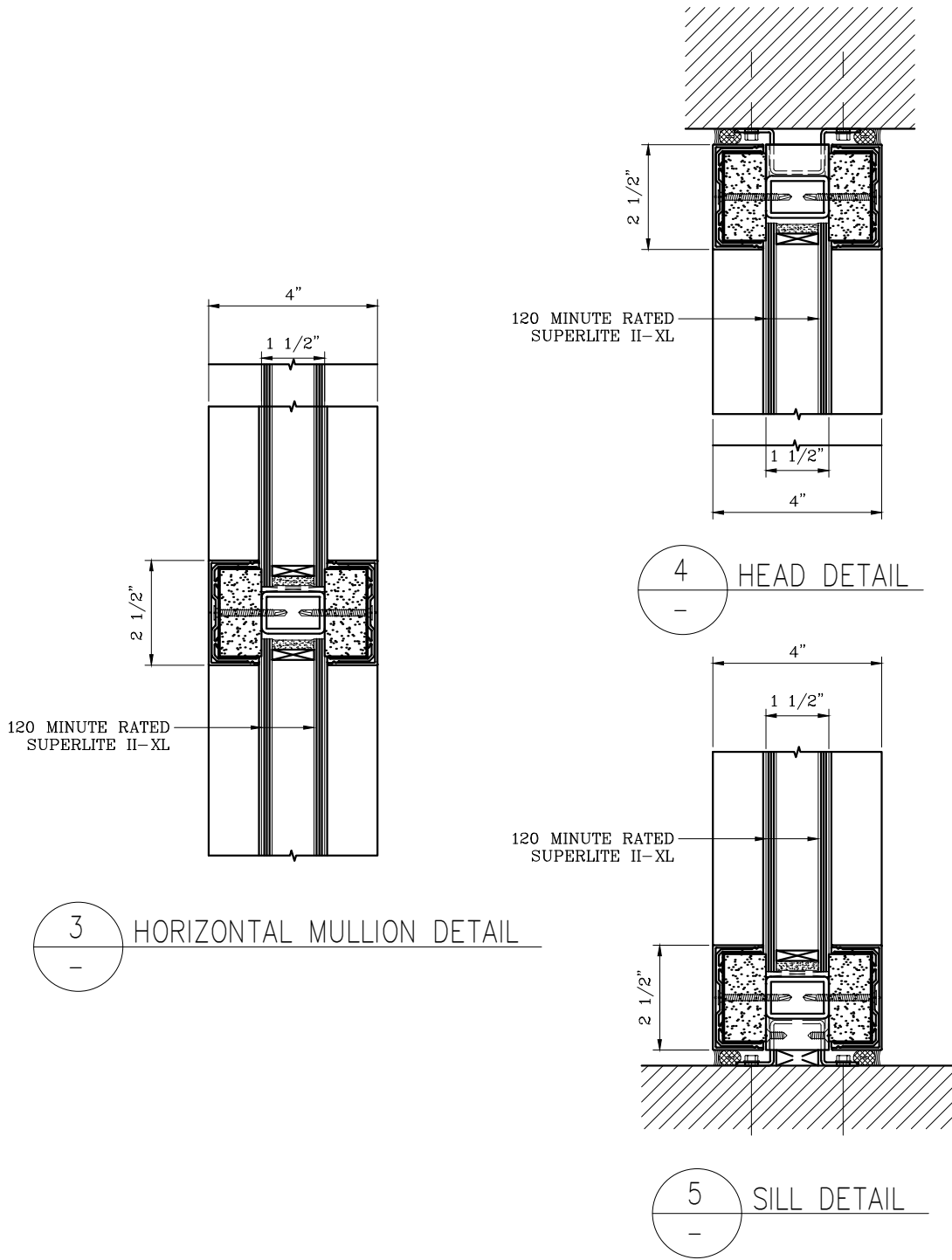
SCALE:

These details are subject to change without notice.

120 MINUTE FIRE RESISTIVE GPX WALL/WINDOW WITH 90 MINUTE FIRE RESISTIVE GPX DOOR PAIR

-INTERIOR APPLICATION-

For more details, please visit www.safti.com



SAFTIFIRST™
 FIRE RATED GLAZING SOLUTIONS *Since 1982*
 100 N. HILL DR. SUITE 12 TEL: (415) 824-4900
 BRISBANE, CA 94005 FAX: (415) 824-5900

SuperLite™ II-XL
GPX ARCHITECTURAL
SERIES

DATE:

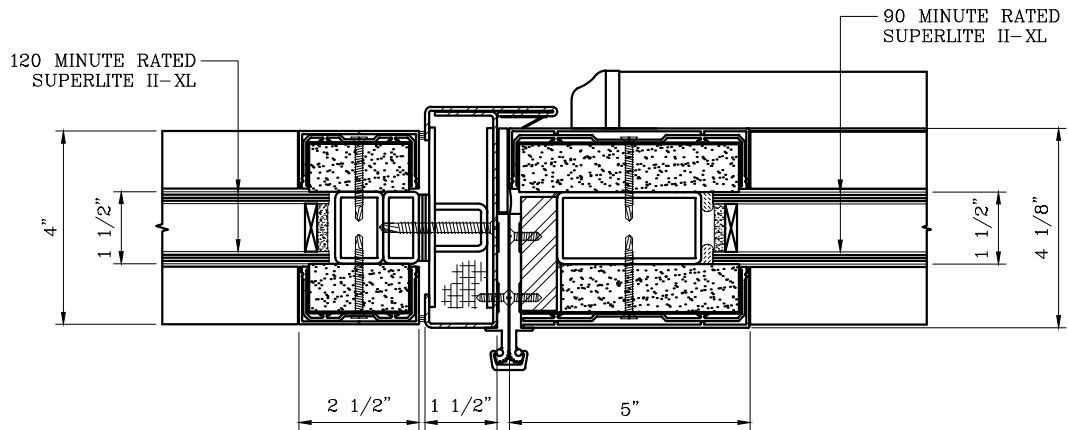
DRAWN:

SCALE:

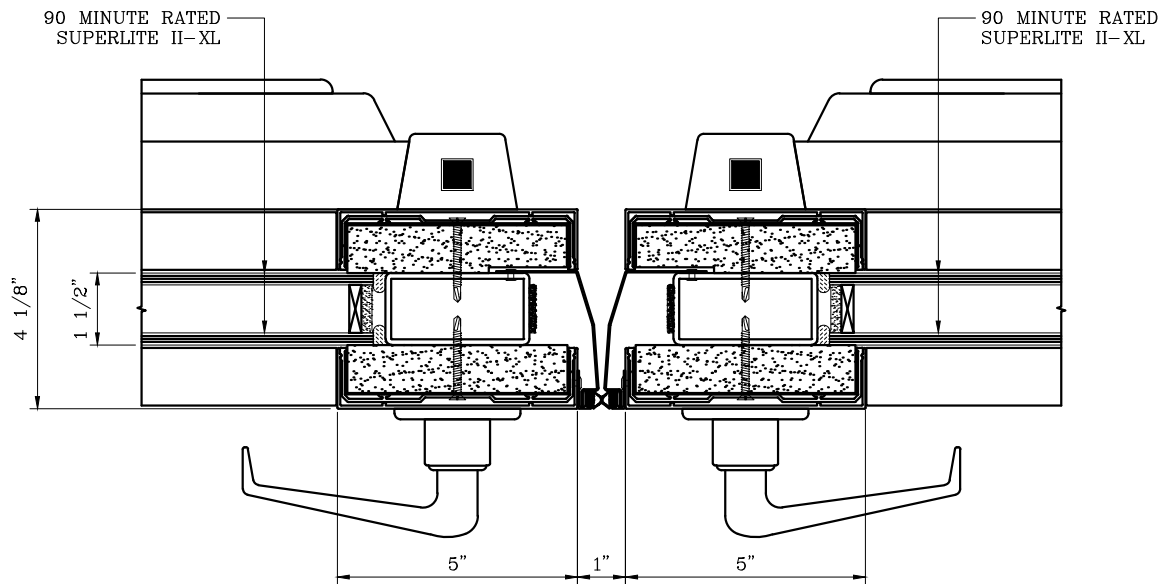
These details are subject to change without notice.

120 MINUTE FIRE RESISTIVE GPX WALL/WINDOW WITH 90 MINUTE FIRE RESISTIVE GPX DOOR PAIR —INTERIOR APPLICATION—

For more details, please visit www.safti.com



8 DOOR JAMB at SIDELITE DETAIL



9 DOOR MEETING STILES DETAIL

SAFTIFIRST™
FIRE RATED GLAZING SOLUTIONS Since 1982
100 N. HILL DR. SUITE 12 TEL: (415) 824-4900
BRISBANE, CA 94005 FAX: (415) 824-5900

SuperLite™ II-XL
GPX ARCHITECTURAL
SERIES

DATE:

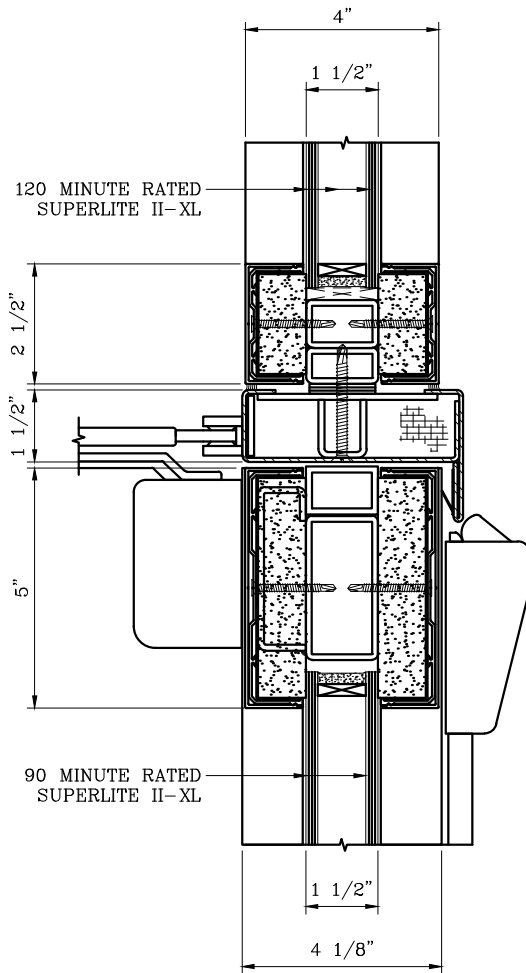
DRAWN:

SCALE:

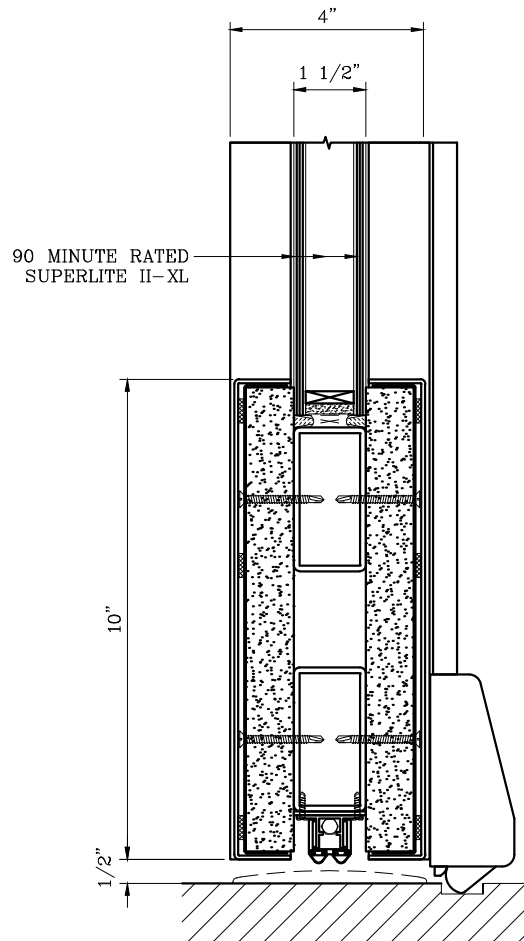
These details are subject to change without notice.

120 MINUTE FIRE RESISTIVE GPX WALL/WINDOW WITH 90 MINUTE FIRE RESISTIVE GPX DOOR PAIR -INTERIOR APPLICATION-

For more details, please visit www.safti.com



6 DOOR TOP RAIL DETAIL



7 DOOR BOTTOM RAIL DETAIL

SAFTIFIRSTTM
FIRE RATED GLAZING SOLUTIONS *Since 1982*
100 N. HILL DR. SUITE 12 TEL: (415) 824-4900
BRISBANE, CA 94005 FAX: (415) 824-5900

SuperLiteTM **II-XL**
GPX ARCHITECTURAL
SERIES

DATE:

DRAWN:

SCALE:

These details are subject to change without notice.