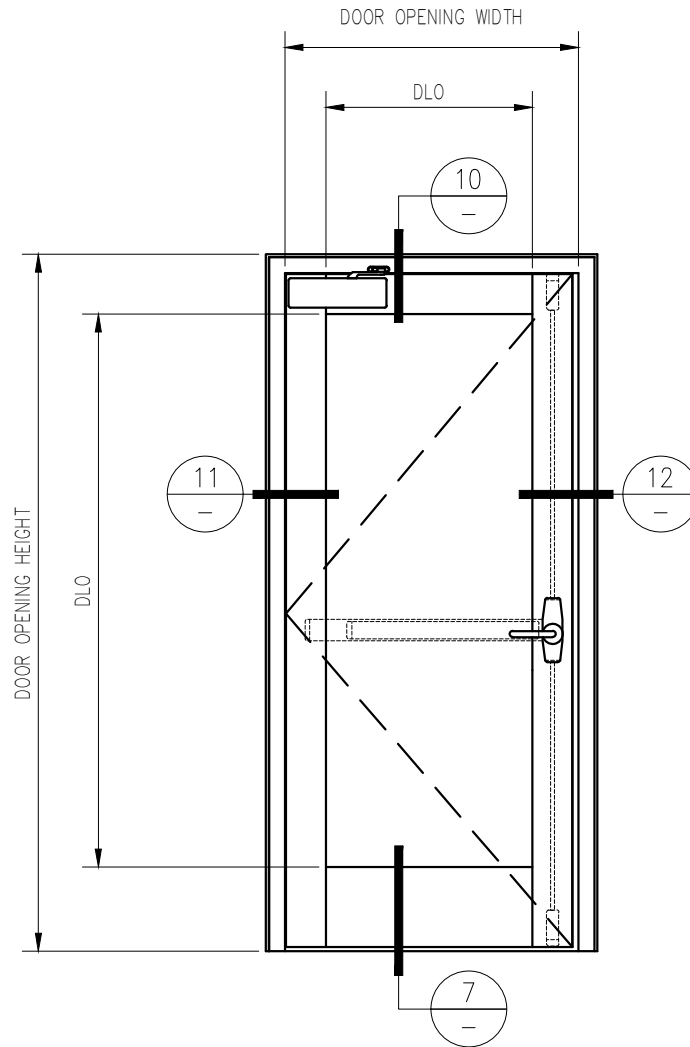


# 90 MINUTE FIRE RESISTIVE GPX SINGLE DOOR

—EXTERIOR APPLICATION—

For more details, please visit [www.safti.com](http://www.safti.com)



**SAFTIFIRST**™  
FIRE RATED LADING SOLUTIONS Since 1982  
SUITE 12 TEL: (415) 824-4900  
BRISBANE, CA FAX: (415) 824-5900  
94005

**SuperLite™ II-XL**  
**GPX ARCHITECTURAL**  
**SERIES**

DATE:

DRAWN:

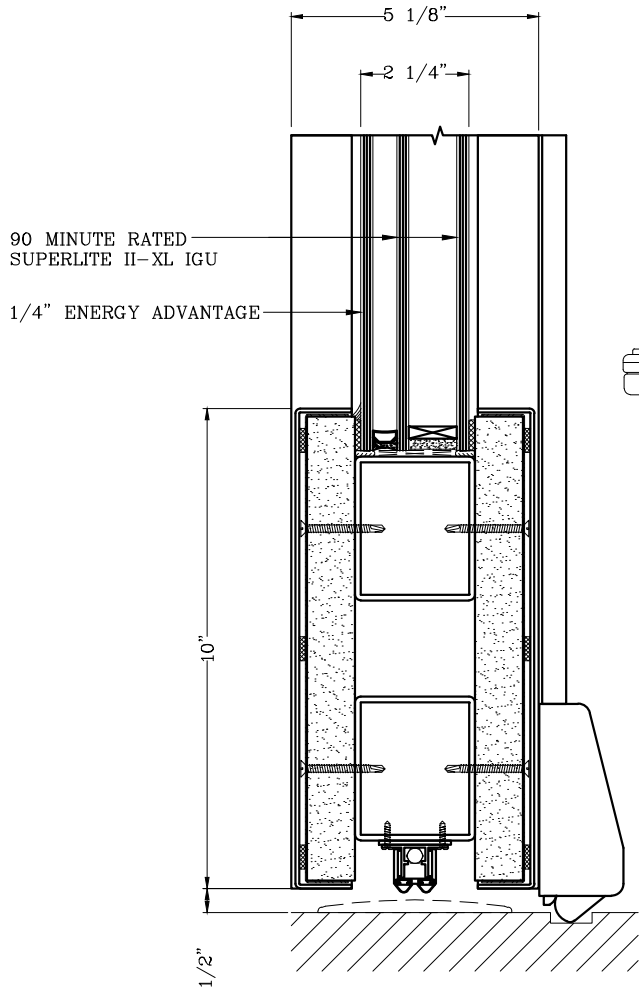
SCALE:

These details are subject to change without notice.

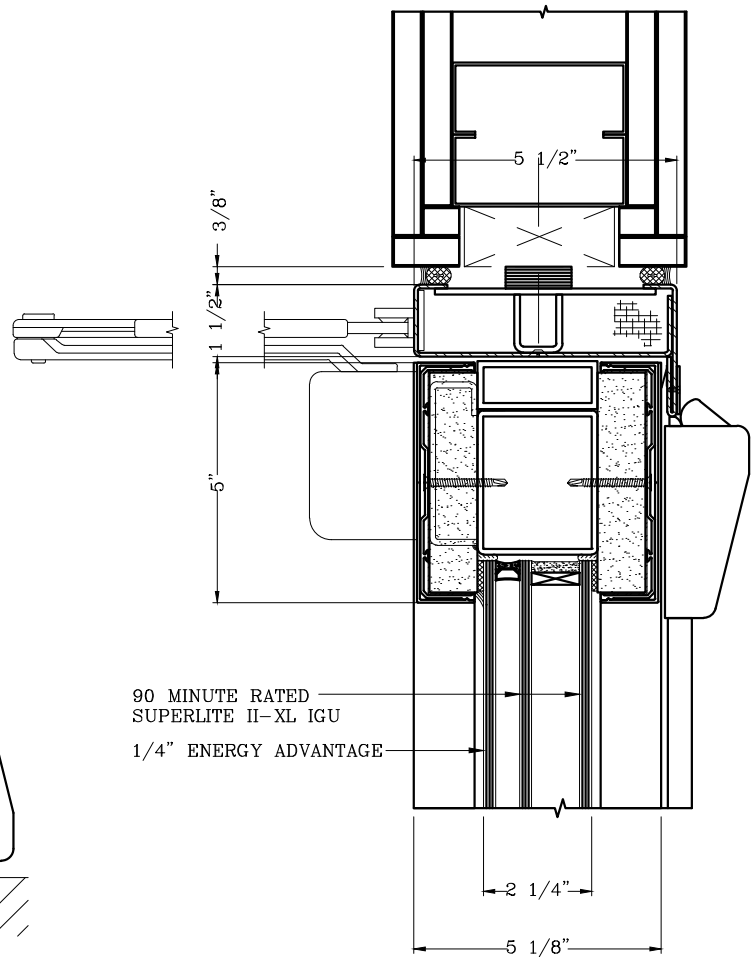
# 90 MINUTE FIRE RESISTIVE GPX SINGLE DOOR

—EXTERIOR APPLICATION—

For more details, please visit [www.safti.com](http://www.safti.com)



7 DOOR BOTTOM RAIL DETAIL



10 DOOR TOP RAIL DETAIL

**SAFTIFIRST™**  
 FIRE RATED GLAZING SOLUTIONS Since 1982  
 SUITE 12 TEL: (415) 824-4900  
 BRISBANE, CA FAX: (415) 824-5900  
 94005

**SuperLite™ II-XL**  
**GPX ARCHITECTURAL**  
**SERIES**

DATE:

DRAWN:

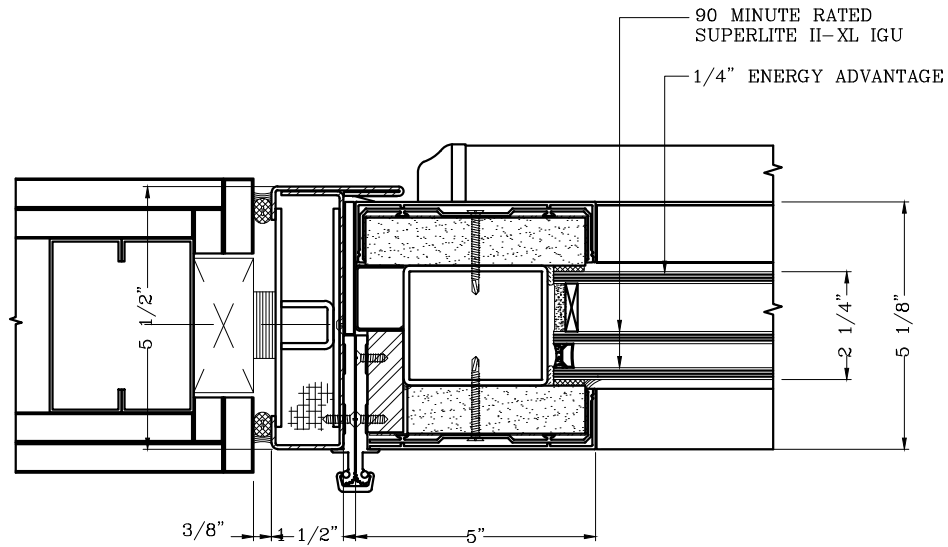
SCALE:

These details are subject to change without notice.

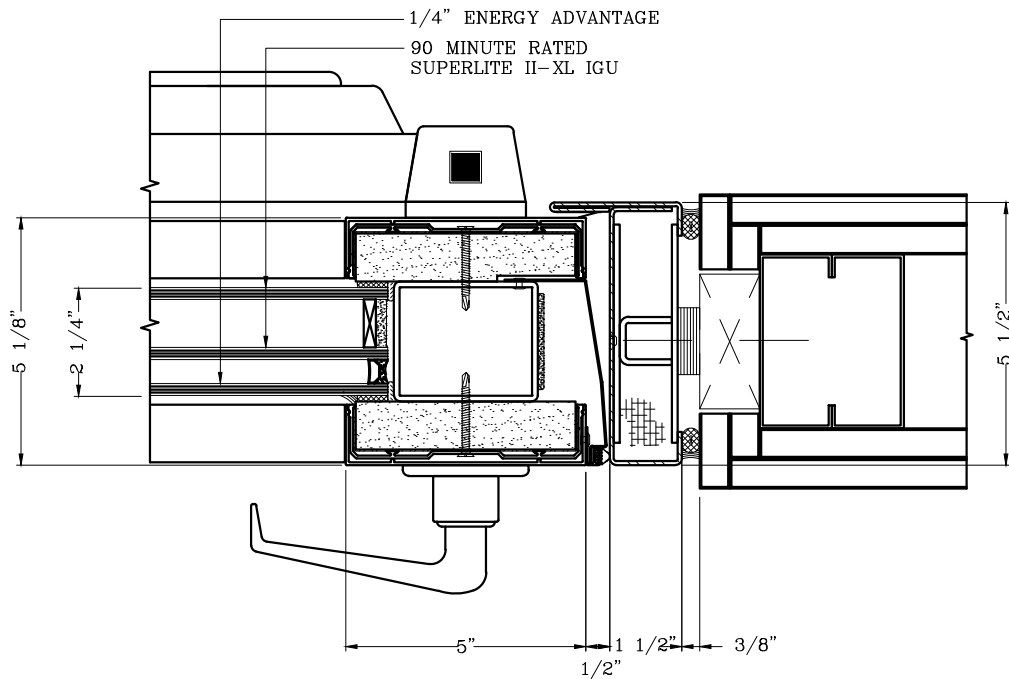
# 90 MINUTE FIRE RESISTIVE GPX SINGLE DOOR

-EXTERIOR APPLICATION-

For more details, please visit [www.safti.com](http://www.safti.com)



11 DOOR JAMB at HINGE



12 DOOR MEETING STILES DETAIL

**SAFTIFIRST™**  
 FIRE RATED GLAZING SOLUTIONS Since 1982  
 SUITE 12 TEL: (415) 824-4900  
 BRISBANE, CA FAX: (415) 824-5900  
 94005

**SuperLite™ II-XL**  
**GPX ARCHITECTURAL**  
**SERIES**

These details are subject to change without notice.

DATE:

DRAWN:

SCALE: