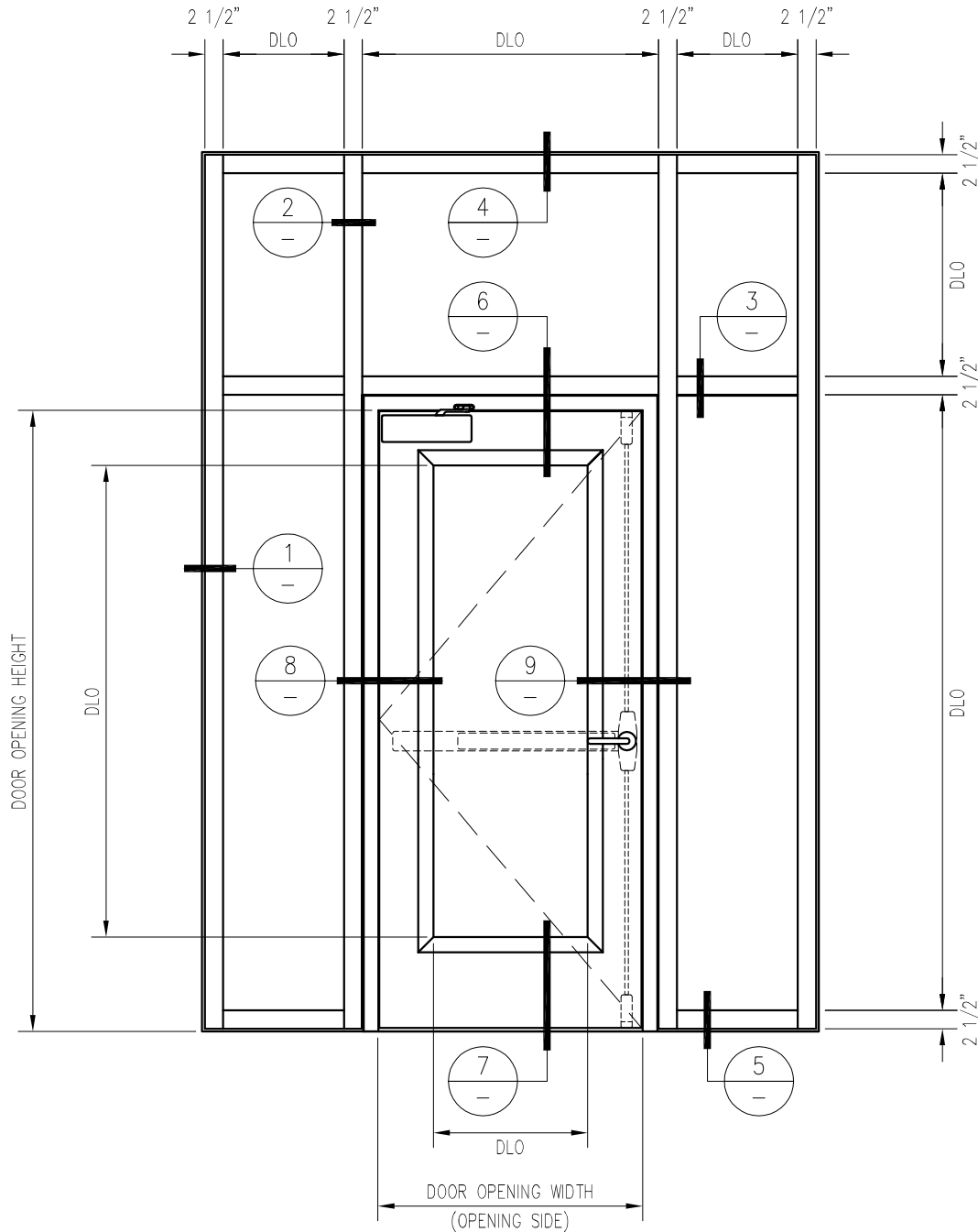


90 MINUTE TEMPERATURE RISE DOOR WITH 120 MINUTE FIRE RESISTIVE GPX WALL/WINDOW

-EXTERIOR APPLICATION-

For more details, please visit www.safti.com



SAFTIFIRST™
 FIRE RATED GLAZING SOLUTIONS *Since 1982*
 100 N. HILL DR. SUITE 12 TEL: (415) 824-4900
 BRISBANE, CA 94005 FAX: (415) 824-5900

SuperLite™ II-XL
GPX BUILDERS SERIES
 TEMPERATURE RISE

DATE:

DRAWN:

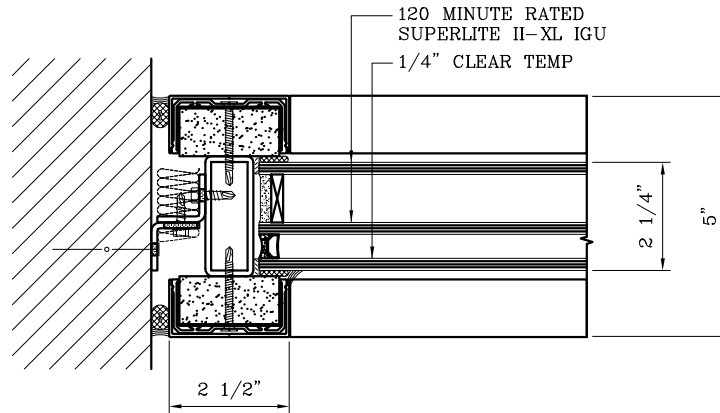
SCALE:

These details are subject to change without notice.

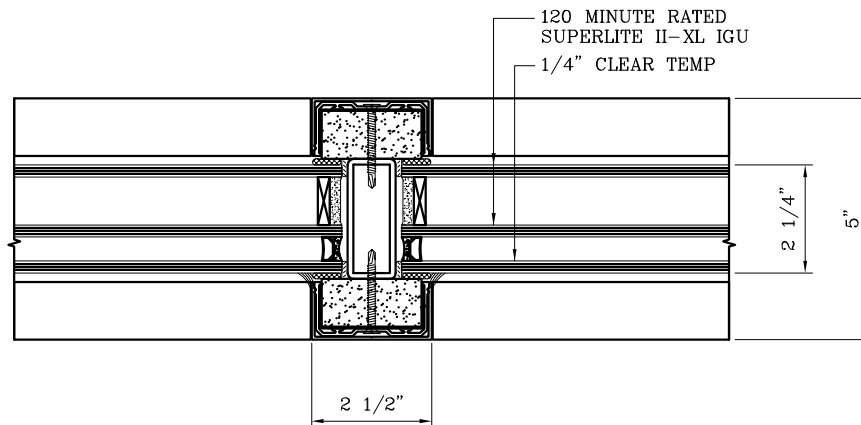
90 MINUTE TEMPERATURE RISE DOOR WITH 120 MINUTE FIRE RESISTIVE GPX WALL/WINDOW

-EXTERIOR APPLICATION-

For more details, please visit www.safti.com



1 JAMB DETAIL



2 VERTICAL MULLION DETAIL

SAFTIFIRST™
FIRE RATED GLAZING SOLUTIONS Since 1982
100 N. HILL DR. SUITE 12 TEL: (415) 824-4900
BRISBANE, CA 94005 FAX: (415) 824-5900

SuperLite™ II-XL
GPX BUILDERS
SERIES
TEMPERATURE RISE

DATE:

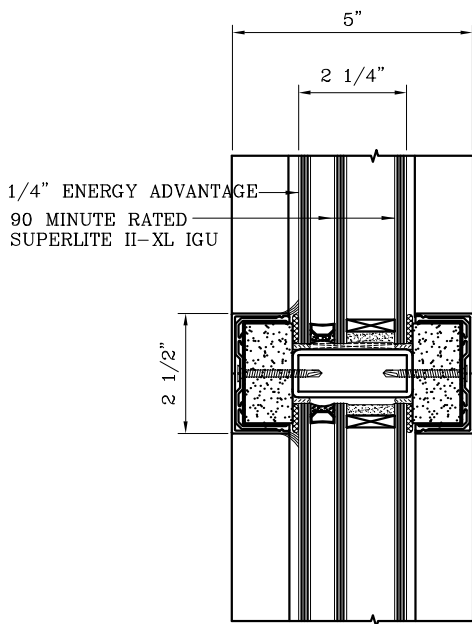
DRAWN:

SCALE:

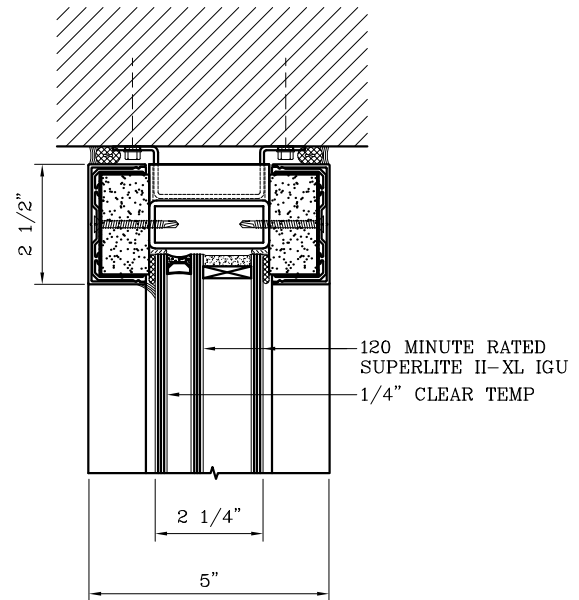
These details are subject to change without notice.

90 MINUTE TEMPERATURE RISE DOOR WITH 120 MINUTE FIRE RESISTIVE GPX WALL/WINDOW -EXTERIOR APPLICATION-

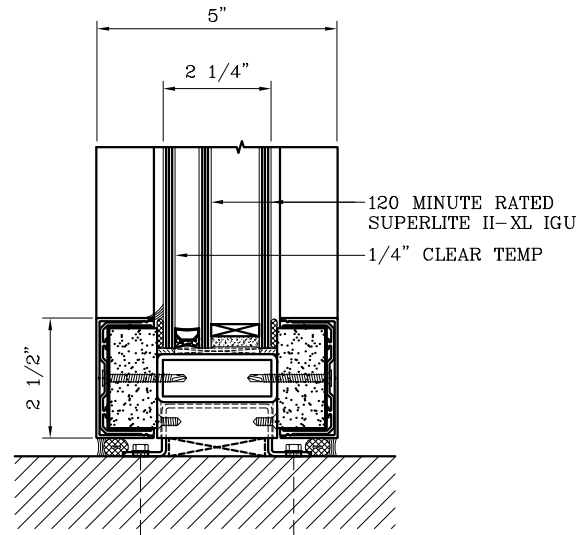
For more details, please visit www.safti.com



3 HORIZONTAL MULLION DETAIL



4 HEAD DETAIL



5 SILL DETAIL

SAFTIFIRST™
 FIRE RATED GLAZING SOLUTIONS *Since 1982*
 100 N. HILL DR. SUITE 12 TEL: (415) 824-4900
 BRISBANE, CA 94005 FAX: (415) 824-5900

SuperLite™ II-XL
GPX BUILDERS
SERIES
TEMPERATURE RISE

DATE:

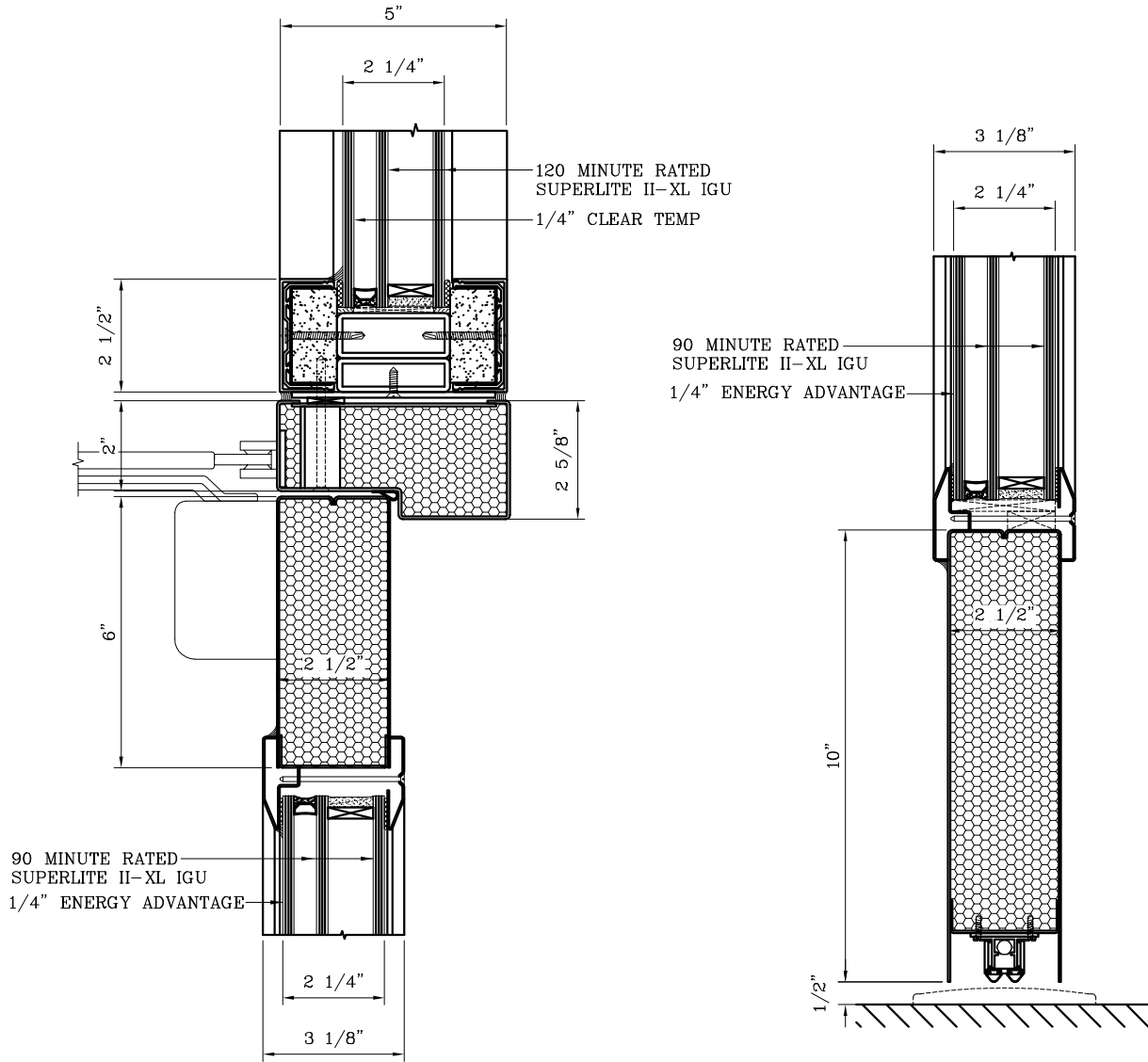
DRAWN:

SCALE:

These details are subject to change without notice.

90 MINUTE TEMPERATURE RISE DOOR WITH 120 MINUTE FIRE RESISTIVE GPX WALL/WINDOW -EXTERIOR APPLICATION-

For more details, please visit www.safti.com



6 DOOR TOP RAIL DETAIL

7 DOOR BOTTOM RAIL DETAIL

SAFTIFIRST™
 FIRE RATED GLAZING SOLUTIONS *Since 1982*
 100 N. HILL DR. SUITE 12 TEL: (415) 824-4900
 BRISBANE, CA 94005 FAX: (415) 824-5900

SuperLite™ II-XL
GPX BUILDERS SERIES
TEMPERATURE RISE

DATE:

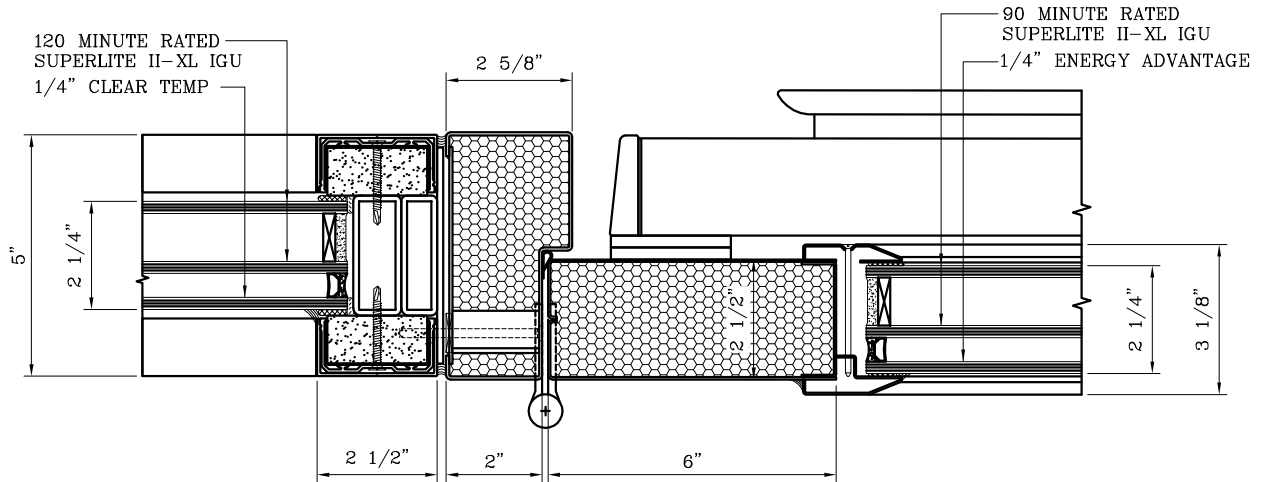
DRAWN:

SCALE:

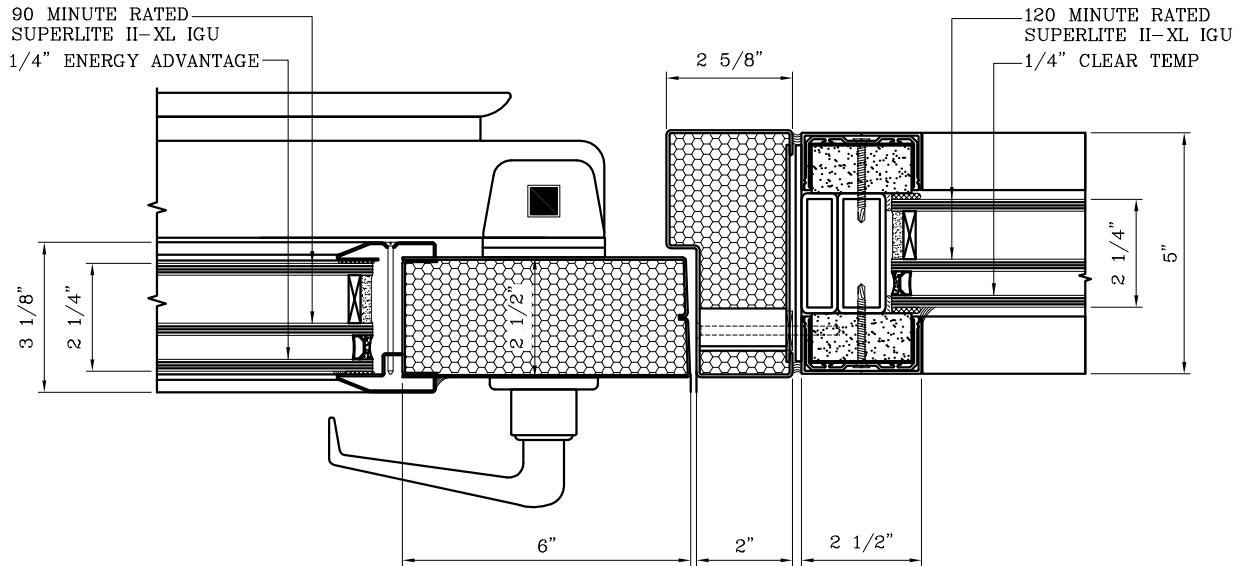
These details are subject to change without notice.

90 MINUTE TEMPERATURE RISE DOOR WITH 120 MINUTE FIRE RESISTIVE GPX WALL/WINDOW -EXTERIOR APPLICATION-

For more details, please visit www.safti.com



8 DOOR JAMB at HINGE DETAIL



9 DOOR JAMB at LOCK DETAIL

SAFTIFIRST™
 FIRE RATED GLAZING SOLUTIONS *Since 1982*
 100 N. HILL DR. SUITE 12 TEL: (415) 824-4900
 BRISBANE, CA 94005 FAX: (415) 824-5900

SuperLite™ II-XL
GPX BUILDERS
SERIES
TEMPERATURE RISE

DATE:

DRAWN:

SCALE:

These details are subject to change without notice.