

PRODUCT ADVANTAGES



- ▶ Fire resistive restrained glass floor assembly that allows daylight to penetrate further into the building while meeting fire rated requirements.
- ▶ Single glass unit comprised of custom SuperLite II-XL combined with a tempered laminated walking surface and a structural steel framing grid. Both the glass unit and structural steel framing grid are manufactured and provided by SAFTI *FIRST*.
- ▶ Designed with no airspace between the fire rated glass and walkable surface to eliminate condensation issues.
- ▶ Largest tested and listed individual glass panel sizes at 82-3/8" x 85-3/16" fully supported and 67-7/8" x 70-3/16" butt-glazed.
- ▶ Meets ASTM E-119 and blocks smoke, flames and radiant heat up to one hour.
- ▶ Available with a durable, non-slip walking surface with loads up to 100 psf.
- ▶ Modular system with a top-loaded design for easy installation.
- ▶ Can be used in interior and exterior applications.
- ▶ Available in multiple frame finishes and glass make-ups.

INTERTEK TESTED AND CERTIFIED



GPX Architectural Series is listed and labeled by Intertek, a nationally recognized testing laboratory approved by OSHA.

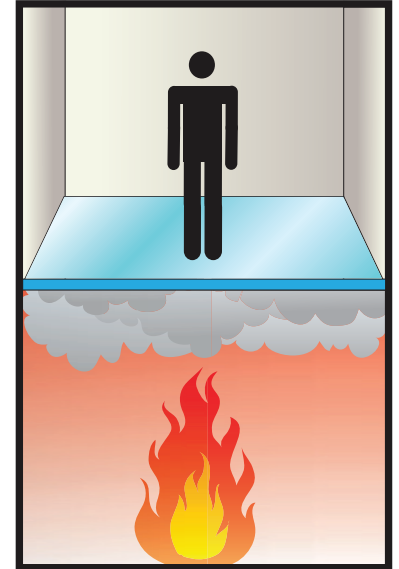
APPROVALS

ASTM E-119, UL 263 and NFPA 251.

FIRE RESISTIVE

Meets standard code for floor loading.

Contains smoke, flames and blocks the passage of radiant heat.



SPECIFICATIONS

Thickness: 4-3/16 in.

Weight: Approx. 40 lbs./sq. ft.

Individual Panel Size: 82-3/8" x 85-3/16" fully supported and 67-7/8" x 70-3/16" butt-glazed.

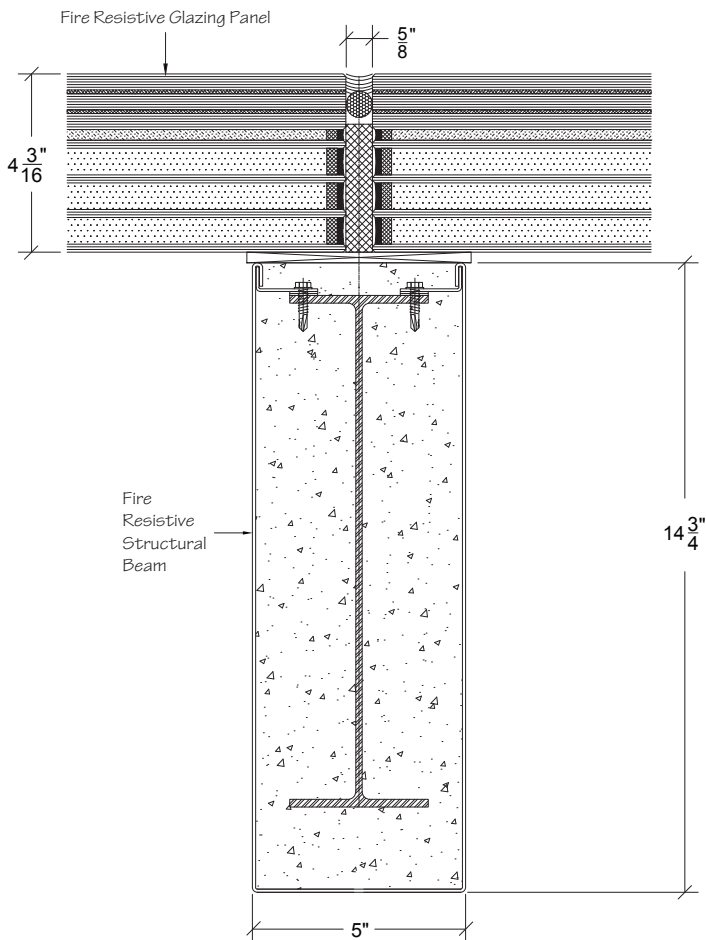
Fire Rating: 60 minutes. Meets ASTM E-119, UL 263 and NFPA 251.

Load: Up to 100 psf.



TYPICAL DETAILS

GPX FireFloor System - Midspan Condition



GPX FireFloor System - Edge Condition

