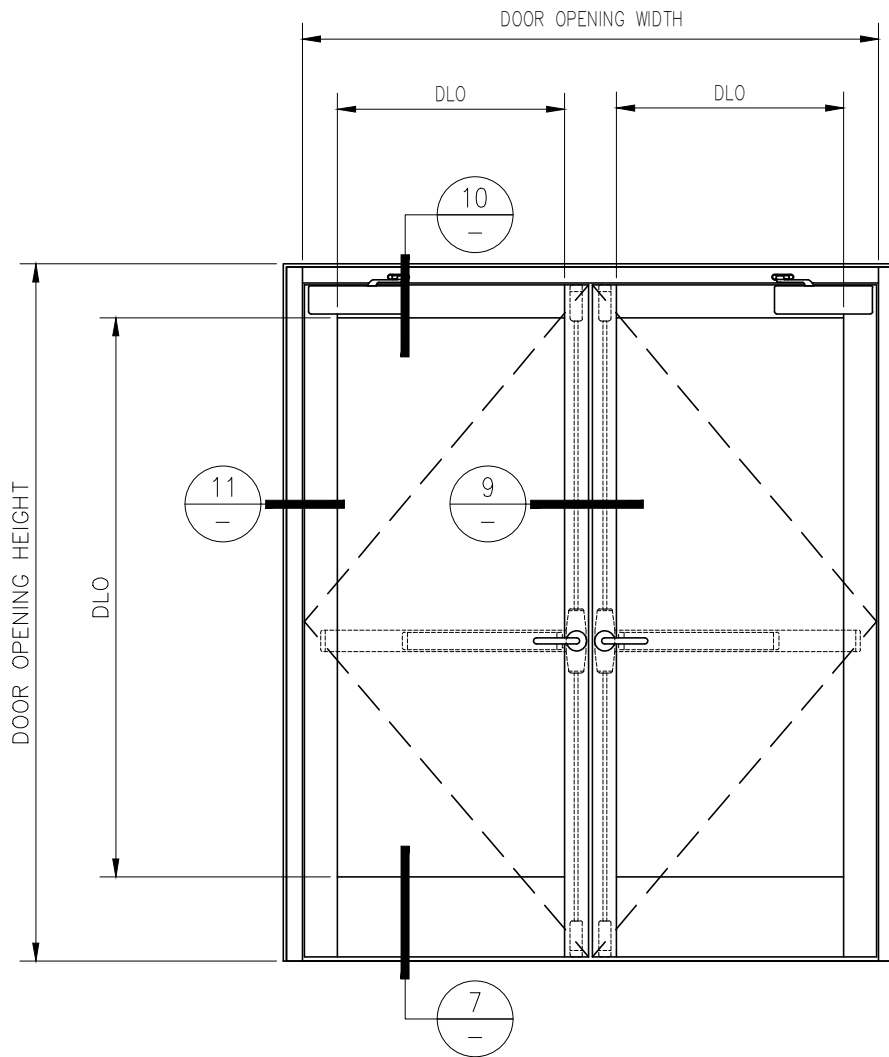


90 MINUTE FIRE RESISTIVE GPX DOOR PAIR

-INTERIOR APPLICATION-

For more details, please visit www.safti.com



SAFTIFIRST™
 FIRE RATED GLAZING SOLUTIONS *Since 1982*
 100 N. HILL DR. SUITE 12 TEL: (415) 824-4900
 BRISBANE, CA 94005 FAX: (415) 824-5900

SuperLite™ II-XLM
GPX ARCHITECTURAL
SERIES

DATE:

DRAWN:

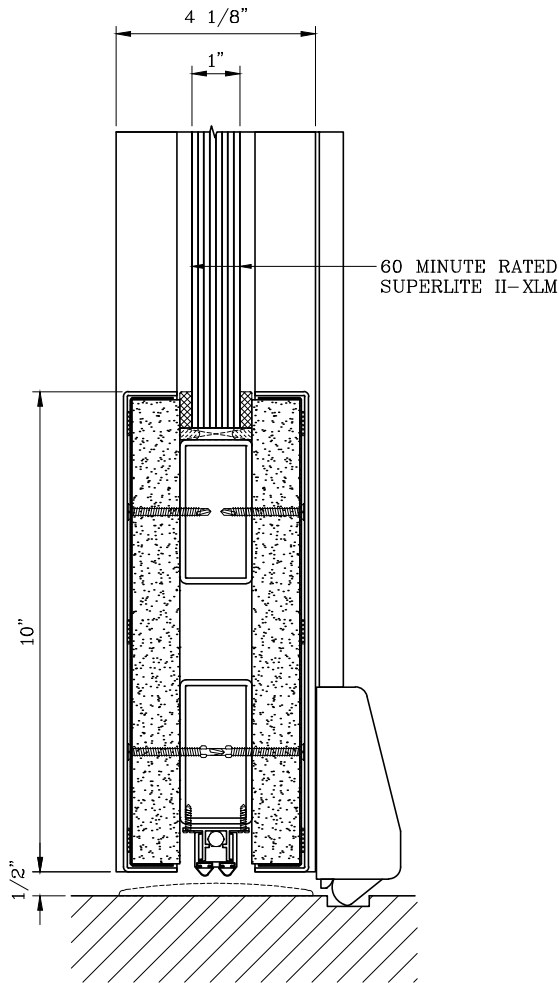
SCALE: NOT TO SCALE

These details are subject to change without notice.

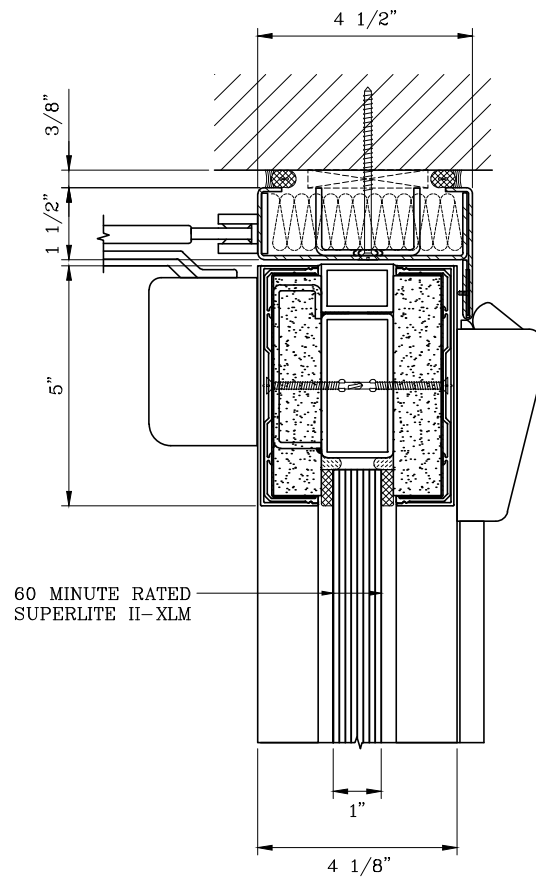
90 MINUTE FIRE RESISTIVE GPX DOOR PAIR

—INTERIOR APPLICATION—

For more details, please visit www.safti.com



7 DOOR BOTTOM RAIL DETAIL



10 DOOR TOP RAIL DETAIL

SAFTIFIRST™
 FIRE RATED GLAZING SOLUTIONS Since 1982
 100 N. HILL DR. SUITE 12 TEL: (415) 824-4900
 BRISBANE, CA 94005 FAX: (415) 824-5900

SuperLite™ II-XLM
GPX ARCHITECTURAL
SERIES

DATE:

DRAWN:

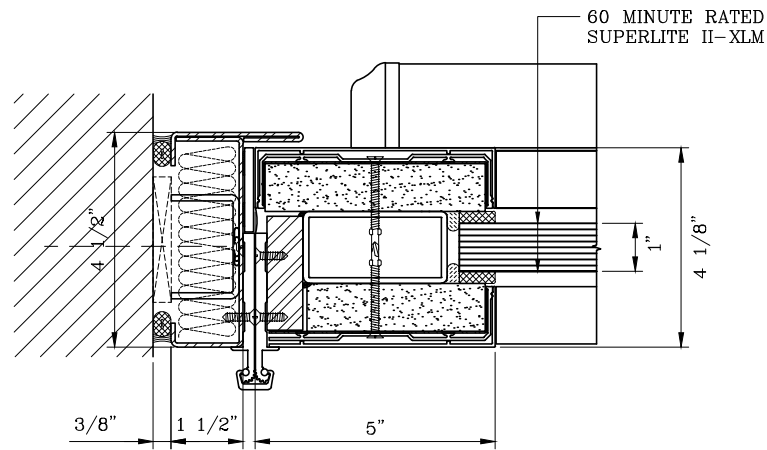
SCALE: NOT TO SCALE

These details are subject to change without notice.

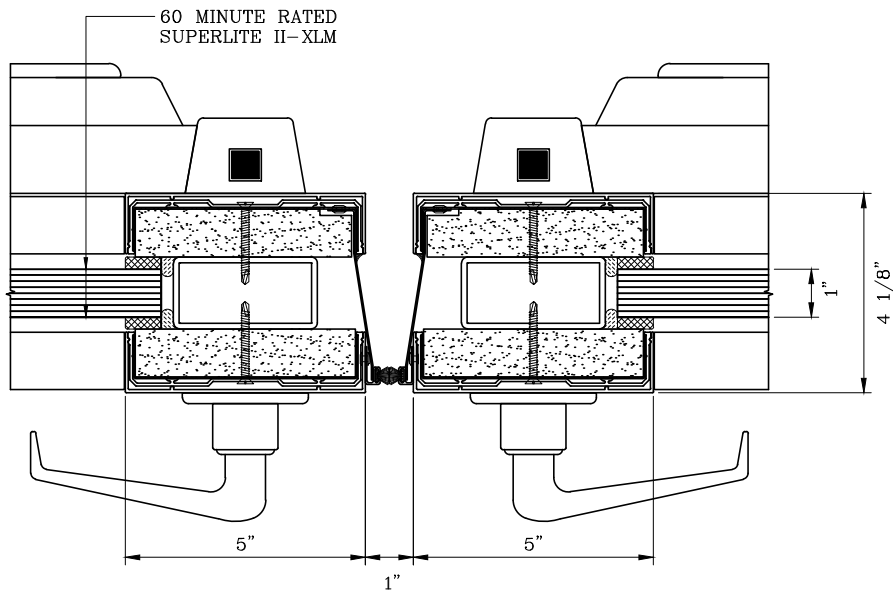
90 MINUTE FIRE RESISTIVE GPX DOOR PAIR

—INTERIOR APPLICATION—

For more details, please visit www.safti.com



11 DOOR JAMB at HINGE



9 DOOR MEETING STILES DETAIL

SAFTIFIRST™
 FIRE RATED GLAZING SOLUTIONS Since 1982
 100 N. HILL DR. SUITE 12 TEL: (415) 824-4900
 BRISBANE, CA 94005 FAX: (415) 824-5900

SuperLite™ II-XLM
GPX ARCHITECTURAL
SERIES

DATE:

DRAWN:

SCALE: NOT TO SCALE

These details are subject to change without notice.