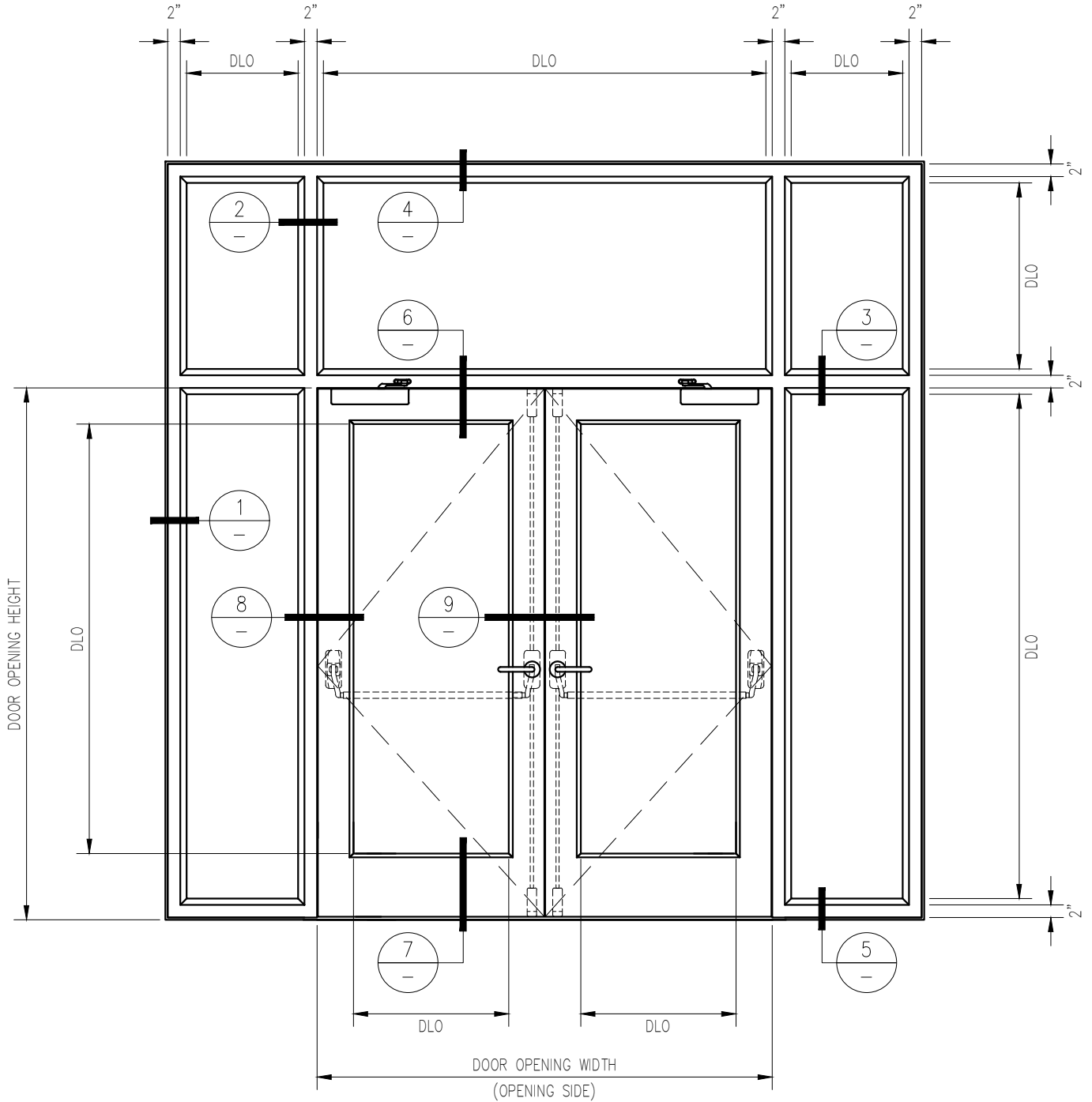


20 MINUTE FIRE PROTECTIVE DOOR PAIR WITH 45 MINUTE FIRE PROTECTIVE SIDELITES/TRANSOMS -INTERIOR APPLICATION-

For more details, please visit www.safti.com



SAFTIFIRST™
 FIRE RATED GLAZING SOLUTIONS Since 1981
 100 N. HILL DR. SUITE 12 TEL: (415) 824-4900
 BRISBANE, CA 94005 FAX: (415) 824-5900

SuperClear 45-HS-LI
Patent Pending
GPX BUILDERS SERIES
 FIRE PROTECTIVE

DATE:

DRAWN:

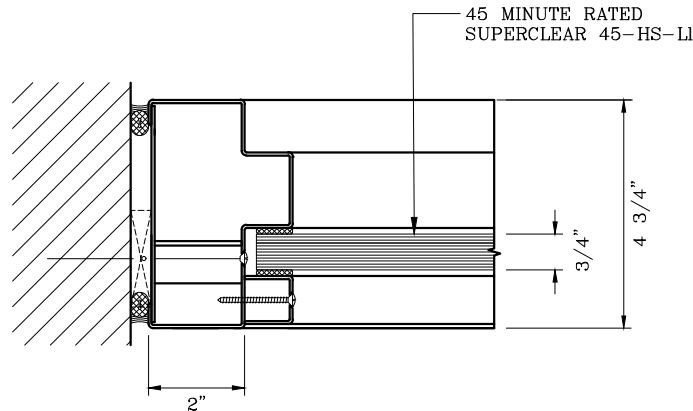
SCALE:

These details are subject to change without notice.

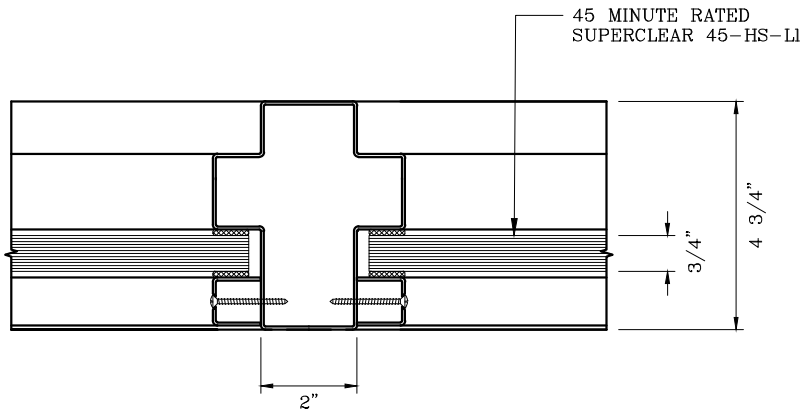
20 MINUTE FIRE PROTECTIVE DOOR PAIR WITH 45 MINUTE FIRE PROTECTIVE SIDELITES/TRANSOMS

-INTERIOR APPLICATION-

For more details, please visit www.safti.com



1 JAMB DETAIL



2 VERTICAL MULLION DETAIL

SAFTIFIRST™
FIRE RATED GLAZING SOLUTIONS Since 1981
100 N. HILL DR. SUITE 12 TEL: (415) 824-4900
BRISBANE, CA 94005 FAX: (415) 824-5900

SuperClear 45-HS-LI
Patent Pending
GPX BUILDERS SERIES
FIRE PROTECTIVE

DATE:

DRAWN:

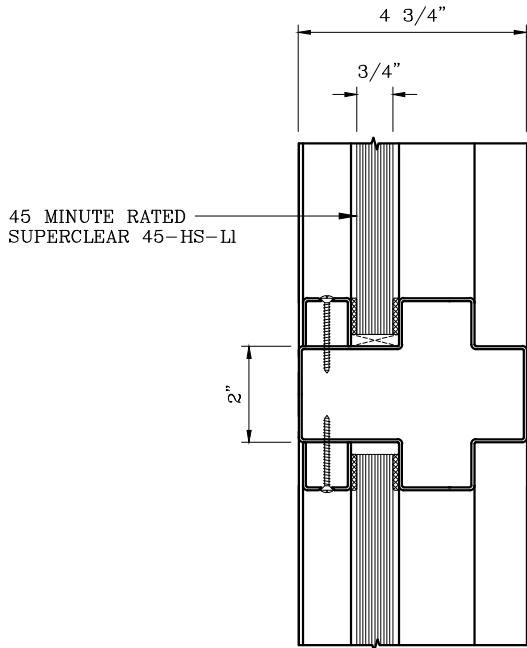
SCALE:

These details are subject to change without notice.

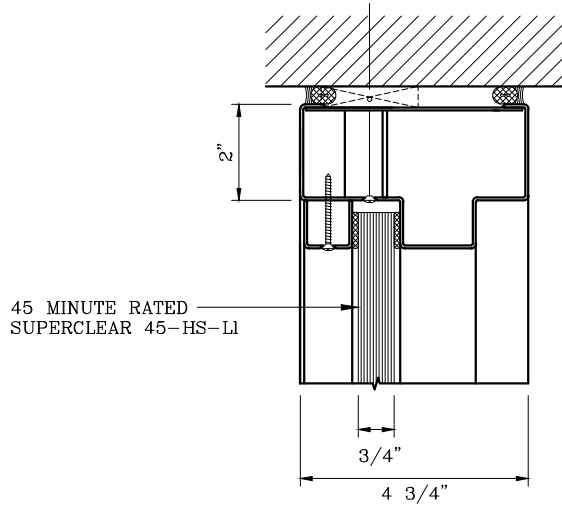
20 MINUTE FIRE PROTECTIVE DOOR PAIR WITH 45 MINUTE FIRE PROTECTIVE SIDELITES/TRANSOMS

-INTERIOR APPLICATION-

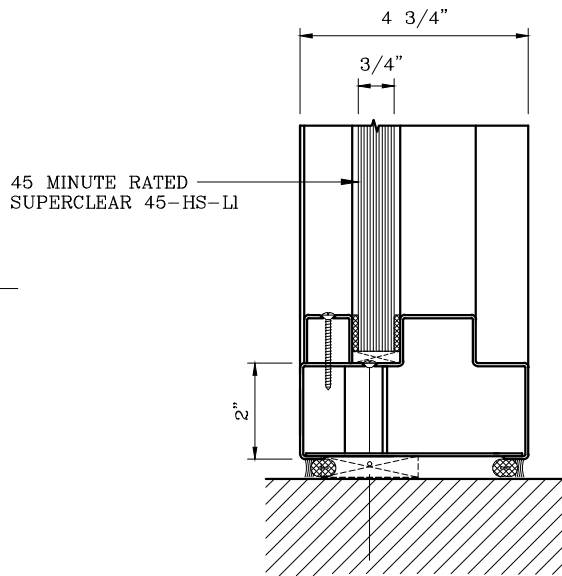
For more details, please visit www.safti.com



3 HORIZONTAL MULLION DETAIL



4 HEAD DETAIL



5 SILL DETAIL

SAFTIFIRST™
FIRE RATED GLAZING SOLUTIONS Since 1981
100 N. HILL DR. SUITE 12 TEL: (415) 824-4900
BRISBANE, CA 94005 FAX: (415) 824-5900

SuperClear 45-HS-L1
Patent Pending
GPX BUILDERS SERIES
FIRE PROTECTIVE

DATE:

DRAWN:

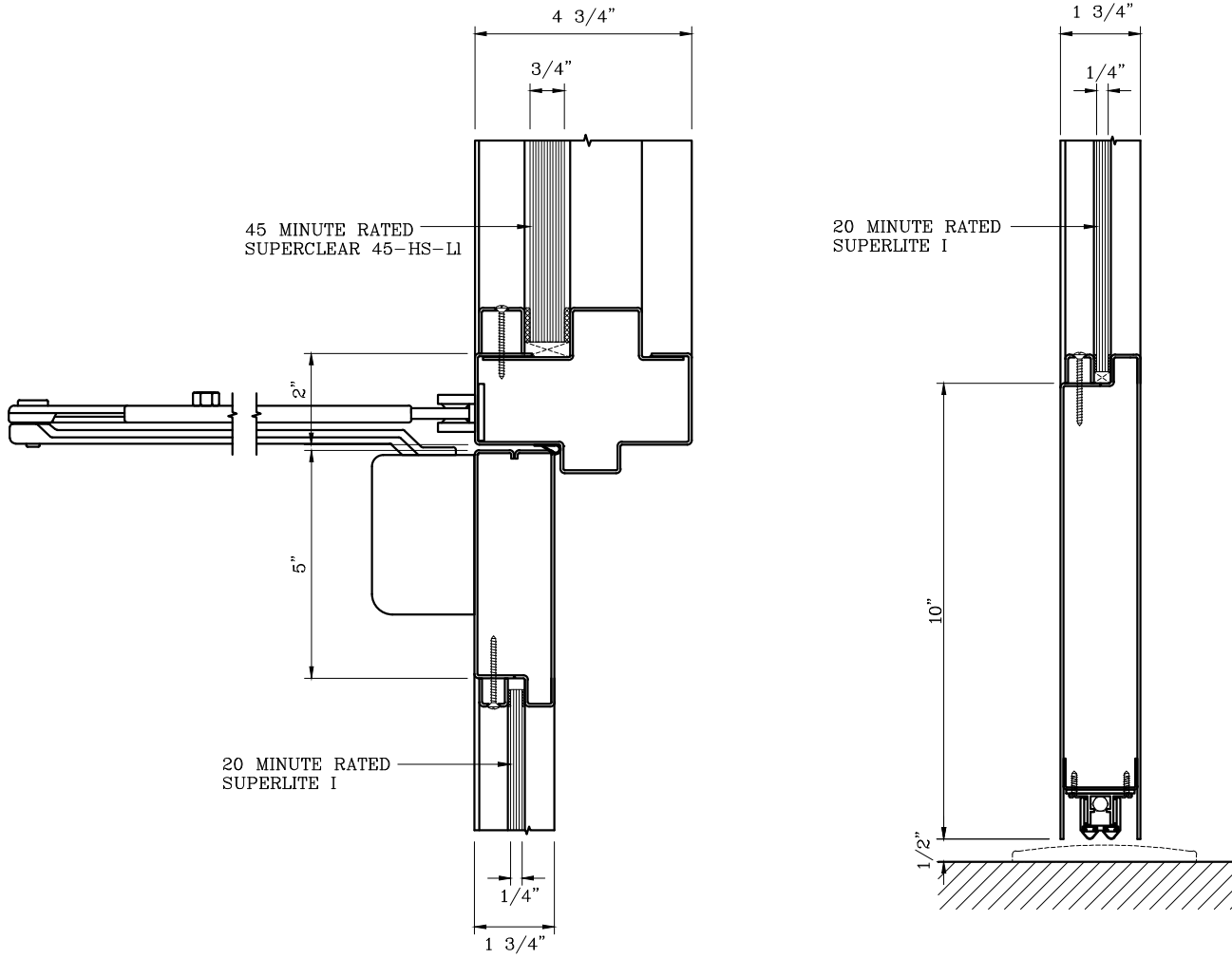
SCALE:

These details are subject to change without notice.

20 MINUTE FIRE PROTECTIVE DOOR PAIR WITH 45 MINUTE FIRE PROTECTIVE SIDELITES/TRANSOMS

-INTERIOR APPLICATION-

For more details, please visit www.safti.com



(6) DOOR TOP RAIL DETAIL

(7) DOOR BOTTOM RAIL DETAIL

SAFTIFIRST™
 FIRE RATED GLAZING SOLUTIONS Since 1981
 100 N. HILL DR. SUITE 12 TEL: (415) 824-4900
 BRISBANE, CA 94005 FAX: (415) 824-5900

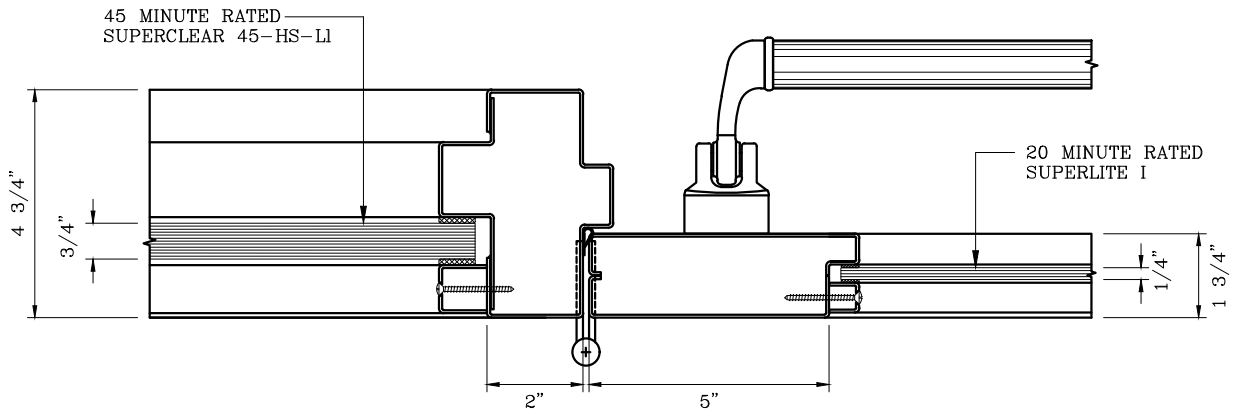
SuperClear 45-HS-LI
Patent Pending
GPX BUILDERS SERIES
 FIRE PROTECTIVE

DATE:	
DRAWN:	SCALE:

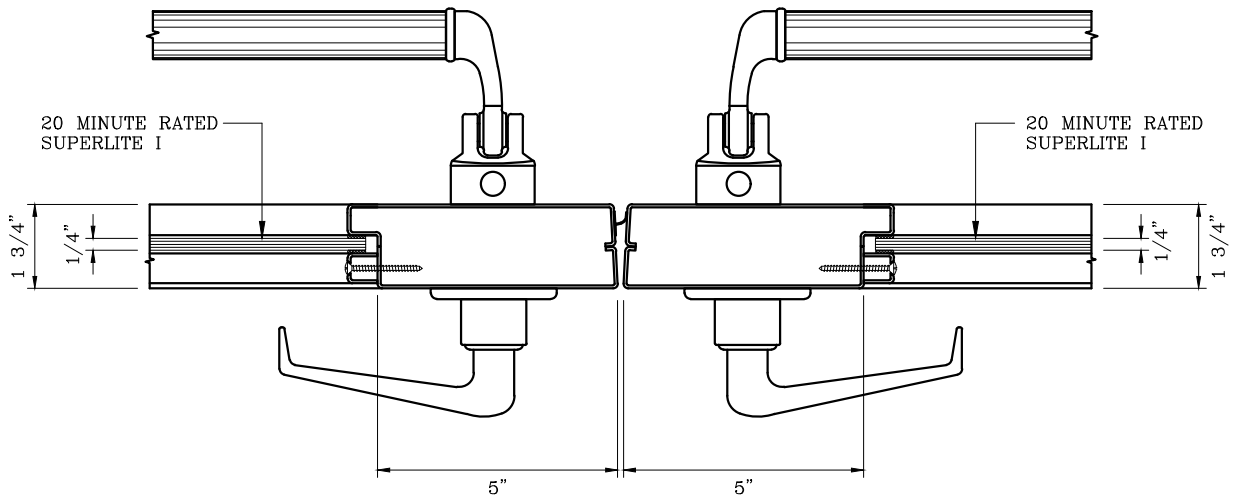
These details are subject to change without notice.

20 MINUTE FIRE PROTECTIVE DOOR PAIR WITH 45 MINUTE FIRE PROTECTIVE SIDELITES/TRANSOMS -INTERIOR APPLICATION-

For more details, please visit www.safti.com



8 DOOR JAMB at HINGE DETAIL



9 DOOR MEETING STILES DETAIL

SAFTIFIRST™
FIRE RATED GLAZING SOLUTIONS Since 1981
100 N. HILL DR. SUITE 12 TEL: (415) 824-4900
BRISBANE, CA 94005 FAX: (415) 824-5900

SuperClear 45-HS-LI
Patent Pending
GPX BUILDERS SERIES
FIRE PROTECTIVE

DATE:

DRAWN:

SCALE:

These details are subject to change without notice.