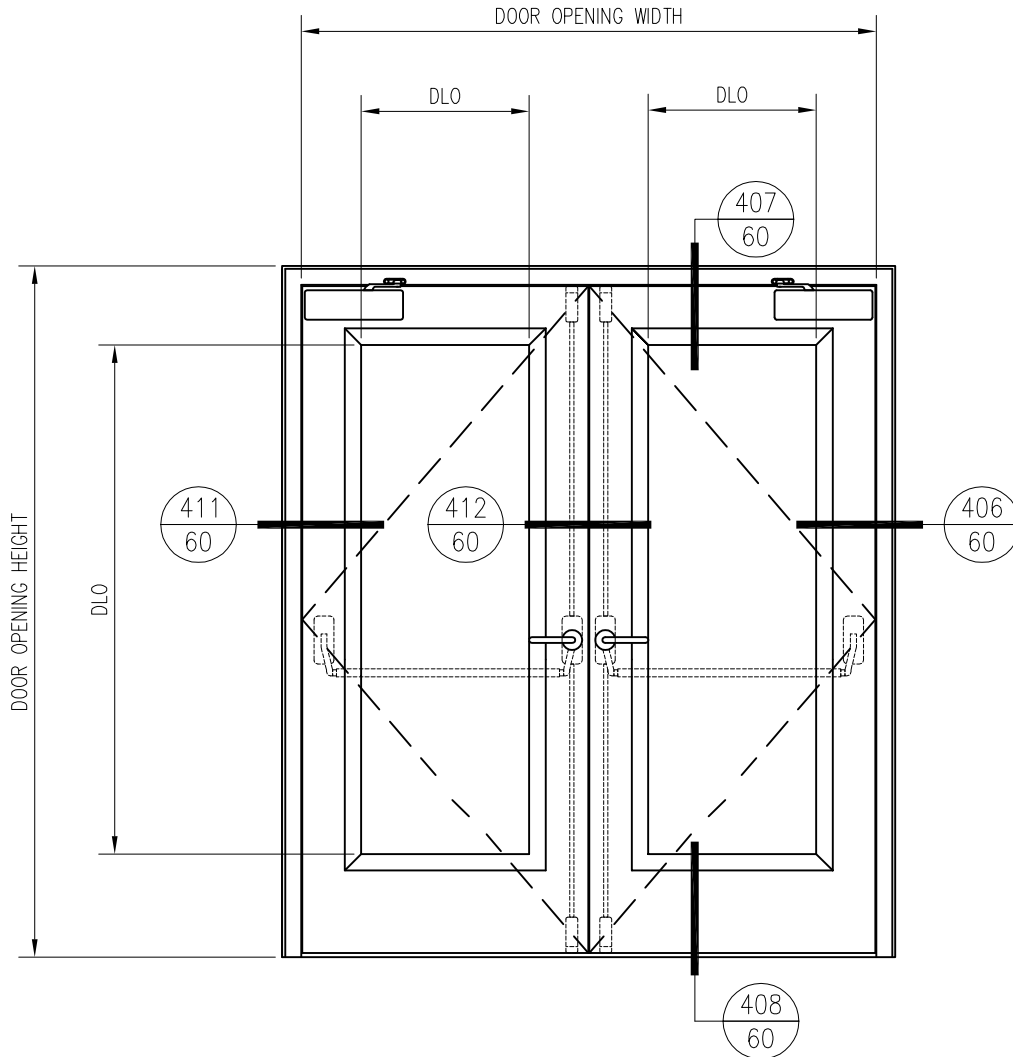


# 60 MINUTE TEMPERATURE RISE PAIR DOOR

For more details, please visit [www.safti.com](http://www.safti.com)



BUTR-DP-60R-IIXL-IGU

- 5" GPX BUILDERS SERIES TEMPERATURE RISE PAIR DOOR WITH SUPERLITE II-XL 60 IGU -  
 - EXTERIOR APPLICATION -

**SAFTIFIRST™**  
 FIRE RATED GLAZING SOLUTIONS *Since 1982*  
 100 N. HILL DR. SUITE 12 TEL: (415) 824-4900  
 BRISBANE, CA 94005 FAX: (415) 824-5900

**SuperLite™ II-XL**  
**GPX BUILDERS SERIES**  
 TEMPERATURE RISE

DATE:

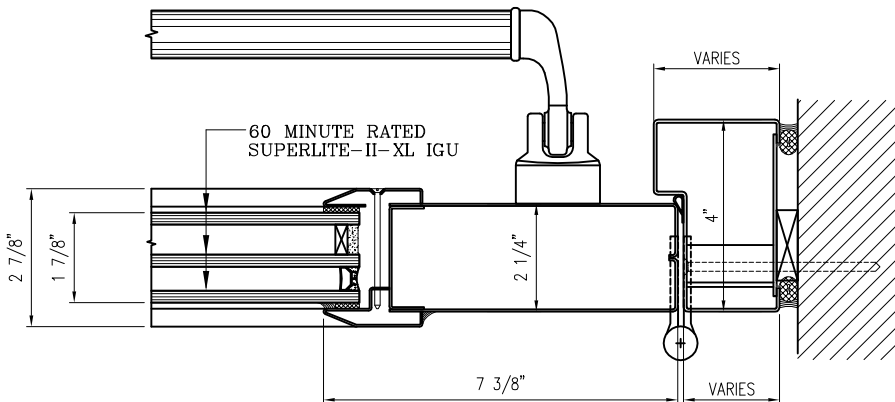
DRAWN:

SCALE:

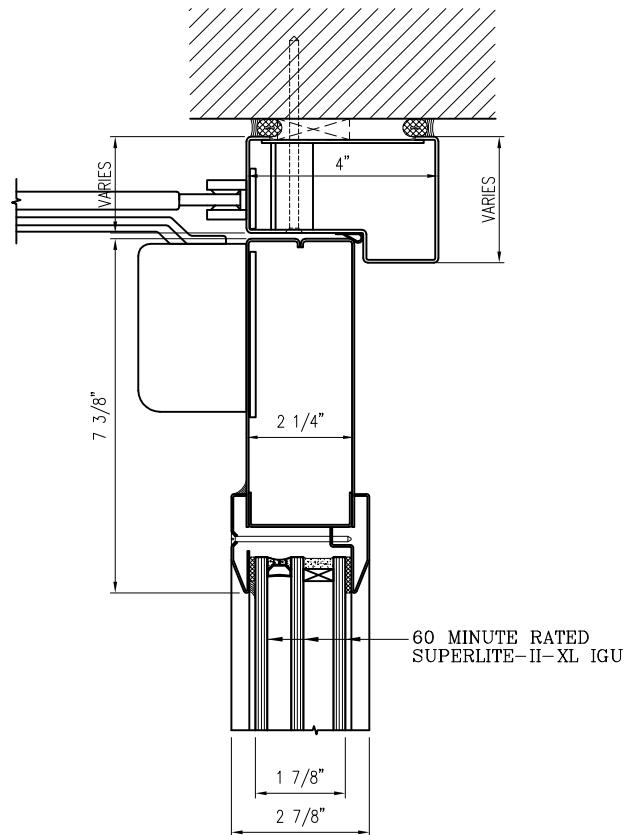
These details are subject to change without notice.

# 60 MINUTE TEMPERATURE RISE PAIR DOOR

For more details, please visit [www.safti.com](http://www.safti.com)



406 DOOR JAMB at HINGE DETAIL  
60 BUTR-DP-60R-IIXL-IGU



407 DOOR TOP RAIL DETAIL  
60 BUTR-DP-60R-IIXL-IGU

**SAFTIFIRST™**  
FIRE RATED GLAZING SOLUTIONS *Since 1982*  
100 N. HILL DR. SUITE 12 TEL: (415) 824-4900  
BRISBANE, CA 94005 FAX: (415) 824-5900

**SuperLite™ II-XL**  
**GPX BUILDERS SERIES**  
TEMPERATURE RISE

DATE:

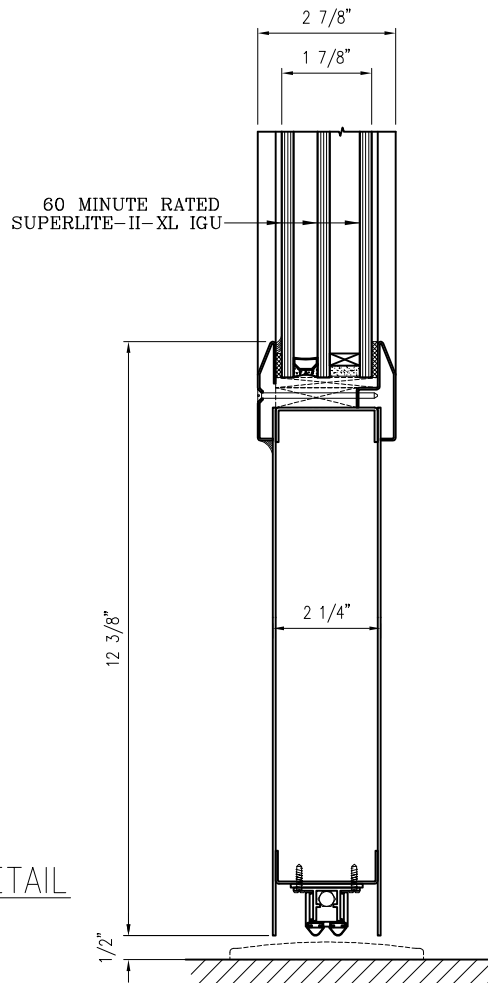
DRAWN:

SCALE:

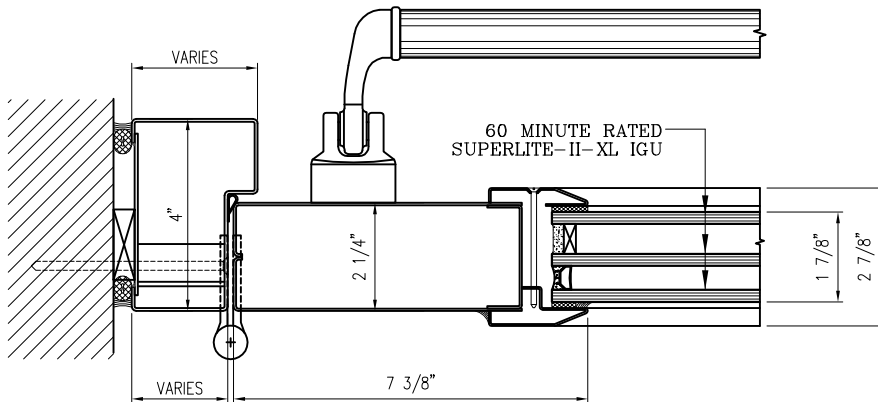
These details are subject to change without notice.

# 60 MINUTE TEMPERATURE RISE PAIR DOOR

For more details, please visit [www.safti.com](http://www.safti.com)



408 DOOR BOTTOM RAIL DETAIL  
60 BU-TR-DP-60R-II-XL-IGU



411 DOOR JAMB at HINGE DETAIL  
60 BU-TR-DP-60R-II-XL-IGU

**SAFTIFIRST™**  
FIRE RATED GLAZING SOLUTIONS *Since 1982*  
100 N. HILL DR. SUITE 12 TEL: (415) 824-4900  
BRISBANE, CA 94005 FAX: (415) 824-5900

**SuperLite™ II-XL**  
**GPX BUILDERS**  
**SERIES**  
TEMPERATURE RISE

DATE:

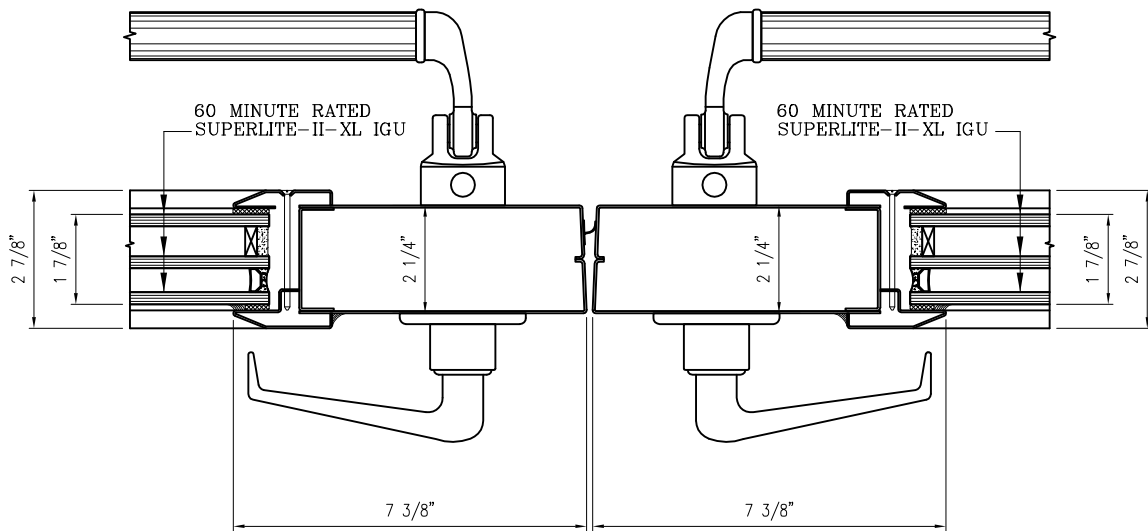
DRAWN:

SCALE:

These details are subject to change without notice.

# 60 MINUTE TEMPERATURE RISE PAIR DOOR

For more details, please visit [www.safti.com](http://www.safti.com)



412 DOOR MEETING STILES DETAIL  
60 BUTR-DP-60R-II-XL-IGU

 **SAFTIFIRST**™  
FIRE RATED GLAZING SOLUTIONS Since 1982  
100 N. HILL DR. SUITE 12 TEL: (415) 824-4900  
BRISBANE, CA 94005 FAX: (415) 824-5900

**SuperLite™ II-XL**  
**GPX BUILDERS**  
**SERIES**  
TEMPERATURE RISE

DATE:

DRAWN:

SCALE:

These details are subject to change without notice.