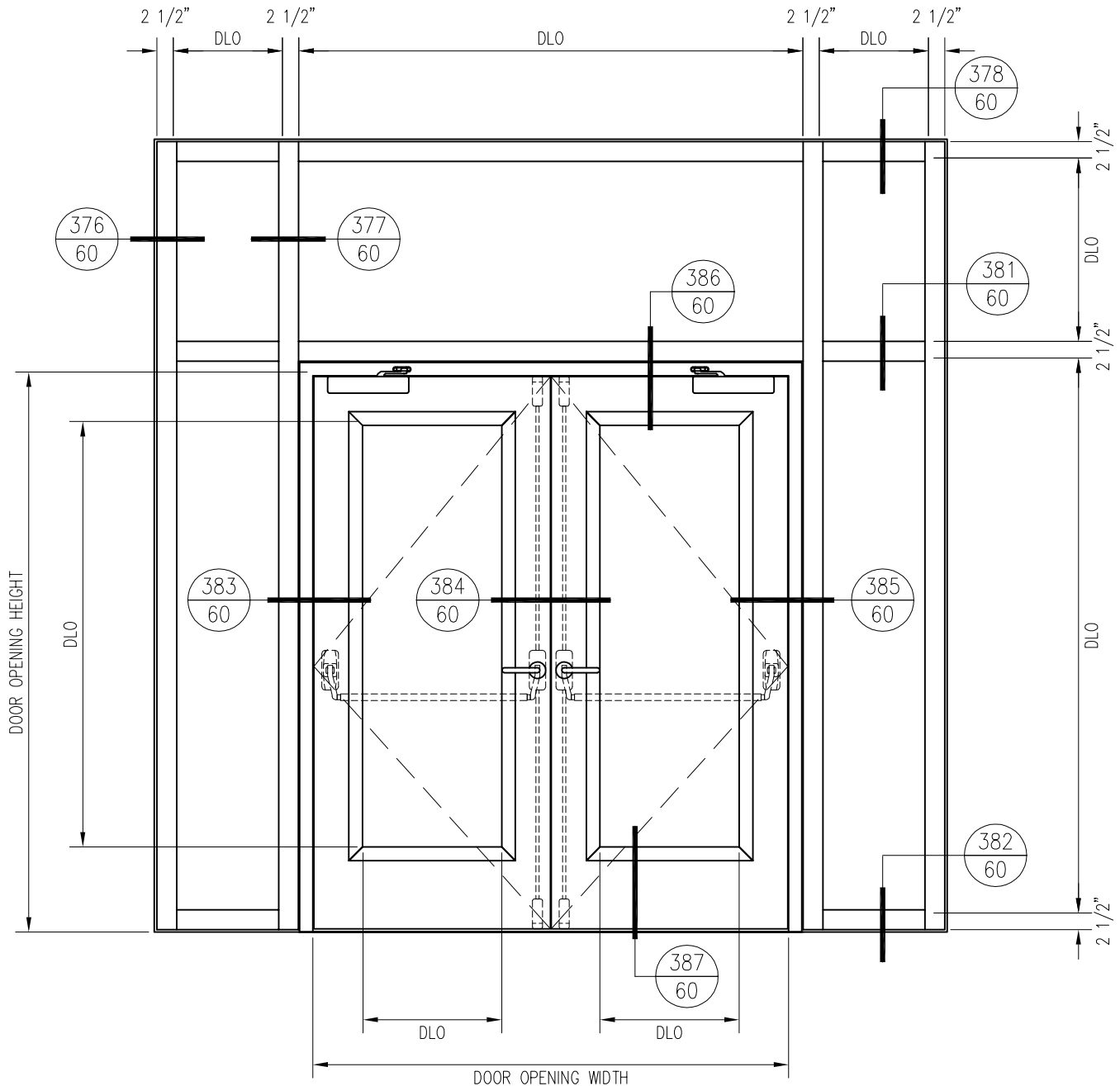


60 MINUTE TEMPERATURE RISE PAIR DOOR WITH 60 MINUTE FIRE RESISTIVE GPX WALL/WINDOW

For more details, please visit www.safti.com



BUTR-DP-60R-IIXL-IGU/GPX-W-60R-IIXL-IGU
 - GPX BUILDERS SERIES TEMPERATURE RISE DOOR PAIR WITH SUPERLITE II-XL 60 IGU -
 - 2 1/2" GPX ARCHITECTURAL SERIES WALL/WINDOW WITH SUPERLITE II-XL 60 IGU -
 - EXTERIOR APPLICATION -


SAFTIFIRST™
 FIRE RATED GLAZING SOLUTIONS *Since 1982*
 100 N. HILL DR. SUITE 12 TEL: (415) 824-4900
 BRISBANE, CA 94005 FAX: (415) 824-5900

SuperLite™ II-XL
GPX BUILDERS
SERIES
TEMPERATURE RISE

DATE:

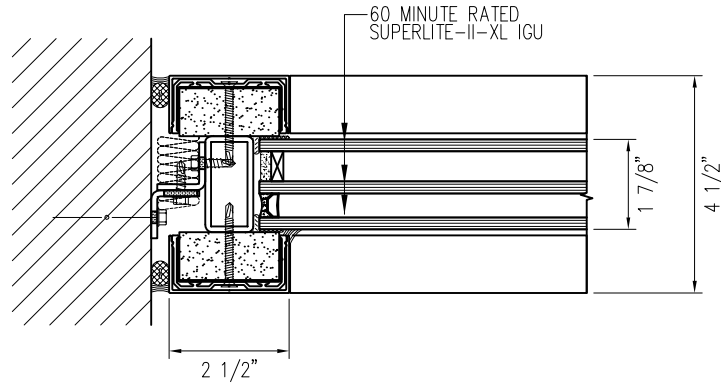
DRAWN:

SCALE:

These details are subject to change without notice.

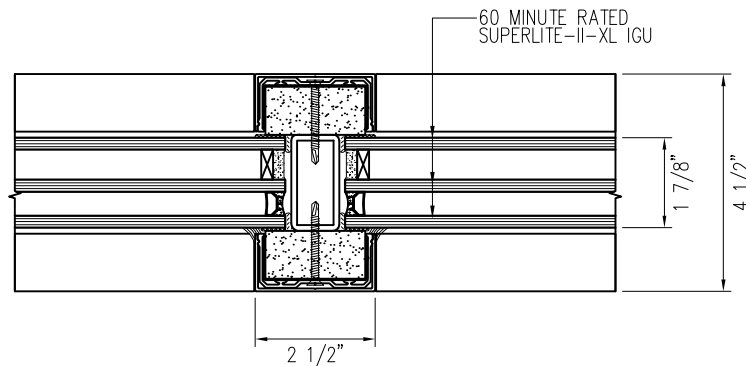
60 MINUTE TEMPERATURE RISE PAIR DOOR WITH 60 MINUTE FIRE RESISTIVE GPX WALL/WINDOW

For more details, please visit www.safti.com



376
60

JAMB DETAIL
 GPX-W-60R-IIXL-IGU



377
60

VERTICAL MULLION DETAIL
 GPX-W-60R-IIXL-IGU

SAFTIFIRST™
 FIRE RATED GLAZING SOLUTIONS *Since 1982*
 100 N. HILL DR. SUITE 12 TEL: (415) 824-4900
 BRISBANE, CA 94005 FAX: (415) 824-5900

SuperLite™ II-XL
GPX BUILDERS
SERIES
TEMPERATURE RISE

DATE:

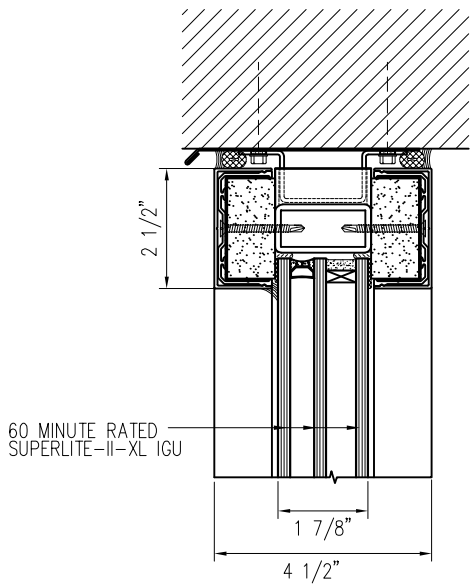
DRAWN:

SCALE:

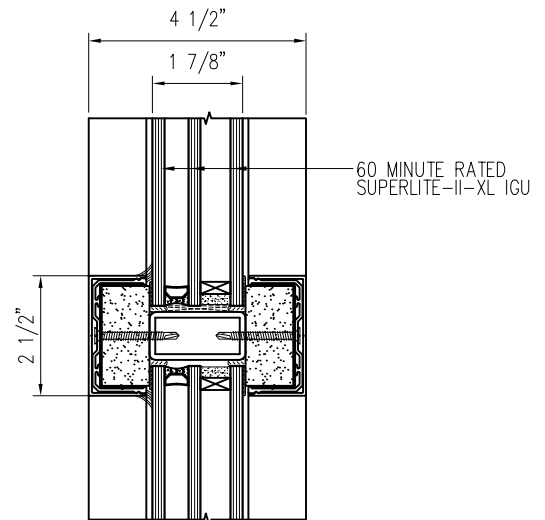
These details are subject to change without notice.

60 MINUTE TEMPERATURE RISE PAIR DOOR WITH 60 MINUTE FIRE RESISTIVE GPX WALL/WINDOW

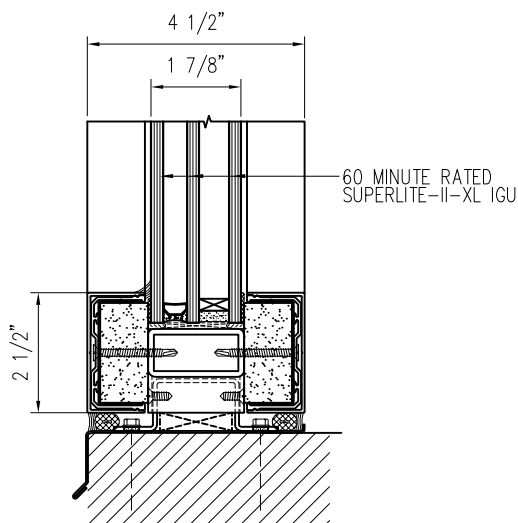
For more details, please visit www.safti.com



378 HEAD DETAIL
60 GPX-W-60R-IIXL-IGU



381 HORIZONTAL MULLION DETAIL
60 GPX-W-60R-IIXL-IGU



382 SILL DETAIL
60 GPX-W-60R-IIXL-IGU

SAFTIFIRST™
FIRE RATED GLAZING SOLUTIONS *Since 1982*
100 N. HILL DR. SUITE 12 TEL: (415) 824-4900
BRISBANE, CA 94005 FAX: (415) 824-5900

SuperLite™ II-XL
GPX BUILDERS SERIES
TEMPERATURE RISE

DATE:

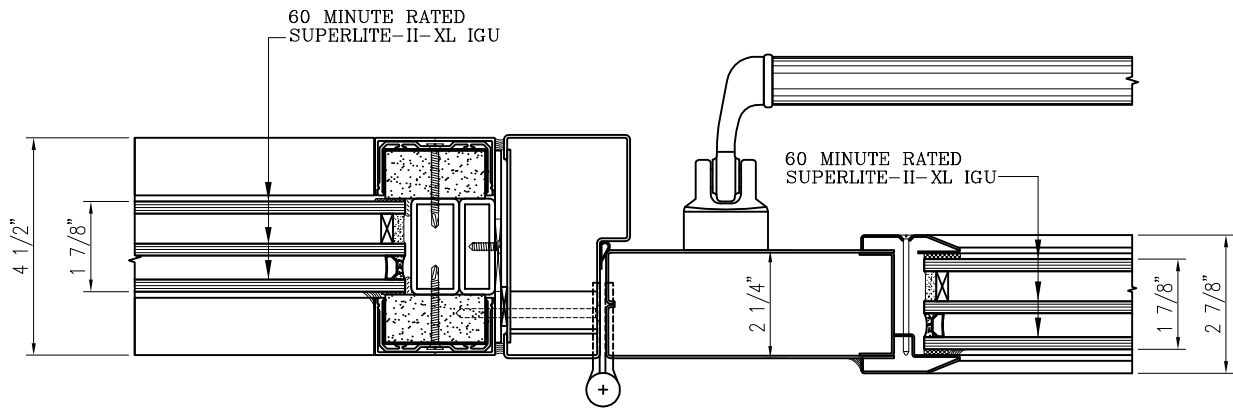
DRAWN:

SCALE:

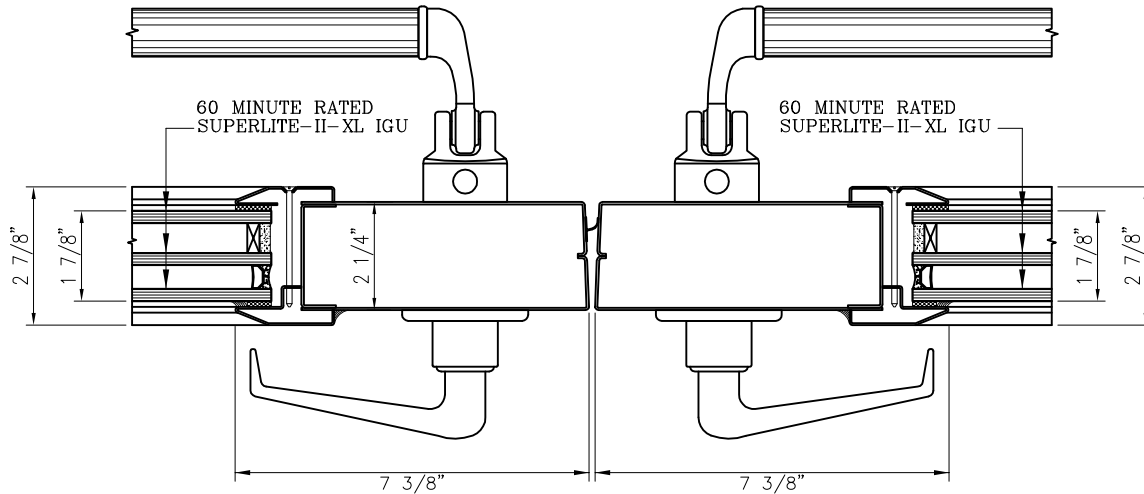
These details are subject to change without notice.

60 MINUTE TEMPERATURE RISE PAIR DOOR WITH 60 MINUTE FIRE RESISTIVE GPX WALL/WINDOW

For more details, please visit www.safti.com



383 DOOR JAMB at SIDELITE DETAIL
60 BUTR-DP-60R-IIXL-IGU/GPX-W-60R-IIXL-IGU



384 DOOR MEETING STILES DETAIL
60 BUTR-DP-60R-IIXL-IGU

SAFTIFIRST™
FIRE RATED GLAZING SOLUTIONS *Since 1982*
100 N. HILL DR. SUITE 12 TEL: (415) 824-4900
BRISBANE, CA 94005 FAX: (415) 824-5900

SuperLite™ II-XL
GPX BUILDERS
SERIES
TEMPERATURE RISE

DATE:

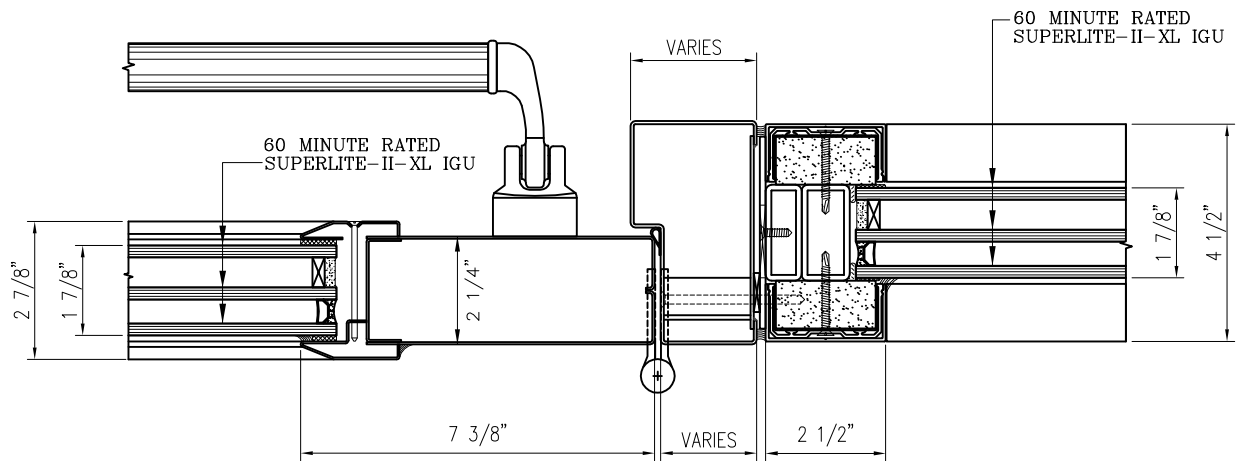
DRAWN:

SCALE:

These details are subject to change without notice.

60 MINUTE TEMPERATURE RISE PAIR DOOR WITH 60 MINUTE FIRE RESISTIVE GPX WALL/WINDOW

For more details, please visit www.safti.com



385
60

 DOOR JAMB at SIDELITE DETAIL
 BUTR-DP-60R-II-XL-IGU/GPX-W-60R-II-XL-IGU

SAFTIFIRST™
 FIRE RATED GLAZING SOLUTIONS *Since 1982*
 100 N. HILL DR. SUITE 12 TEL: (415) 824-4900
 BRISBANE, CA 94005 FAX: (415) 824-5900

SuperLite™ II-XL
GPX BUILDERS
SERIES
TEMPERATURE RISE

DATE:

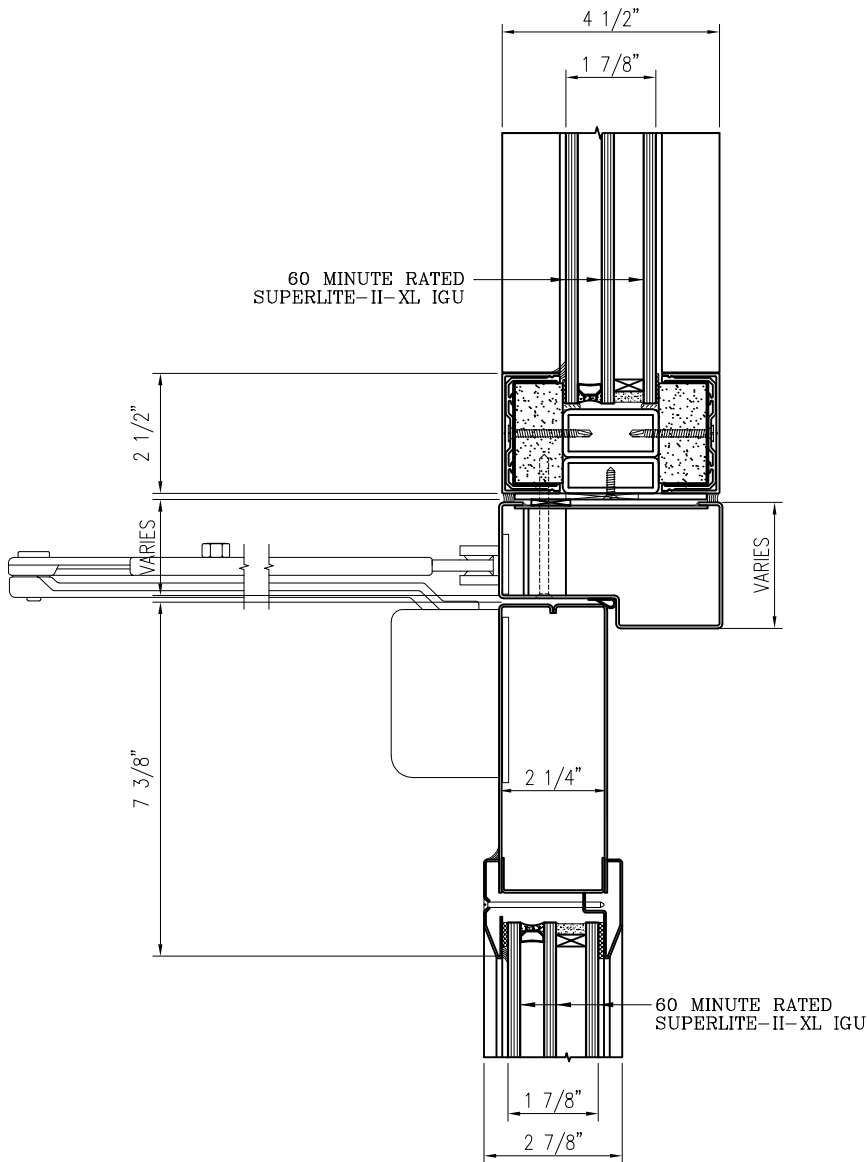
DRAWN:

SCALE:

These details are subject to change without notice.

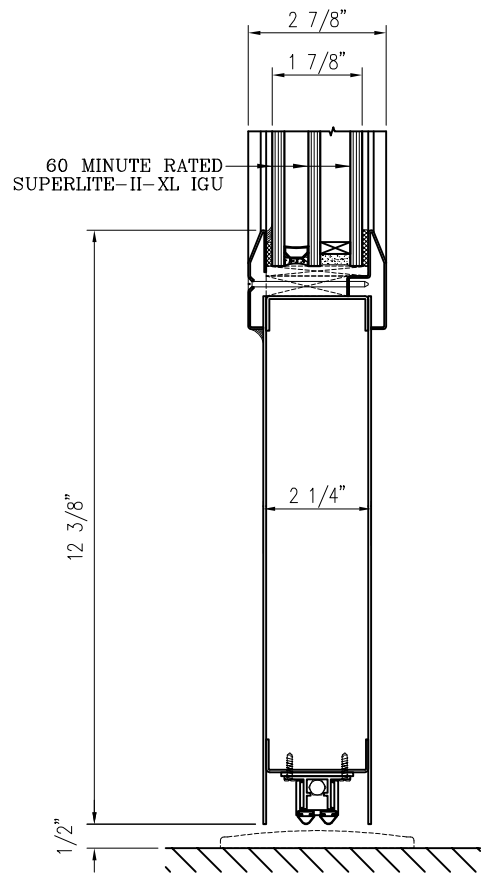
60 MINUTE TEMPERATURE RISE PAIR DOOR WITH 60 MINUTE FIRE RESISTIVE GPX WALL/WINDOW

For more details, please visit www.safti.com



386
60

DOOR TOP RAIL DETAIL
 BUTR-DP-60R-IIXL-IGU/GPX-W-60R-IIXL-IGU



387
60

DOOR BOTTOM RAIL DETAIL
 BUTR-DP-60R-IIX-IGU

SAFTIFIRST™
 FIRE RATED GLAZING SOLUTIONS Since 1982
 100 N. HILL DR. SUITE 12 TEL: (415) 824-4900
 BRISBANE, CA 94005 FAX: (415) 824-5900

SuperLite™ II-XL
GPX BUILDERS
SERIES
TEMPERATURE RISE

DATE:

DRAWN:

SCALE:

These details are subject to change without notice.