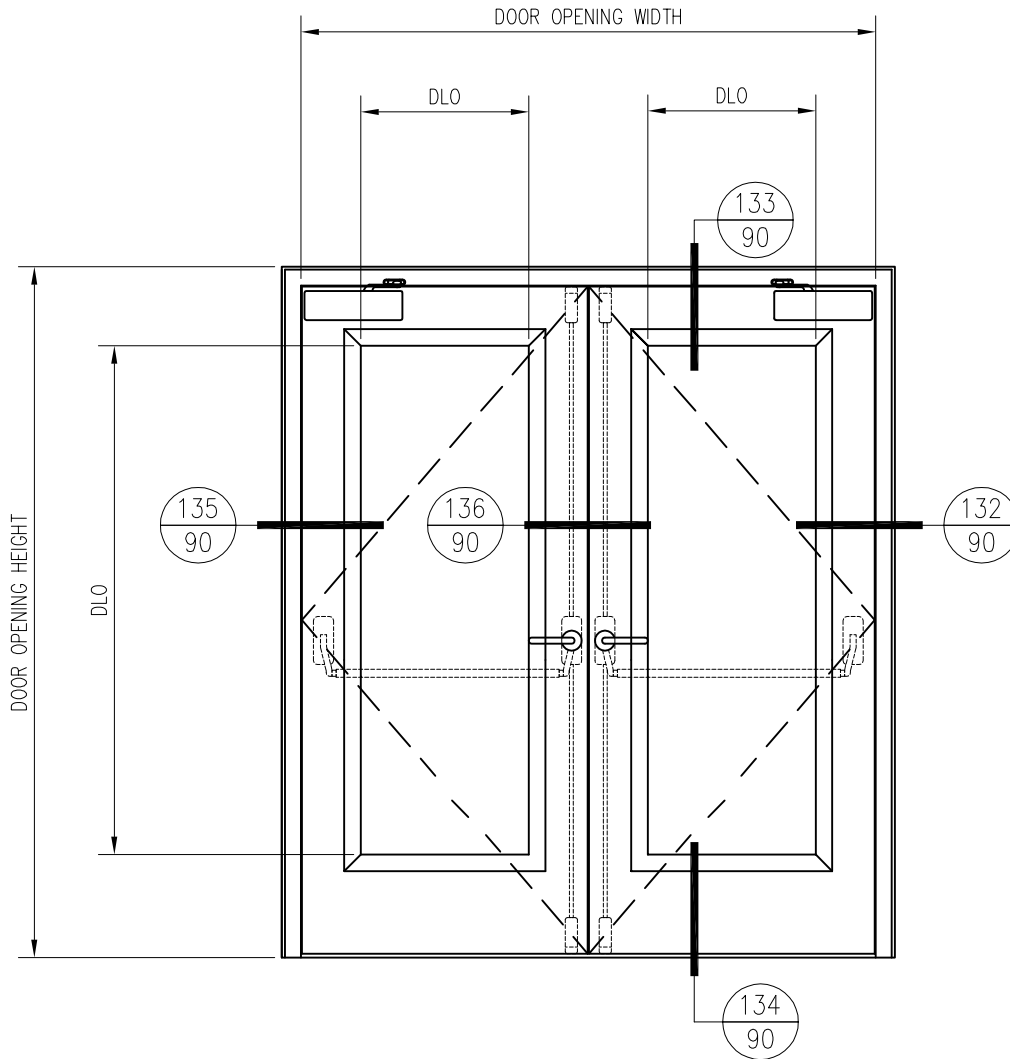


# 90 MINUTE TEMPERATURE RISE PAIR DOOR

For more details, please visit [www.safti.com](http://www.safti.com)



BUTR-DP-90R-IIXL

- 5" GPX BUILDERS SERIES TEMPERATURE RISE PAIR DOOR WITH SUPERLITE II-XL 90 -  
- INTERIOR APPLICATION -

**SAFTIFIRST**™  
FIRE RATED GLAZING SOLUTIONS Since 1982  
100 N. HILL DR. SUITE 12 TEL: (415) 824-4900  
BRISBANE, CA 94005 FAX: (415) 824-5900

**SuperLite™ II-XL**  
**GPX BUILDERS**  
**SERIES**  
TEMPERATURE RISE

DATE:

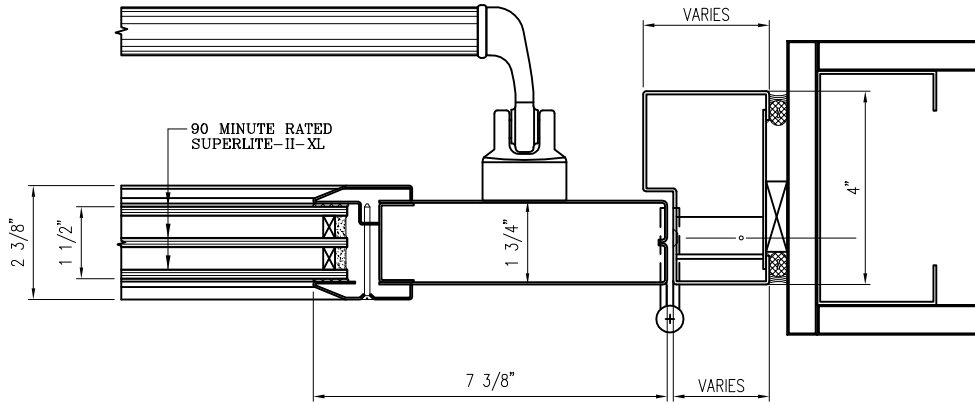
DRAWN:

SCALE:

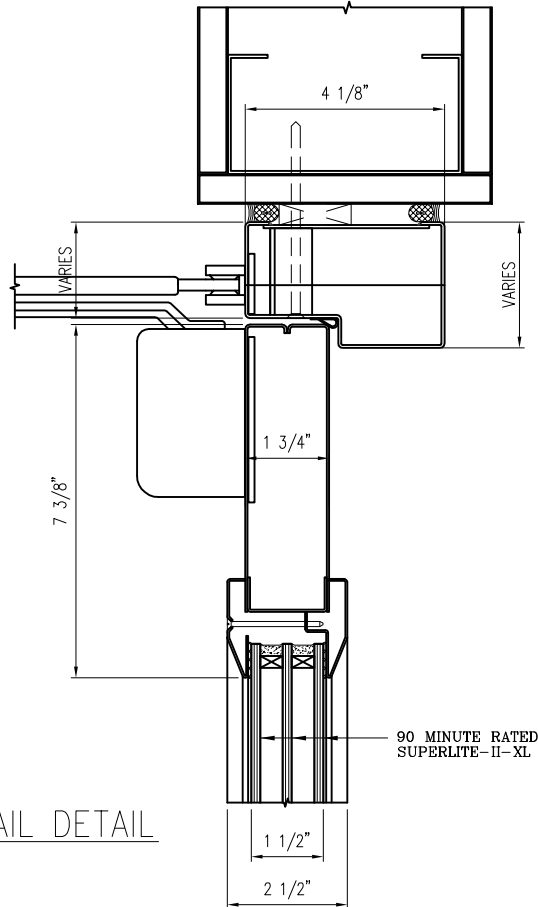
These details are subject to change without notice.

# 90 MINUTE TEMPERATURE RISE PAIR DOOR

For more details, please visit [www.safti.com](http://www.safti.com)



132 DOOR JAMB at HINGE DETAIL  
90 BUTR-DP-90R-II-XL



133 DOOR TOP RAIL DETAIL  
90 BUTR-DP-90R-II-XL

**SAFTIFIRST™**  
FIRE RATED GLAZING SOLUTIONS Since 1982  
100 N. HILL DR. SUITE 12 TEL: (415) 824-4900  
BRISBANE, CA 94005 FAX: (415) 824-5900

**SuperLite™ II-XL**  
**GPX BUILDERS**  
**SERIES**  
TEMPERATURE RISE

DATE:

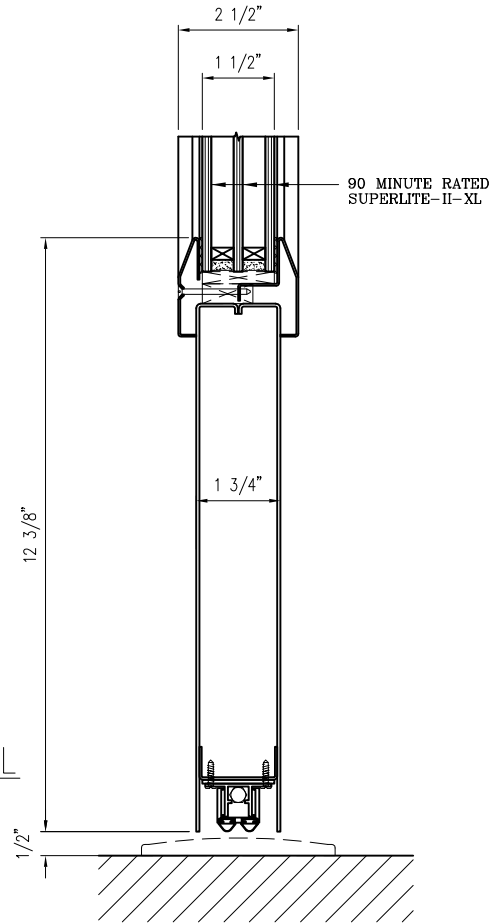
DRAWN:

SCALE:

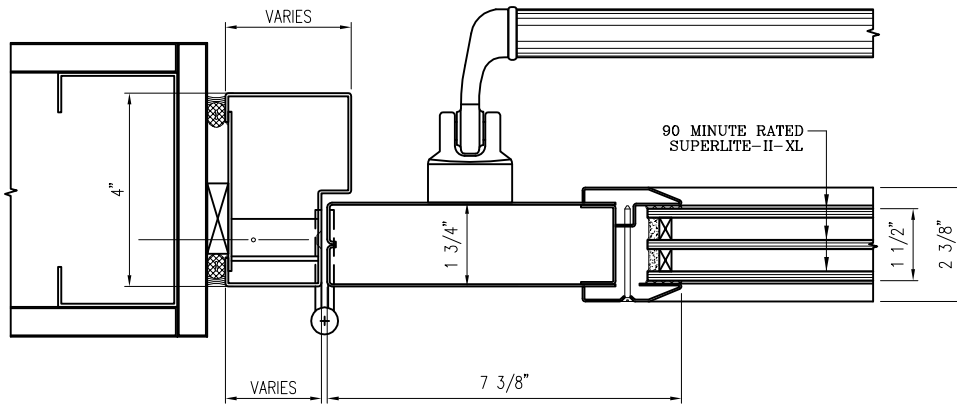
These details are subject to change without notice.

# 90 MINUTE TEMPERATURE RISE PAIR DOOR

For more details, please visit [www.safti.com](http://www.safti.com)



134 DOOR BOTTOM RAIL DETAIL  
90 BUTR-DP-90R-IIXL



135 DOOR JAMB at HINGE DETAIL  
90 BUTR-DP-90R-IIXL

**SAFTIFIRST**™  
FIRE RATED GLAZING SOLUTIONS Since 1982  
100 N. HILL DR. SUITE 12 TEL: (415) 824-4900  
BRISBANE, CA 94005 FAX: (415) 824-5900

**SuperLite™ II-XL**  
**GPX BUILDERS**  
**SERIES**  
TEMPERATURE RISE

DATE:

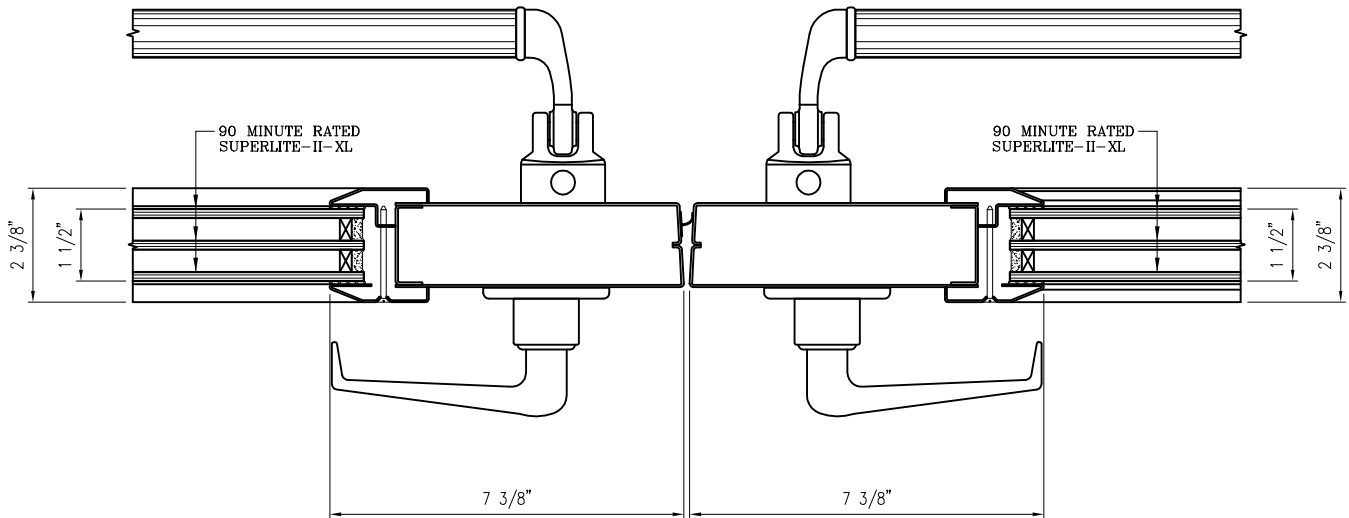
DRAWN:

SCALE:

These details are subject to change without notice.

# 90 MINUTE TEMPERATURE RISE PAIR DOOR

For more details, please visit [www.safti.com](http://www.safti.com)



136 DOOR MEETING STILES DETAIL  
90 BUTR-DP-90R-IIXL

 **SAFTIFIRST**™  
FIRE RATED GLAZING SOLUTIONS Since 1982  
100 N. HILL DR. SUITE 12 TEL: (415) 824-4900  
BRISBANE, CA 94005 FAX: (415) 824-5900

**SuperLite™ II-XL**  
**GPX BUILDERS**  
**SERIES**  
TEMPERATURE RISE

DATE:

DRAWN:

SCALE:

These details are subject to change without notice.