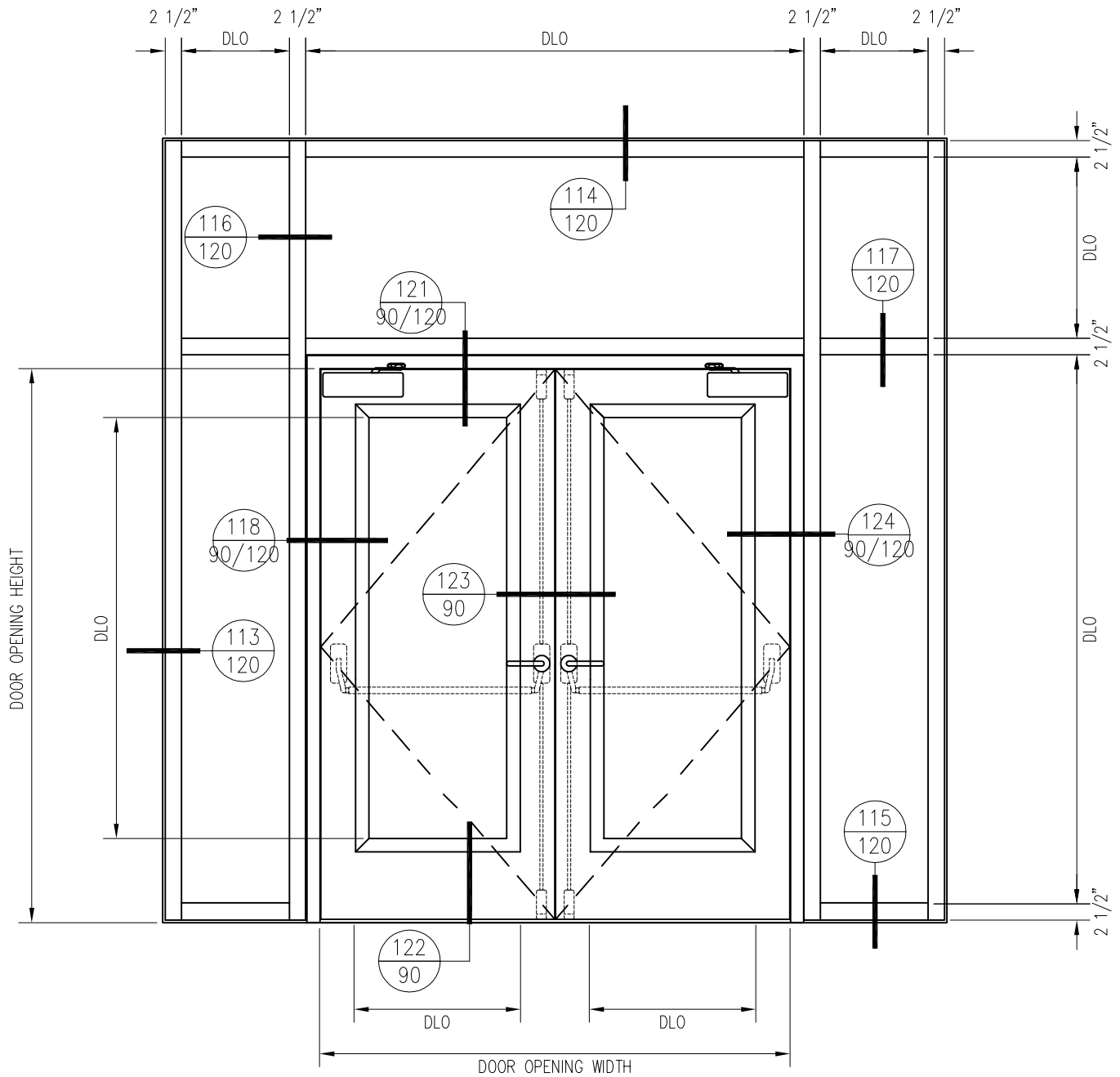


90 MINUTE TEMPERATURE RISE PAIR DOOR WITH 120 MINUTE FIRE RESISTIVE GPX WALL/WINDOW

For more details, please visit www.safti.com



BUTR-DP-90R-IIXL/GPX-W-120R-IIXL

- GPX BUILDERS SERIES TEMPERATURE RISE DOOR PAIR WITH SUPERLITE II-XL 90 -
- 2 1/2" GPX ARCHITECTURAL SERIES WALL/WINDOW WITH SUPERLITE II-XL 120 -
- INTERIOR APPLICATION -

SAFTIFIRST™
 FIRE RATED GLAZING SOLUTIONS *Since 1982*
 100 N. HILL DR. SUITE 12 TEL: (415) 824-4900
 BRISBANE, CA 94005 FAX: (415) 824-5900

SuperLite™ II-XL
GPX BUILDERS SERIES
 TEMPERATURE RISE

DATE:

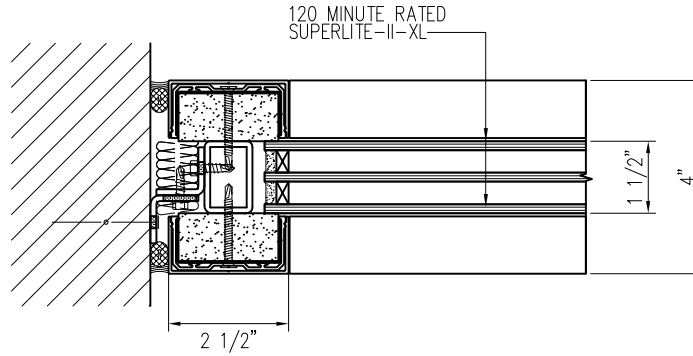
DRAWN:

SCALE:

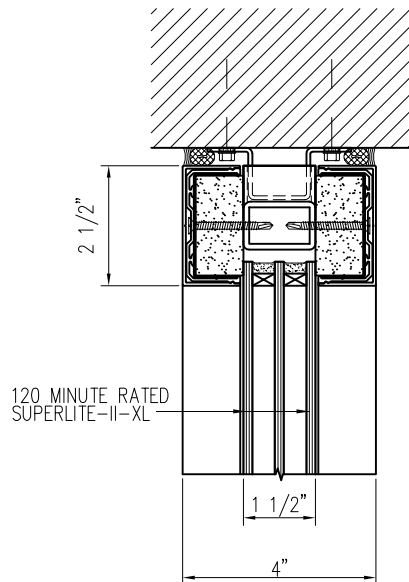
These details are subject to change without notice.

90 MINUTE TEMPERATURE RISE PAIR DOOR WITH 120 MINUTE FIRE RESISTIVE GPX WALL/WINDOW

For more details, please visit www.safti.com



113 JAMB DETAIL
120 GPX-W-120R-IIXL



114 HEAD DETAIL
120 GPX-W-120R-IIXL

SAFTIFIRST™
FIRE RATED GLAZING SOLUTIONS Since 1982
100 N. HILL DR. SUITE 12 TEL: (415) 824-4900
BRISBANE, CA 94005 FAX: (415) 824-5900

SuperLite™ II-XL
GPX BUILDERS SERIES
TEMPERATURE RISE

DATE:

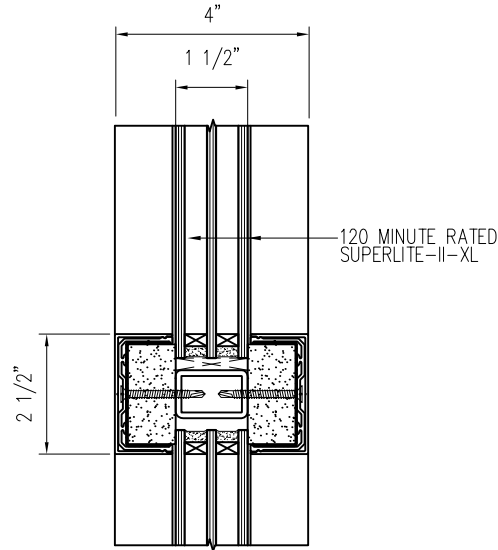
DRAWN:

SCALE:

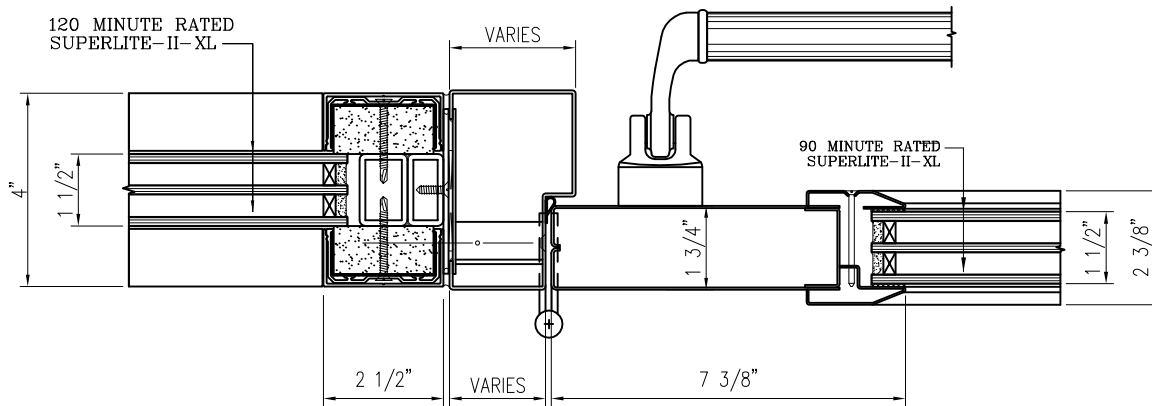
These details are subject to change without notice.

90 MINUTE TEMPERATURE RISE PAIR DOOR WITH 120 MINUTE FIRE RESISTIVE GPX WALL/WINDOW

For more details, please visit www.safti.com



117 HORIZONTAL MULLION DETAIL
90 GPX-W-120R-IIXL



118 DOOR JAMB at SIDELITE DETAIL
90 BUTR-DP-90R-IIXL/GPX-W-120R-IIXL

SAFTIFIRST™
FIRE RATED GLAZING SOLUTIONS Since 1982
100 N. HILL DR. SUITE 12 TEL: (415) 824-4900
BRISBANE, CA 94005 FAX: (415) 824-5900

SuperLite™ II-XL
GPX BUILDERS SERIES
TEMPERATURE RISE

DATE:

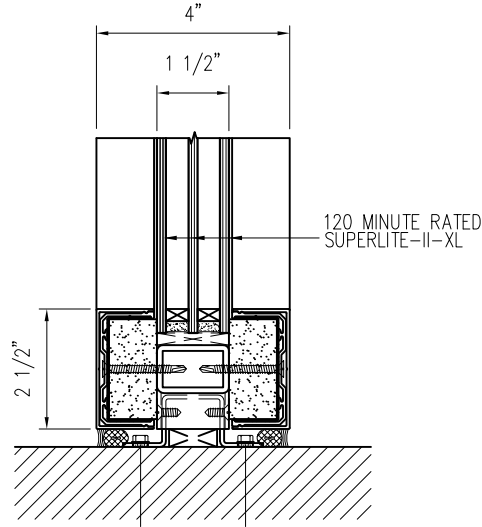
DRAWN:

SCALE:

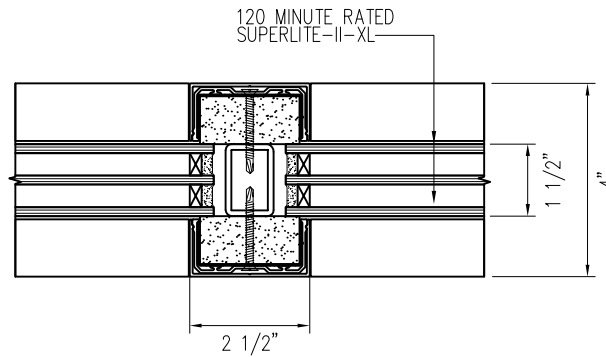
These details are subject to change without notice.

90 MINUTE TEMPERATURE RISE PAIR DOOR WITH 120 MINUTE FIRE RESISTIVE GPX WALL/WINDOW

For more details, please visit www.safti.com



115 SILL DETAIL
120 GPX-W-120R-IIXL



116 VERTICAL MULLION DETAIL
120 GPX-W-120R-IIXL

SAFTIFIRST™
 FIRE RATED GLAZING SOLUTIONS *Since 1982*
 100 N. HILL DR. SUITE 12 TEL: (415) 824-4900
 BRISBANE, CA 94005 FAX: (415) 824-5900

SuperLite™ II-XL
GPX BUILDERS SERIES
 TEMPERATURE RISE

DATE:

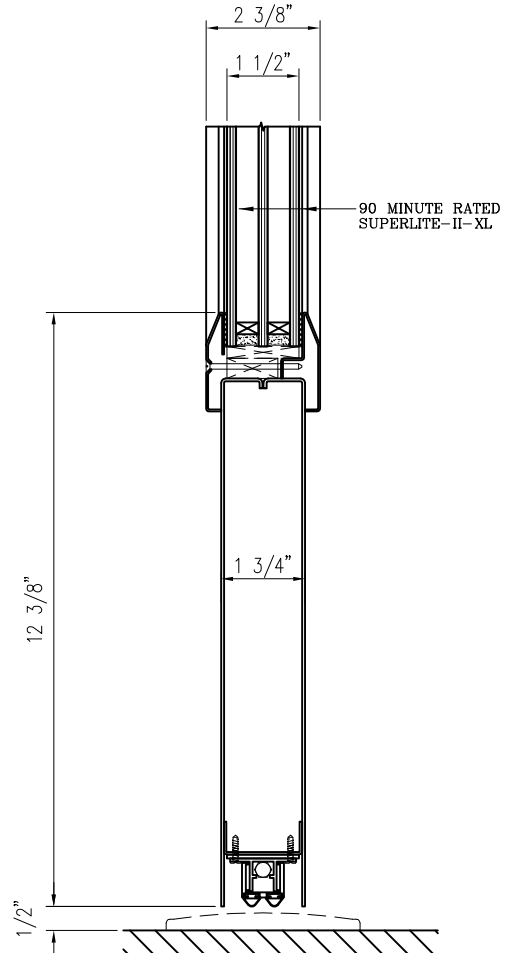
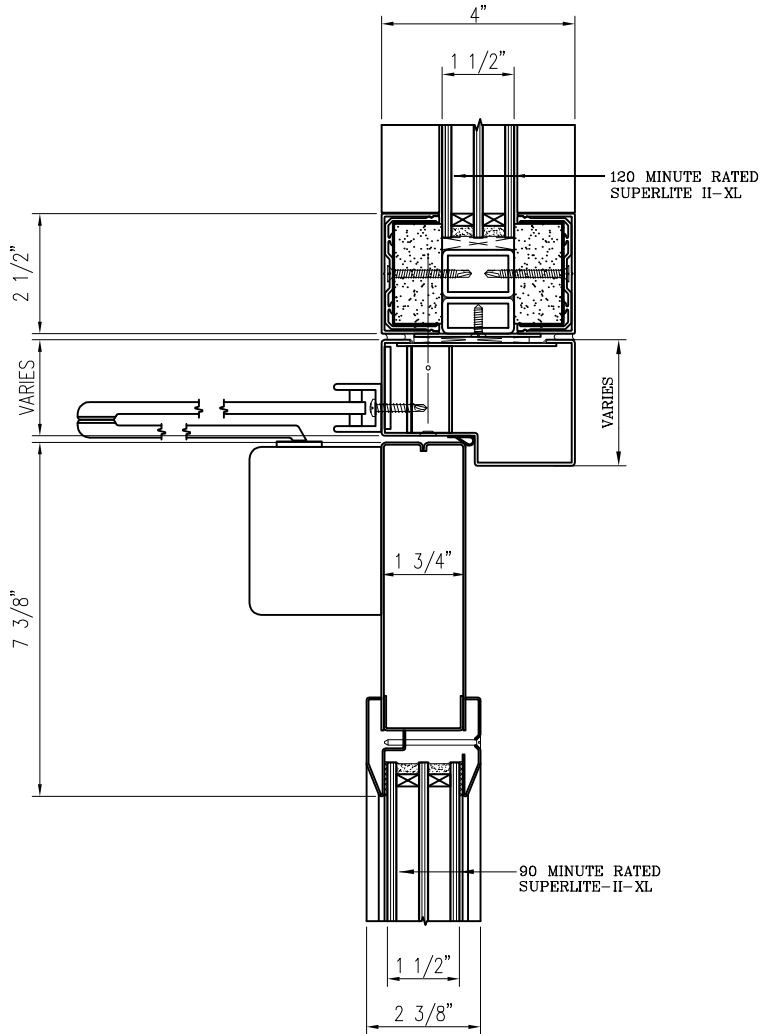
DRAWN:

SCALE:

These details are subject to change without notice.

90 MINUTE TEMPERATURE RISE PAIR DOOR WITH 120 MINUTE FIRE RESISTIVE GPX WALL/WINDOW

For more details, please visit www.safti.com



121 DOOR TOP RAIL DETAIL
90/120 BUTR-DP-90R-IIXL/GPX-W-120R-IIXL

122 DOOR BOTTOM RAIL DETAIL
90 BUTR-DP-90R-IIXL

SAFTIFIRST™
 FIRE RATED GLAZING SOLUTIONS *Since 1982*
 100 N. HILL DR. SUITE 12 TEL: (415) 824-4900
 BRISBANE, CA 94005 FAX: (415) 824-5900

SuperLite™ II-XL
GPX BUILDERS SERIES
 TEMPERATURE RISE

DATE:

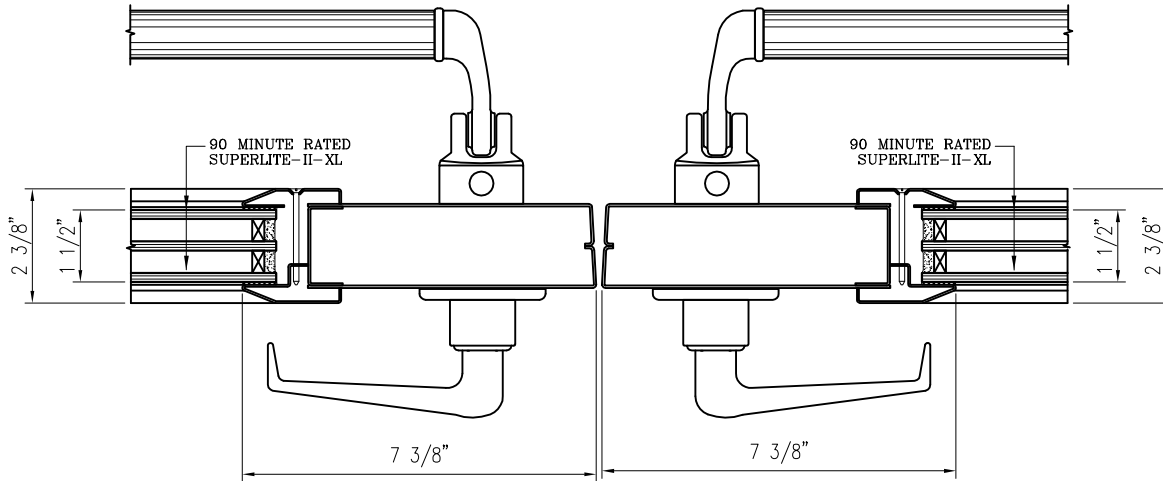
DRAWN:

SCALE:

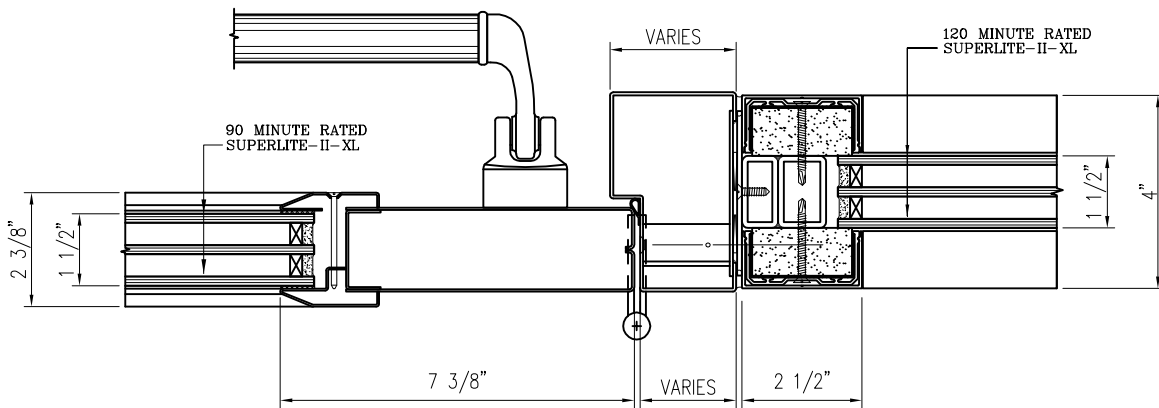
These details are subject to change without notice.

90 MINUTE TEMPERATURE RISE PAIR DOOR WITH 120 MINUTE FIRE RESISTIVE GPX WALL/WINDOW

For more details, please visit www.safti.com



123 DOOR MEETING STILES DETAIL
90 BUTR-DP-90R-IIXL



124 DOOR JAMB at SIDELITE DETAIL
90/120 BUTR-DP-90R-IIXL/GPX-W-120R-IIXL

SAFTIFIRST™
FIRE RATED GLAZING SOLUTIONS Since 1982
100 N. HILL DR. SUITE 12 TEL: (415) 824-4900
BRISBANE, CA 94005 FAX: (415) 824-5900

SuperLite™ II-XL
GPX BUILDERS SERIES
TEMPERATURE RISE

DATE:

DRAWN:

SCALE:

These details are subject to change without notice.