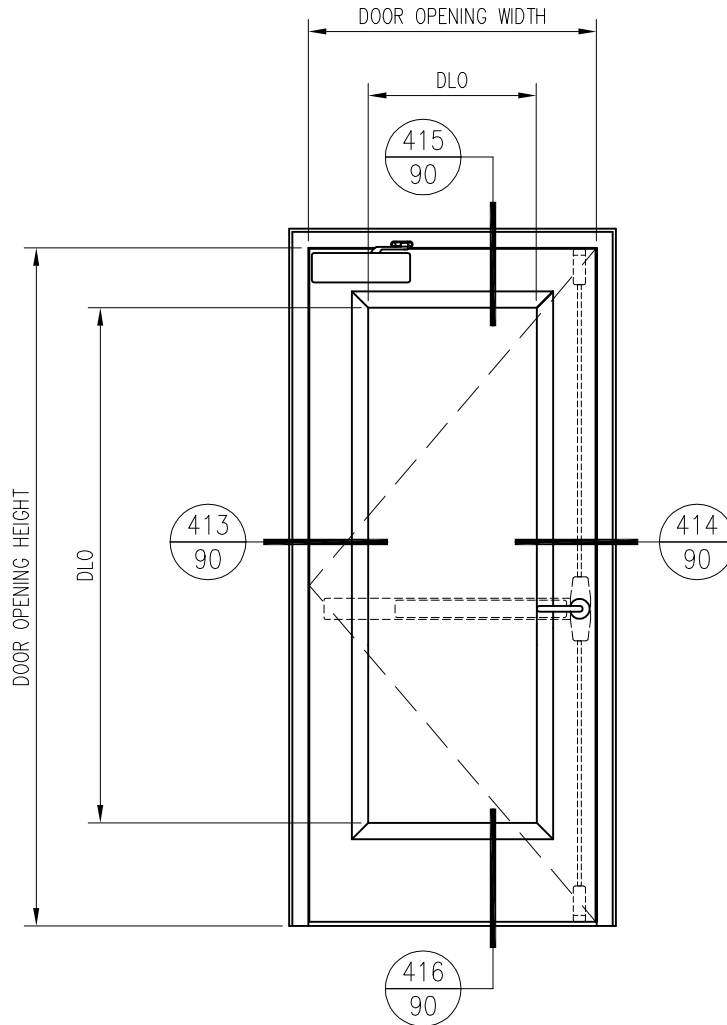


# 90 MINUTE TEMPERATURE RISE SINGLE DOOR

For more details, please visit [www.safti.com](http://www.safti.com)



BUTR-DS-90R-II-XL-IGU

- GPX BUILDERS SERIES TEMPERATURE RISE SINGLE DOOR WITH SUPERLITE II-XL 90 IGU -  
- EXTERIOR APPLICATION -

**SAFTIFIRST™**  
FIRE RATED GLAZING SOLUTIONS *Since 1982*  
100 N. HILL DR. SUITE 12 TEL: (415) 824-4900  
BRISBANE, CA 94005 FAX: (415) 824-5900

**SuperLite™ II-XL**  
**GPX BUILDERS SERIES**  
TEMPERATURE RISE

DATE:

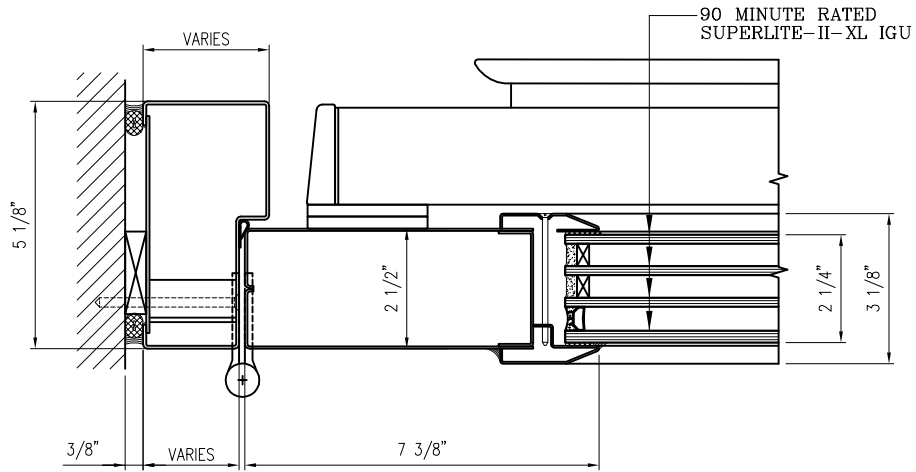
DRAWN:

SCALE:

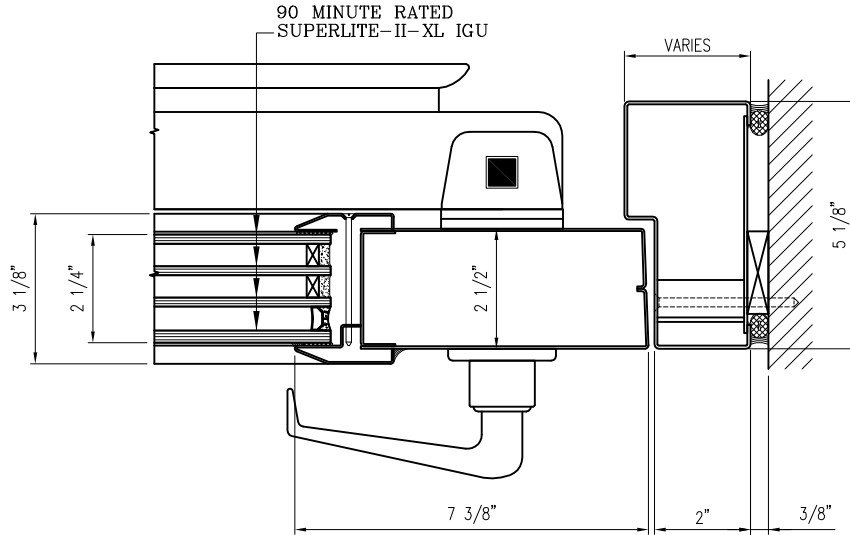
These details are subject to change without notice.

# 90 MINUTE TEMPERATURE RISE SINGLE DOOR

For more details, please visit [www.safti.com](http://www.safti.com)



413 DOOR JAMB at HINGE DETAIL  
90 BUTR-DS-90R-II-XL-IGU



414 DOOR JAMB at LOCK DETAIL  
90 BUTR-DS-90R-II-XL-IGU

**SAFTIFIRST™**  
FIRE RATED GLAZING SOLUTIONS *Since 1982*  
100 N. HILL DR. SUITE 12 TEL: (415) 824-4900  
BRISBANE, CA 94005 FAX: (415) 824-5900

**SuperLite™ II-XL**  
**GPX BUILDERS SERIES**  
TEMPERATURE RISE

DATE:

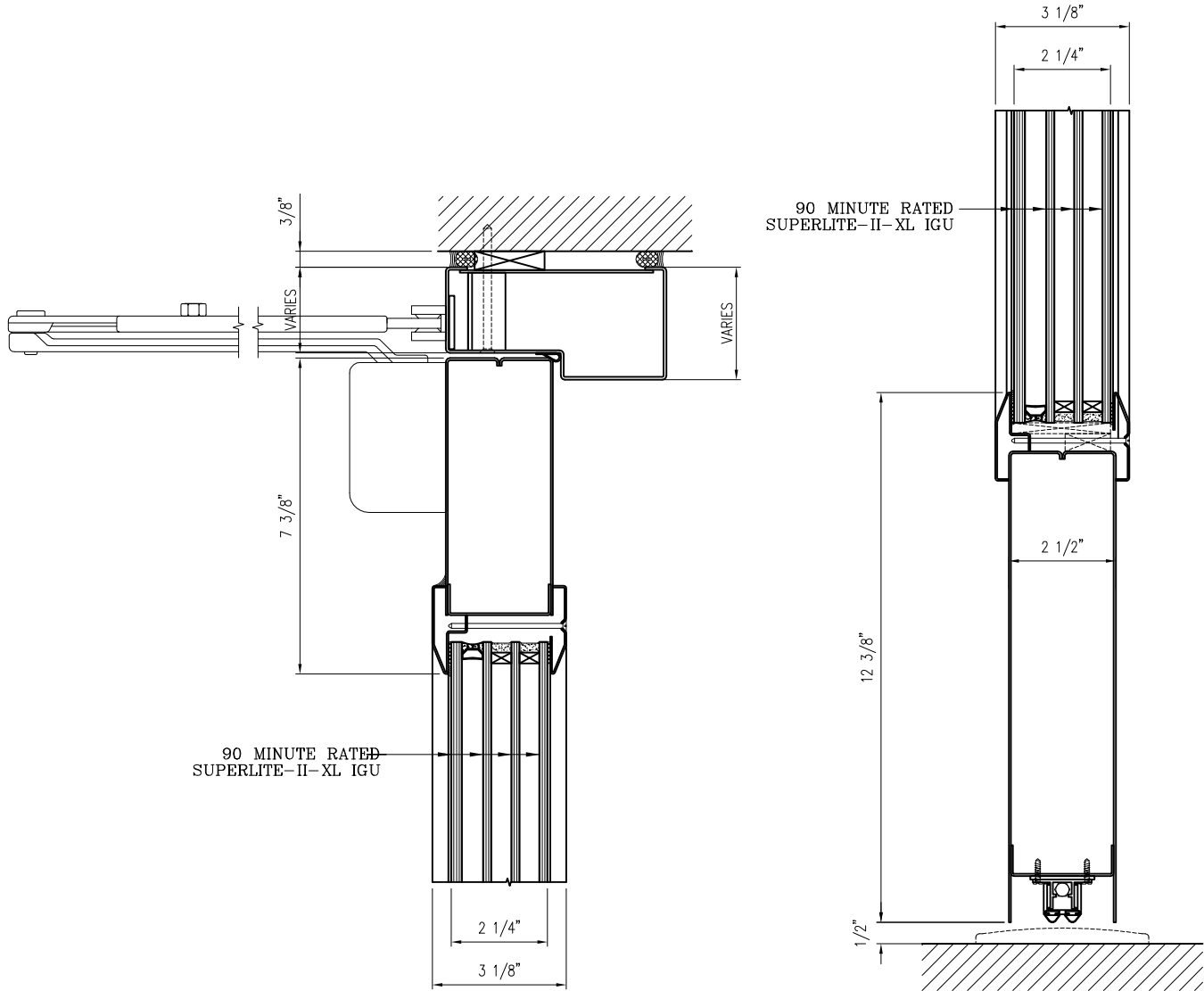
DRAWN:

SCALE:

These details are subject to change without notice.

# 90 MINUTE TEMPERATURE RISE SINGLE DOOR

For more details, please visit [www.safti.com](http://www.safti.com)



415 DOOR TOP RAIL DETAIL  
90 BUTR-DS-90R-IXL-IGU

416 DOOR BOTTOM RAIL DETAIL  
90 BUTR-DS-90R-IXL-IGU

**SAFTIFIRST™**  
FIRE RATED GLAZING SOLUTIONS *Since 1982*  
100 N. HILL DR. SUITE 12 TEL: (415) 824-4900  
BRISBANE, CA 94005 FAX: (415) 824-5900

**SuperLite™ II-XL**  
**GPX BUILDERS**  
**SERIES**  
TEMPERATURE RISE

DATE:

DRAWN:

SCALE:

These details are subject to change without notice.