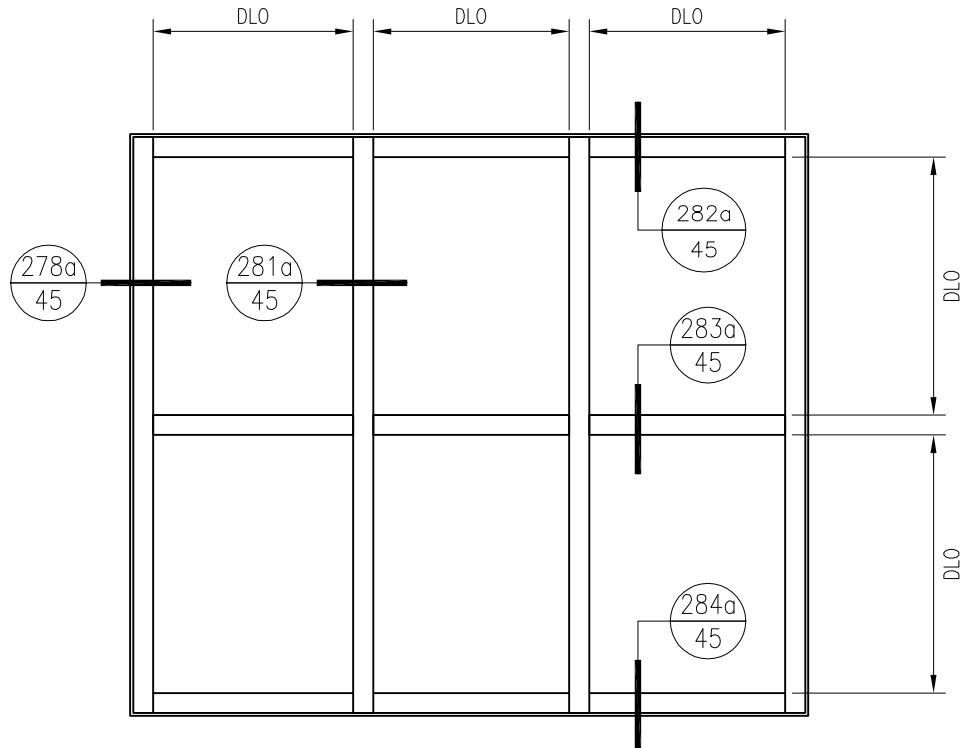


45 MINUTE FIRE RESISTIVE GPX OPENING

For more details, please visit www.safti.com



GPX-0-45R-II-XL-IGU

- 2 1/2" GPX ARCHITECTURAL SERIES OPENING WITH SUPERLITE II-XL 45 IGU -
- EXTERIOR APPLICATION -

SAFTIFIRST™
FIRE RATED GLAZING SOLUTIONS *Since 1982*
100 N. HILL DR. SUITE 12 TEL: (415) 824-4900
BRISBANE, CA 94005 FAX: (415) 824-5900

SuperLite™ II-XL
GPX ARCHITECTURAL
S E R I E S

DATE:

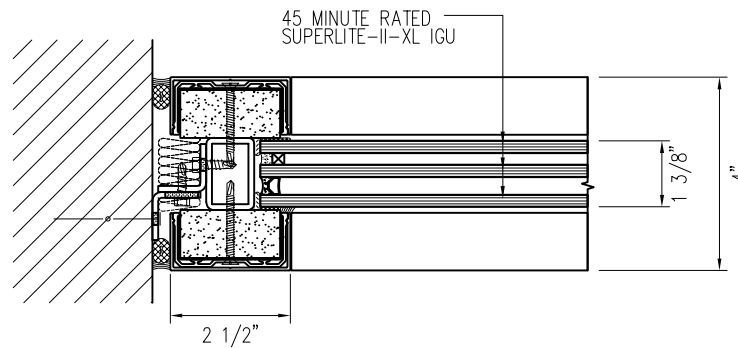
DRAWN:

SCALE:

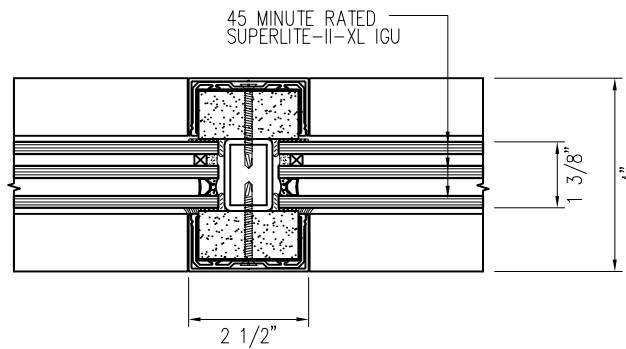
These details are subject to change without notice.

45 MINUTE FIRE RESISTIVE GPX OPENING

For more details, please visit www.safti.com



278a JAMB DETAIL
45 GPX-0-45R-II-XL-IGU



281a VERTICAL MULLION DETAIL
45 GPX-0-45R-II-XL-IGU

SAFTIFIRST™
FIRE RATED GLAZING SOLUTIONS Since 1982
100 N. HILL DR. SUITE 12 TEL: (415) 824-4900
BRISBANE, CA 94005 FAX: (415) 824-5900

SuperLite™ II-XL
GPX ARCHITECTURAL
S E R I E S

DATE:

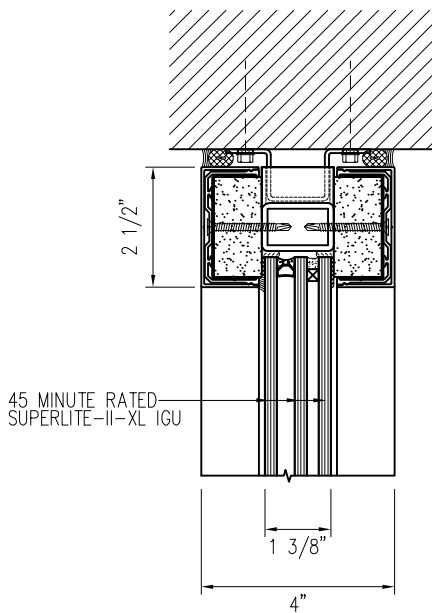
DRAWN:

SCALE:

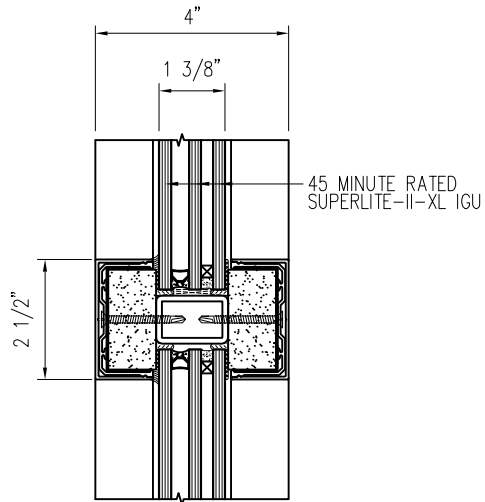
These details are subject to change without notice.

45 MINUTE FIRE RESISTIVE GPX OPENING

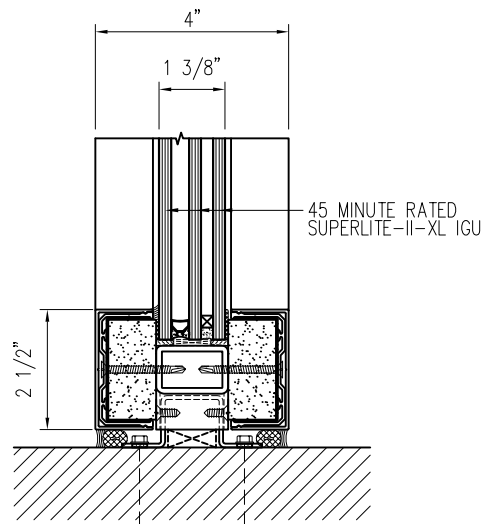
For more details, please visit www.safti.com



282a HEAD DETAIL
45 GPX-O-45R-IIXL-IGU



283a HORIZONTAL MULLION DETAIL
45 GPX-O-45R-IIXL-IGU



284a SILL DETAIL
45 GPX-O-45R-IIXL-IGU

SAFTIFIRST™
FIRE RATED GLAZING SOLUTIONS Since 1982
100 N. HILL DR. SUITE 12 TEL: (415) 824-4900
BRISBANE, CA 94005 FAX: (415) 824-5900

SuperLite™ II-XL
GPX ARCHITECTURAL
S E R I E S

DATE:

DRAWN:

SCALE:

These details are subject to change without notice.