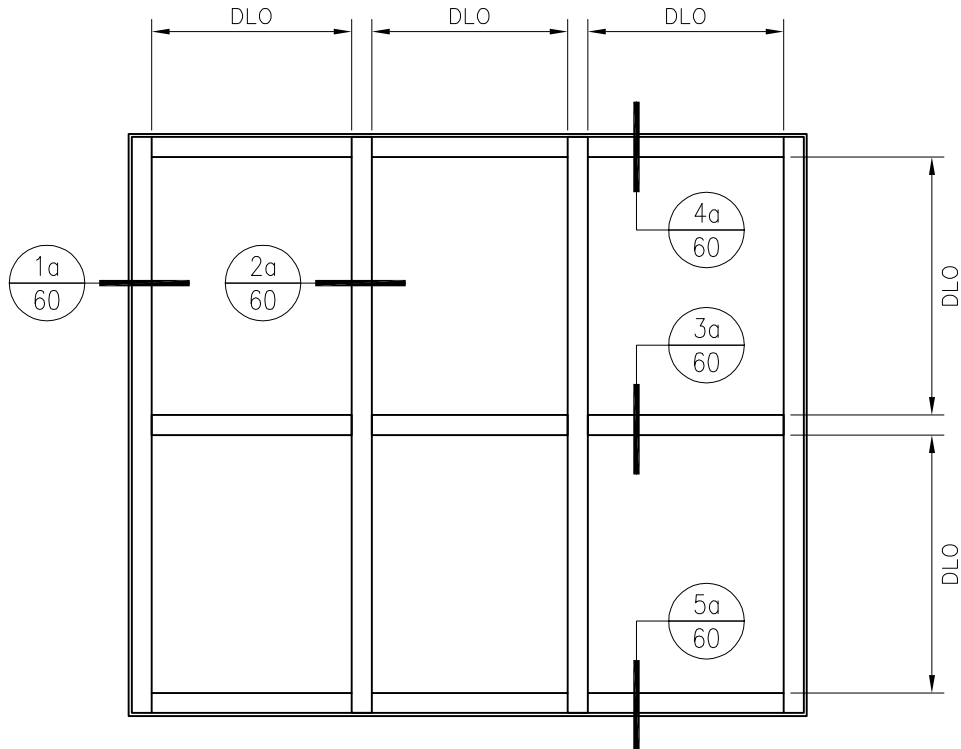


60 MINUTE FIRE RESISTIVE GPX WALL/WINDOW

For more details, please visit www.safti.com



GPX-W-60R-11XL

- 2 1/2" GPX ARCHITECTURAL SERIES WALL/WINDOW WITH SUPERLITE II-XL 60 -
- INTERIOR APPLICATION -

 **SAFTIFIRST™**
FIRE RATED GLAZING SOLUTIONS
100 N. HILL DR. SUITE 12 TEL: (415) 824-4900
BRISBANE, CA 94005 FAX: (415) 824-5900

SuperLite™ II-XL
GPX ARCHITECTURAL
SERIES

DATE:

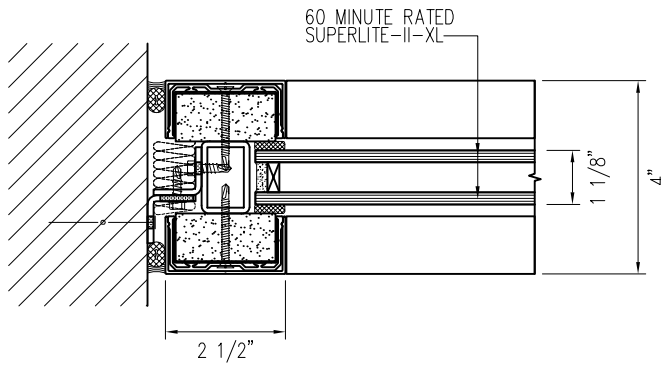
DRAWN:

SCALE:

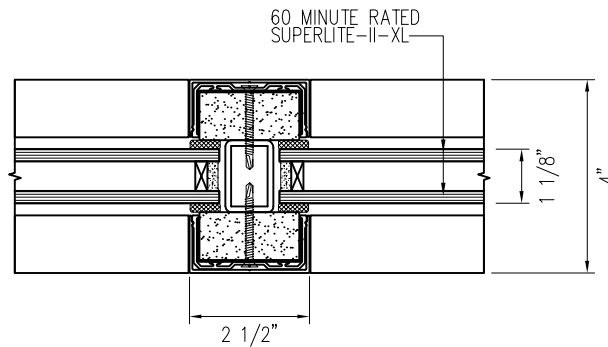
These details are subject to change without notice.

60 MINUTE FIRE RESISTIVE GPX WALL/WINDOW

For more details, please visit www.safti.com



1a JAMB DETAIL
60 GPX-W-60R-IIXL



2a VERTICAL MULLION DETAIL
60 GPX-W-60R-IIXL

 **SAFTIFIRST**™
FIRE RATED GLAZING SOLUTIONS
100 N. HILL DR. SUITE 12 TEL: (415) 824-4900
BRISBANE, CA 94005 FAX: (415) 824-5900

SuperLite™ II-XL
GPX ARCHITECTURAL
SERIES

DATE:

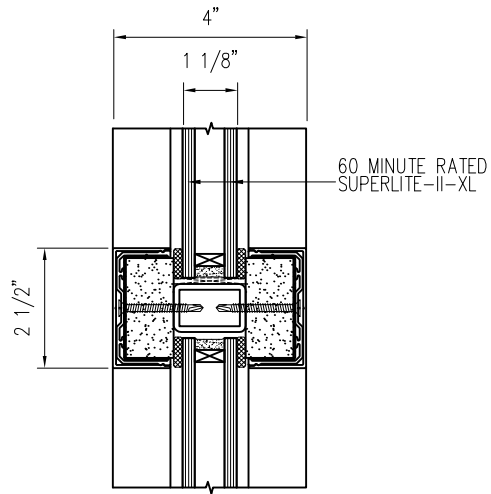
DRAWN:

SCALE: 3" = 1'-0"

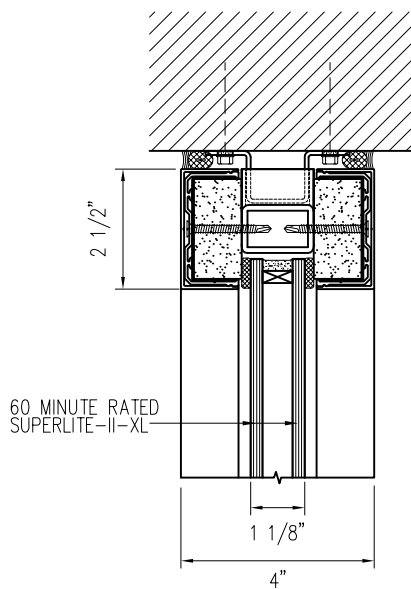
These details are subject to change without notice.

60 MINUTE FIRE RESISTIVE GPX WALL/WINDOW

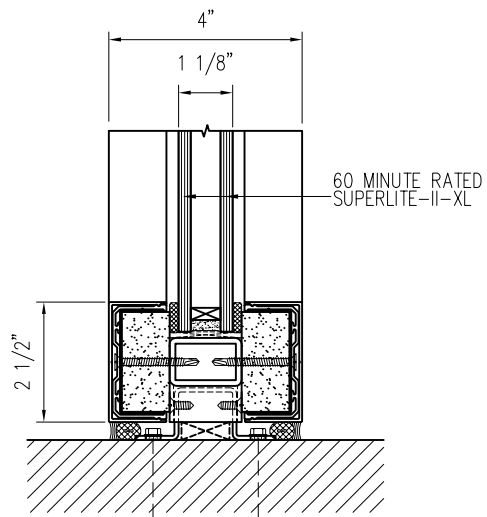
For more details, please visit www.safti.com



4a HORIZONTAL MULLION DETAIL
60 GPX-W-60R-IIXL



3a HEAD DETAIL
60 GPX-W-60R-IIXL



5a SILL DETAIL
60 GPX-W-60R-IIXL

SAFTIFIRST™
FIRE RATED GLAZING SOLUTIONS
100 N. HILL DR. SUITE 12 TEL: (415) 824-4900
BRISBANE, CA 94005 FAX: (415) 824-5900

SuperLite™ II-XL
GPX ARCHITECTURAL
SERIES

DATE:

DRAWN:

SCALE: 3" = 1'-0"

These details are subject to change without notice.