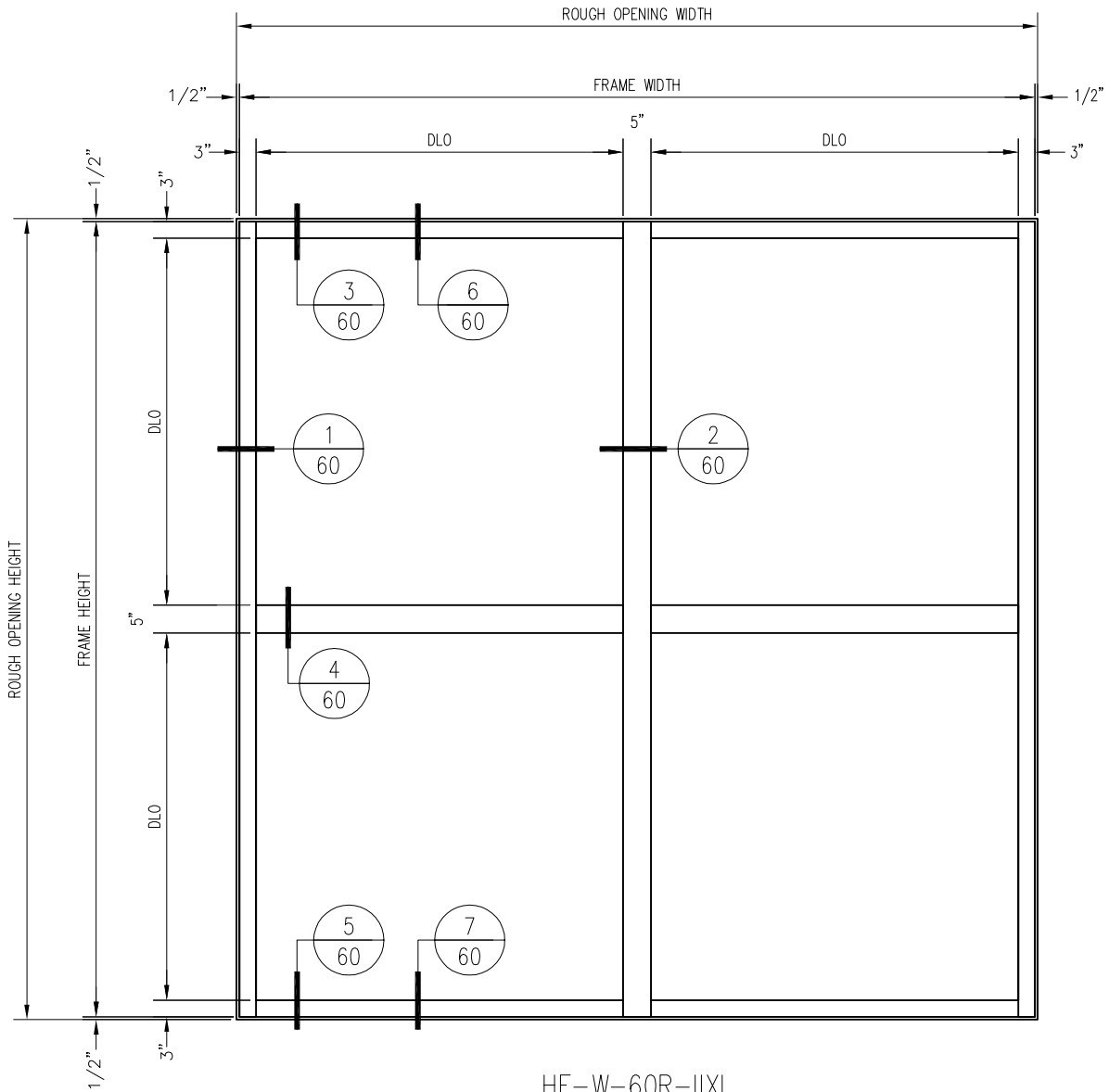


60 MINUTE FIRE RESISTIVE HURRICANE RATED WALL/WINDOW

— WITH FLORIDA PRODUCT APPROVAL —

For more details, please visit www.safti.com



HF-W-60R-IIXL

- GPX HURRICANE SYSTEM WALL/WINDOW WITH SUPERLITE II-XL 60 -
 - WITH FLORIDA PRODUCT APPROVAL -
 - EXTERIOR APPLICATION -

SAFTIFIRST™
 FIRE RATED GLAZING SOLUTIONS Since 1982
 100 N. HILL DR. SUITE 12 TEL: (415) 824-4900
 BRISBANE, CA 94005 FAX: (415) 824-5900

SuperLite™ II-XL
GPX HURRICANE SYSTEM
FLORIDA PRODUCT APPROVAL

Max. CV area per lite: 4952 sq in
 Max. CV width per lite: 124 in
 Max. CV height per lite: 124 in

OTHER SAFTIFIRST GLAZING PRODUCTS AVAILABLE.

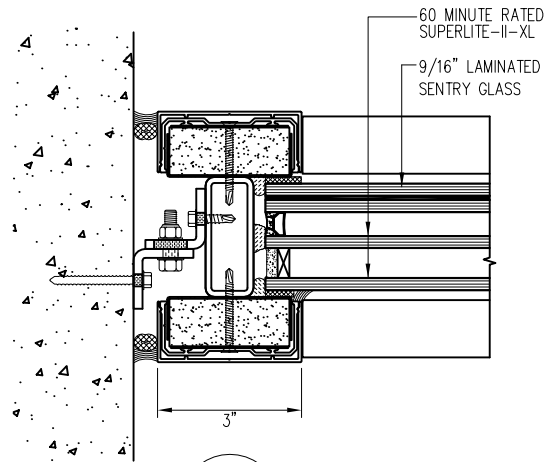
These details are subject to change without notice.

SCALE: 3/8"=1'-0"

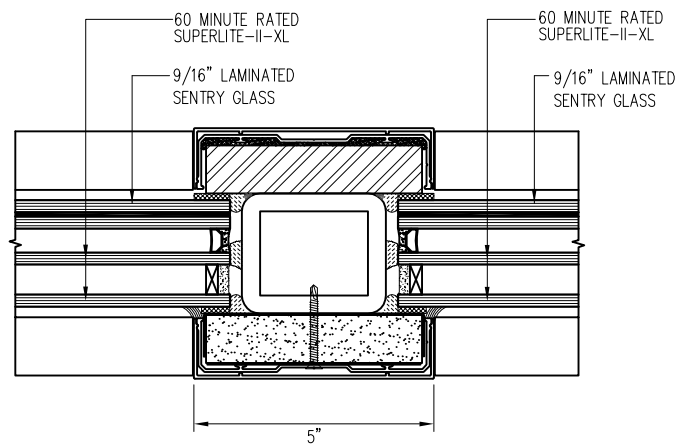
60 MINUTE FIRE RESISTIVE HURRICANE RATED WALL/WINDOW

— WITH FLORIDA PRODUCT APPROVAL —

For more details, please visit www.safti.com



1
60 JAMB DETAIL
HF-W-60R-IIXL



2
60 VERTICAL MULLION DETAIL
HF-W-60R-IIXL

SAFTIFIRST™
 FIRE RATED GLAZING SOLUTIONS Since 1982
 100 N. HILL DR. SUITE 12 TEL: (415) 824-4900
 BRISBANE, CA 94005 FAX: (415) 824-5900

SuperLite™ II-XL
GPX HURRICANE SYSTEM
 FLORIDA PRODUCT APPROVAL

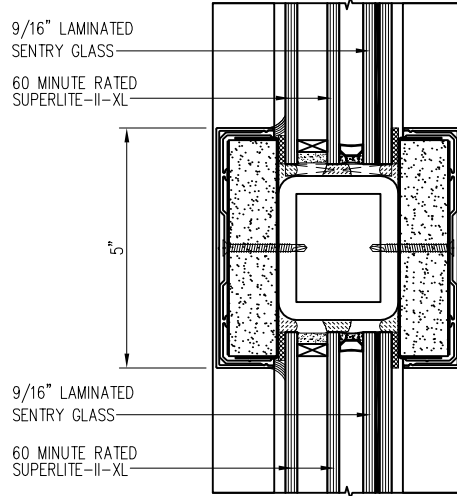
300HF-W-60R-IIXL	
DATE:	
DRAWN:	SCALE: 3":1'-0"

These details are subject to change without notice.

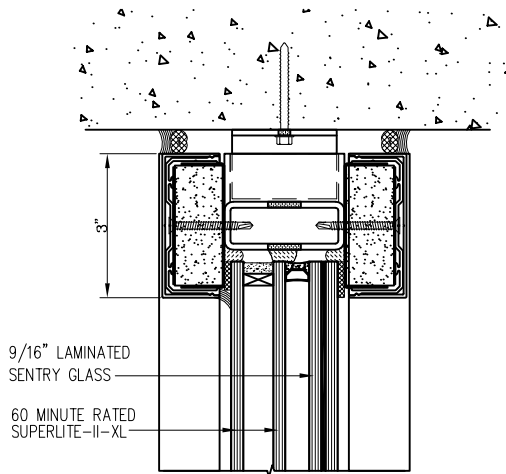
60 MINUTE FIRE RESISTIVE HURRICANE RATED WALL/WINDOW

— WITH FLORIDA PRODUCT APPROVAL —

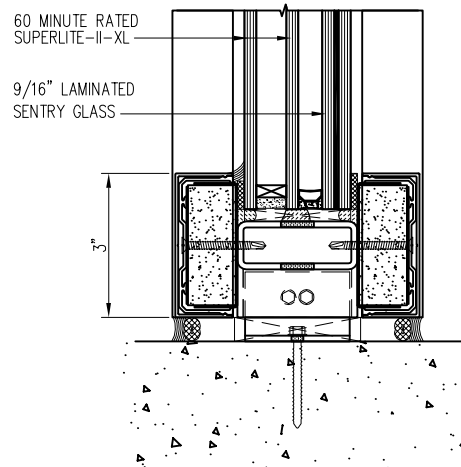
For more details, please visit www.safti.com



4 HORIZONTAL MULLION DETAIL
HF-W-60R-IIXL



3 HEAD DETAIL
HF-W-60R-IIXL



5 SILL DETAIL
HF-W-60R-IIXL

SAFTIFIRST™
FIRE RATED GLAZING SOLUTIONS Since 1982
100 N. HILL DR. SUITE 12 TEL: (415) 824-4900
BRISBANE, CA 94005 FAX: (415) 824-5900

SuperLite™ II-XL
GPX HURRICANE SYSTEM
FLORIDA PRODUCT APPROVAL

300HF-W-60R-IIXL

DATE:

DRAWN:

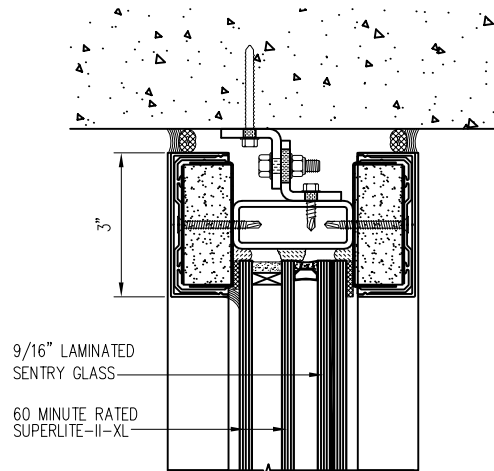
SCALE: 3":1'-0"

These details are subject to change without notice.

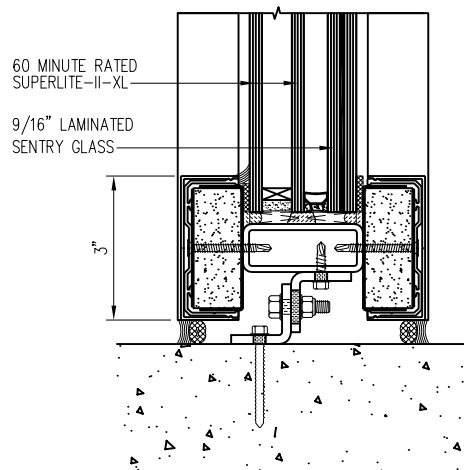
60 MINUTE FIRE RESISTIVE HURRICANE RATED WALL/WINDOW

— WITH FLORIDA PRODUCT APPROVAL —

For more details, please visit www.safti.com



6 HEAD DETAIL
60 HF-W-60R-IIXL



7 SILL DETAIL
60 HF-W-60R-IIXL

SAFTIFIRST™
FIRE RATED GLAZING SOLUTIONS Since 1982
100 N. HILL DR. SUITE 12 TEL: (415) 824-4900
BRISBANE, CA 94005 FAX: (415) 824-5900

SuperLite™ II-XL
GPX HURRICANE SYSTEM
FLORIDA PRODUCT APPROVAL

300HF-W-60R-IIXL

DATE:

DRAWN:

SCALE: 3":1'-0"

These details are subject to change without notice.