

**PRODUCT ADVANTAGES**



- ▶ **The first premium-grade fire rated glass ceramic made specifically for architectural applications.**
- ▶ Neutral coloration designed to more closely match float glass.
- ▶ Advanced manufacturing process eliminates the added cost of surface polishing.
- ▶ Environmentally-friendly glass ceramic manufactured free of toxins and hazardous heavy metals.
- ▶ Heavy duty surface applied safety film meets the highest human impact safety requirements.
- ▶ Readily available through our factory direct *Quick-Ship* program and our nationwide distributor network.
- ▶ Insulated, obscured and other custom make-ups available.
- ▶ 10 year manufacturer's warranty.

Fire Rating	Application	Max. CV Area	Max. CV Width	Max. CV Height	Stops
20-90 min.*	Sidelites Windows Transoms	4,933 sq. in. (3.18 m <sup>2</sup> )	98-1/4 in. (2.49 m)	98-1/4 in. (2.49 m)	5/8 in. (16 mm)
20-90 min.*	Doors (Non-Temp. Rise)	2,736 sq. in. (1.76 m <sup>2</sup> )	36 in. (0.91 m)	76 in. (1.93 m)	5/8 in. (16 mm)
up to 180 min.	Doors (Temp. Rise)	100 sq. in. (0.06 m <sup>2</sup> )	12 in. (0.30 m)	33 in. (0.84 m)	1/2 in. (13 mm)

\*Please see note under Typical Details for limitations.  
Maximum sheet size: Approximately 51 x 99 in. (1.29 x 2.51 m)

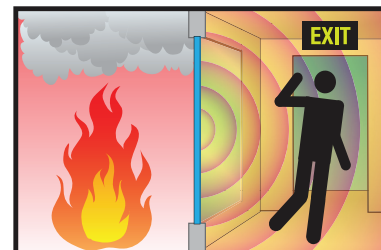
**UL AND INTERTEK TESTED AND CERTIFIED**



PYRAN® Platinum F by SAFTI FIRST is listed and labeled by Intertek and Underwriters Laboratories, nationally recognized testing laboratories approved by OSHA. All ceramic products do not meet ASTM E119 or NFPA 251 and should not be used in such applications.

**FIRE PROTECTIVE**

**Contains smoke and flames.  
Does not block radiant heat.**



**For fire resistive glazing that blocks radiant heat see SuperLite II-XL.**

**SPECIFICATIONS**

- Thickness:** 3/16 in. (5 mm)
- Weight:** 2.5 lbs./sq.ft. (12 kg/m<sup>2</sup>)
- Appearance:** Free of amber tint
- Fire Rating:**  
20-180 minutes with hose stream
- Impact Safety Rating:**  
CPSC 16 CFR 1201 Cat. I and II, ANSI Z97.1
- Visible Transmission:** 80%
- Sound Transmission Rating:**  
STC 31 dB
- 3-Part Specifications:**  
Available at  
[www.safti.com/specifications](http://www.safti.com/specifications)

**APPROVALS**

UL 9, UL 10B, UL 10C,  
NFPA 80, NFPA 252, NFPA 257,  
ASTM E2074, ASTM E2010-01,  
CPSC 16 CFR 1201 Cat. I and II,  
ANSI Z97.1, ULC CAN4-S104,  
ULC CAN4-S106.



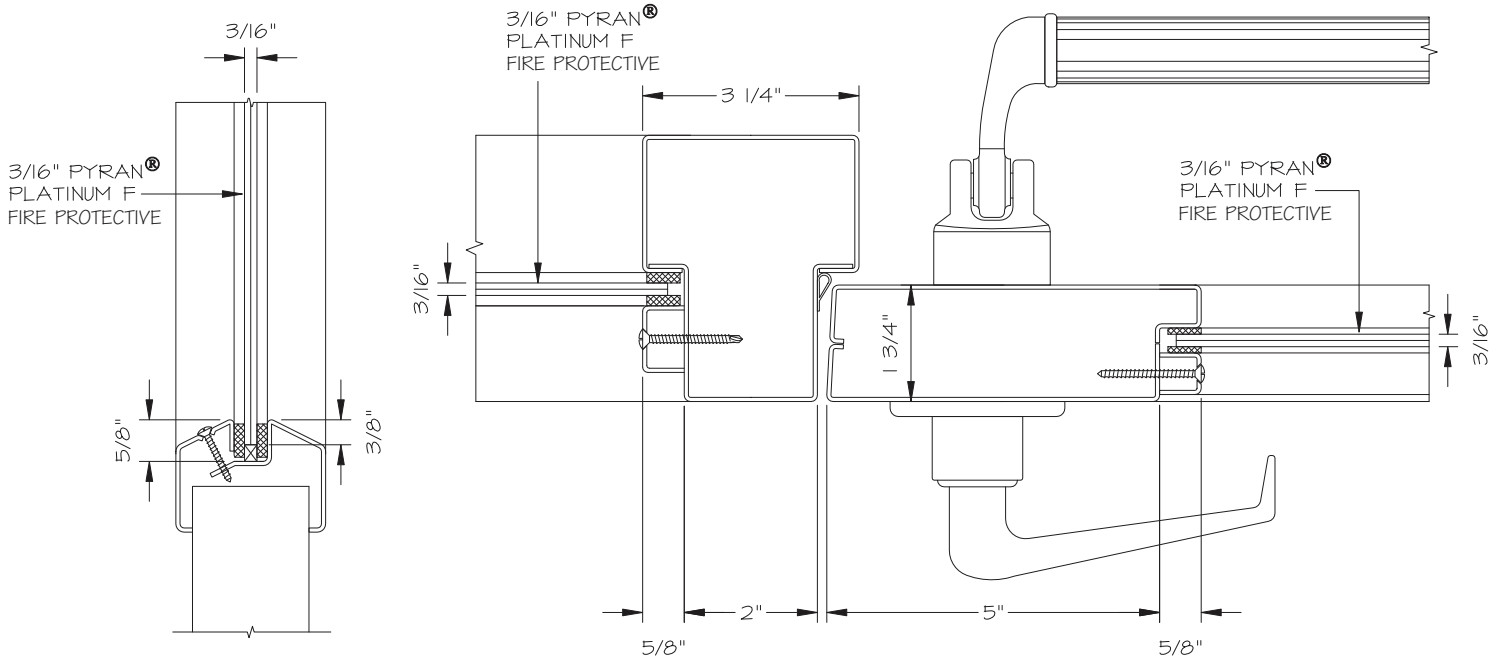


PYRAN® Platinum F by SAFTI FIRST is the first environmentally-friendly, fire and safety rated glass ceramic made specifically for architectural applications. This product is free of amber tints that are typical of other ceramics without the added cost of surface polishing.

**Project:** Middlebury College in Middlebury, VT  
**Contract Glazier:** Desabrais Glass  
**Products Used:** PYRAN® Platinum F in GPX Builders Series Fire Protective Door

**TYPICAL DETAILS** *More details available at [www.safti.com/details](http://www.safti.com/details)*

**PYRAN® Platinum F in vision kit and GPX Builders Series Fire Protective Door and Sidelite**



Scale 3" = 1"

\* Fire protective glazing is limited to 100 sq. in. in temperature rise doors and up to the maximum size tested in non-temperature rise doors. Fire protective glazing is limited to 25% of the wall area and cannot be used in applications that require ASTM E-119 or NFPA 251.