

SuperLite® II-XLB60

60 Minute Fire Resistive Glazing for Oversized and Butt-Glazed Applications

PRODUCT ADVANTAGES



- ▶ Largest tested and approved clear view area of 10,000 sq. in. of any fire resistive glazing product up to 1 hour.
- ▶ Tint-free, optically clear fire resistive glazing meeting ASTM E-119, ANSI/UL 263 and CAN/ULC S101 with hose stream.
- ▶ Butt-glazed option available.
- ▶ Can be easily combined with GPX® Architectural Series Framing for a complete and code compliant fire resistive assembly.
- ▶ Meets CPSC Cat. II impact safety, the federal maximum safety standard.
- ▶ High STC ratings.
- ▶ Standard 5 year limited warranty.
- ▶ USA manufactured for fast lead times and competitive pricing.
- ▶ UL listed and labeled.



Now available with Starphire Ultra-Clear® glass by Vitro and other decorative and custom glass make-ups.

Largest Sizes for 60 minutes:

Fire Rating	Max. CV Area	Max. CV Width	Max. CV Height	Stops
SuperLite® II-XLB 60	10,000 in. ² (6.45 m ²)	125 in. (3.18 m)	125 in. (3.18 m)	5/8 in. (16 mm)

1 in. stops recommended (25 mm). See [Quality and Construction Information for SAFTI FIRST® Fire Resistive Glass](#) on the website for more information.

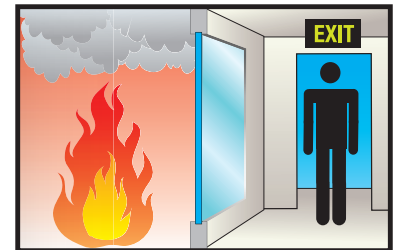


UL TESTED AND CERTIFIED

SuperLite® II-XLB 60 is listed and labeled by Underwriters Laboratories, a nationally recognized testing laboratory approved by OSHA.

FIRE RESISTIVE

Contains smoke, flames and blocks the passage of radiant heat.



SPECIFICATIONS

Thickness: 1-7/8 in (47.6 mm)

Weight: 17.65 lbs./sq.ft. (86.17 kg/m²)

Glass Make-up: Fire resistive tempered glazing with intumescent interlayers.

Fire Rating: 60 minutes with hose stream. Meets ASTM E119, ANSI/UL 263 & CAN/ULC S101

Visible Transmittance: 0.750 with clear standard; 0.861 with clear low-iron

Impact Safety Rating: CPSC 16 CFR 1201 Cat. I and II

3-Part Specifications:

Available at

www.safti.com/specifications

Made in the USA

APPROVALS

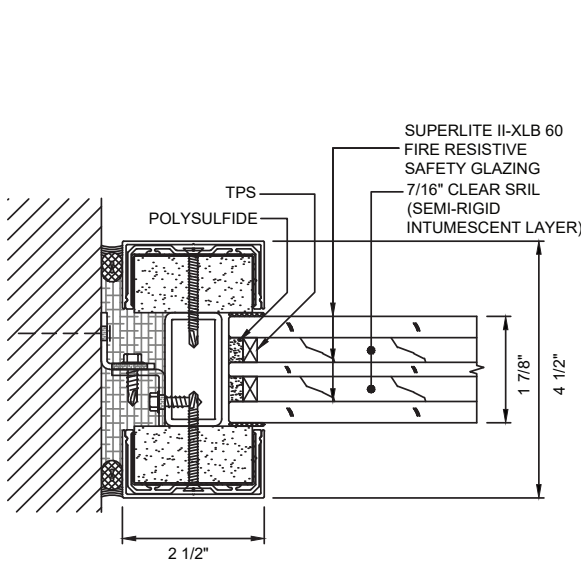
ASTM E119, ANSI/UL 263
CAN/ULC S101
CPSC 16 CFR 1201 Cat. II.,
ANSI Z97.1

SuperLite® II-XLB60

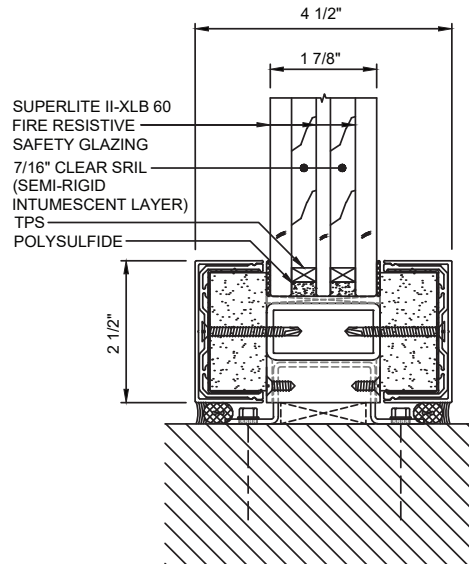
60 Minute Fire Resistant Glazing for Oversized and Butt-Glazed Applications

TYPICAL DETAILS More details available at www.safti.com/details

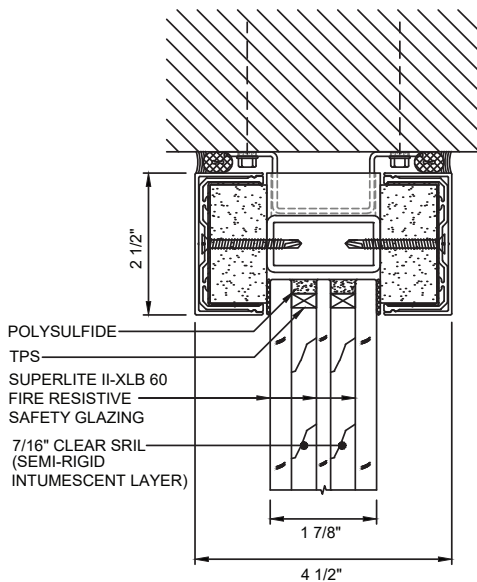
SuperLite® II-XLB 60 in GPX® Architectural Series Framing



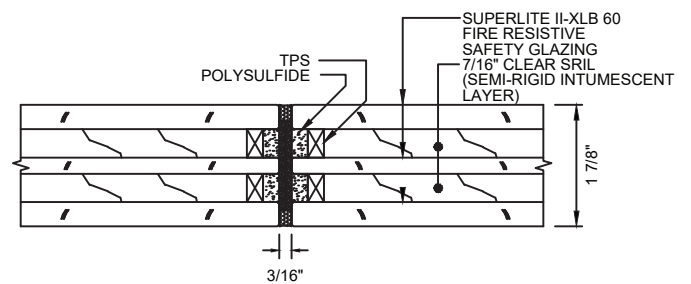
JAMB DETAIL



SILL DETAIL



HEAD DETAIL



BUTT-GLAZED DETAIL

Details not to scale.

Starphire Ultra-Clear® is a registered trademark owned by Vitro. The information provided herein is for general reference only. Please visit www.safti.com for the most updated information. © SAFTI FIRST® October 2021