

SuperLite II-XL 45

20-45 Minute
Fire Resistant Glazing

PRODUCT ADVANTAGES



- ▶ **Maximum fire and impact safety with hose stream and provides full radiant heat protection at better value than any clear 20-45 minute fire protective product.**
- ▶ Largest tested and approved sizes up to 4,952 in.² (3.19 m²) in standard 1 in. (25.4 mm) profile.
- ▶ Tint-free and optically clear. Perfect for property line requirements.
- ▶ Available in custom architectural make-ups, such as laminated glass and energy-saving insulated units.
- ▶ Can be customized to protect against forced entry, bullets, blast, hurricane, sound and more.
- ▶ 5 year manufacturer's warranty.
- ▶ USA manufactured for fast lead times and competitive pricing.



Now available with *Starphire Ultra-Clear*[®] glass by Vitro

Largest Sizes for Doors, Sidelites, Windows and Transoms

Fire Rating	Max. CV Area	Max. CV Width	Max. CV Height	Stops
All 20-45 minute applications	4,952 in. ² (3.19 m ²)	124 in. (3.15 m)	124 in. (3.15 m)	5/8 in. (16 mm)

1 in. stops recommended (25 mm)

UL AND INTERTEK TESTED AND CERTIFIED



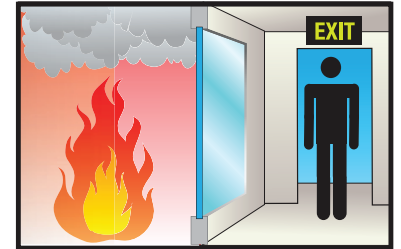
SuperLite II-XL is listed and labeled by Intertek and Underwriters Laboratories, nationally recognized testing laboratories approved by OSHA.

APPROVALS

UL 9, UL 10B, UL 10C, UL 263, NFPA 80, NFPA 251, NFPA 252, NFPA 257, ASTM E119, ASTM E152, ASTM E163, ASTM E2074, ASTM E2010-01, CPSC 16 CFR 1201 Cat. II, ANSI Z97.1, ULC CAN4-S101, ULC CAN4-S104, ULC CAN4-S106, NFRC 100, NFRC 200, NFRC 500, ASTM C1629/C1629M, ASTM E695, ASTM D4977.

FIRE RESISTIVE

Contains smoke, flames and blocks the passage of radiant heat.



SPECIFICATIONS

Thickness: 1 in. (25 mm);
1-3/4 in. (45 mm) when insulated with clear low-iron

Weight: 12 lbs./sq. ft. (59 kg/m²)
in 1 in. (25 mm) profile

Fire Rating: 20-45 minutes with hose stream
Meets ASTM E119 and UL 263

Visible Transmittance: 0.789 with clear standard; 0.883 with clear low-iron

Impact Safety Rating:
CPSC 16 CFR 1201 Cat. I and II & ANSI Z97.1

Hard Body Impact Classification:
ASTM C1629/C1629M Level 3

Soft Body Impact Classification:
ASTM E695 Level 3

Surface Abrasion Resistance:
ASTM D4977 Level 3



Made in the USA

SuperLite II-XL 45

20-45 Minute
Fire Resistant Glazing



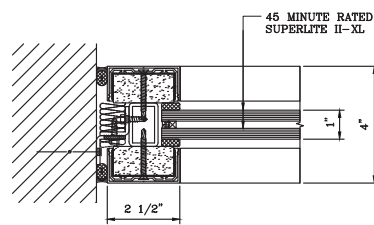
For this 1-hour corridor, the design team chose SuperLite II-XL 45 for its superior optical clarity, CPSC Cat. II impact safety ratings, high STC ratings and full radiant heat protection at a fraction of the cost of tinted filmed or laminated ceramic used in the same application.

Project: High Tech Middle School in Chula Vista, CA
Architect: Studio E Architects
Contract Glazier: Vision Systems, Inc.
Products Used: SuperLite II-XL 45 in GPX Builders Series Framing

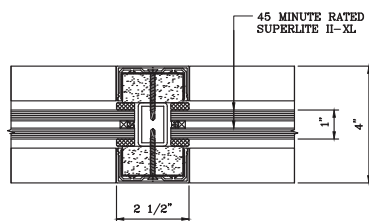
3-Part Specifications available at www.safti.com/specifications

TYPICAL DETAILS *More details available at www.safti.com/details*

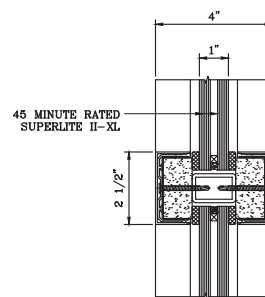
SuperLite II-XL 45 in GPX Architectural Series Fire Resistant Framing



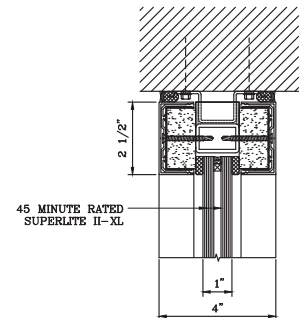
JAMB DETAIL



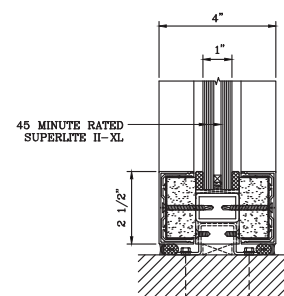
VERTICAL MULLION DETAIL



HORIZONTAL MULLION DETAIL



HEAD DETAIL



SILL DETAIL

Starphire Ultra-Clear is a registered trademark owned by Vitro. The information provided herein is for general reference only. Please visit www.safti.com for the most updated information. © SAFTI FIRST June 2021