

# SuperLite® II-XL60

60 Minute  
Fire Resistive Glazing

## PRODUCT ADVANTAGES



- ▶ **Maximum fire and impact safety with hose stream and full radiant heat protection.**
- ▶ Largest tested and approved sizes up to 4,952 in.<sup>2</sup> (3.19 m<sup>2</sup>) for door applications in standard 1-3/8 in. (35 mm) profile.
- ▶ Fully tested, approved and listed for temperature rise doors, openings and wall applications.
- ▶ Tint-free and optically clear. Perfect for property line requirements.
- ▶ Available in custom architectural make-ups, such as laminated glass and energy-saving insulated units.
- ▶ Can be customized to protect against forced entry, bullets, blast, hurricane and more.
- ▶ Standard 5 year limited warranty.
- ▶ USA manufactured for fast lead times and competitive pricing.

STARPHIRE  Now available with Starphire Ultra-Clear® glass by Vitro  
ULTRA-CLEAR® GLASS

### Large Sizes for Doors, Sidelites, Windows, Transoms and Walls

Fire Rating	Max. CV Area	Max. CV Width	Max. CV Height	Stops
All 60 minute applications	4,952 in. <sup>2</sup> (3.19 m <sup>2</sup> )	124 in. (3.15 m)	124 in. (3.15 m)	5/8 in. (16 mm)

1 in. stops recommended (25 mm). See [Quality and Construction information for SAFTI FIRST® Fire Resistive Glass](#) on the website for more information.

## UL AND INTERTEK TESTED AND CERTIFIED



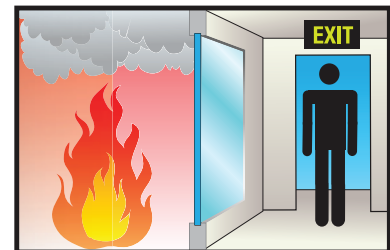
SuperLite® II-XL is listed and labeled by Intertek and Underwriters Laboratories, nationally recognized testing laboratories approved by OSHA.

## APPROVALS

UL 9, UL 10B, UL 10C, UL 263, NFPA 80, NFPA 251, NFPA 252, NFPA 257, ASTM E119, ASTM E152, ASTM E163, ASTM E2074, ASTM E2010-01, CPSC 16 CFR 1201 Cat. II, ANSI Z97.1, ULC CAN4-S101, ULC CAN4-S104, ULC CAN4-S106, NFRC 100, NFRC 200, NFRC 500, ASTM C1629/C1629M, ASTM E695, ASTM D4977.

## FIRE RESISTIVE

Contains smoke, flames and blocks the passage of radiant heat.



## SPECIFICATIONS

**Thickness:** 1-3/8 in. (35 mm);  
2-1/8 in. (54 mm) when insulated  
with clear Low-E

**Weight:** 14 lbs./sq.ft. (69 kg/m<sup>2</sup>)  
in 1-3/8 in. (35 mm) profile

**Sound Rating in GPX® Framing:**  
STC 43/OITC 39 standard profile;  
STC 43/OITC 37 insulated with 1/4" Low-E

**Fire Rating:** 60 minute with hose stream  
Meets ASTM E119 and UL 263

**Visible Transmittance:** 0.786 with clear  
standard; 0.877 with clear low-iron

**Impact Safety Rating:**  
CPSC 16 CFR 1201 Cat. I and II & ANSI Z97.1

**Hard Body Impact Classification:**  
ASTM C1629/C1629M Level 3

**Soft Body Impact Classification:**  
ASTM E695 Level 3

**Surface Abrasion Resistance:**  
ASTM D4977 Level 3

 Contract Holder  
Contract 47QSWA20B0022

 Made in the USA

# SuperLite® II-XL60

60 Minute  
Fire Resistive Glazing



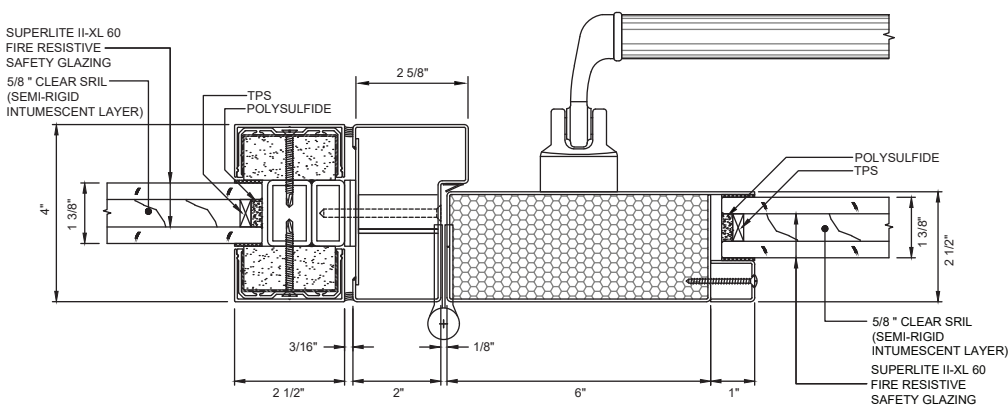
1-hour door assembly at the Sustainability and Research Building at UC Merced brings light and transparency, promoting wayfinding.

**Project:** UC Merced Sustainability and Research Building in Merced, CA  
**Architect:** SOM  
**Contract Glazier:** Webcor  
**Products Used:** SuperLite® II-XL 60 in GPX® Builders Series Temperature Rise Doors and SuperLite® II-XL 60 in GPX® Architectural Series Wall

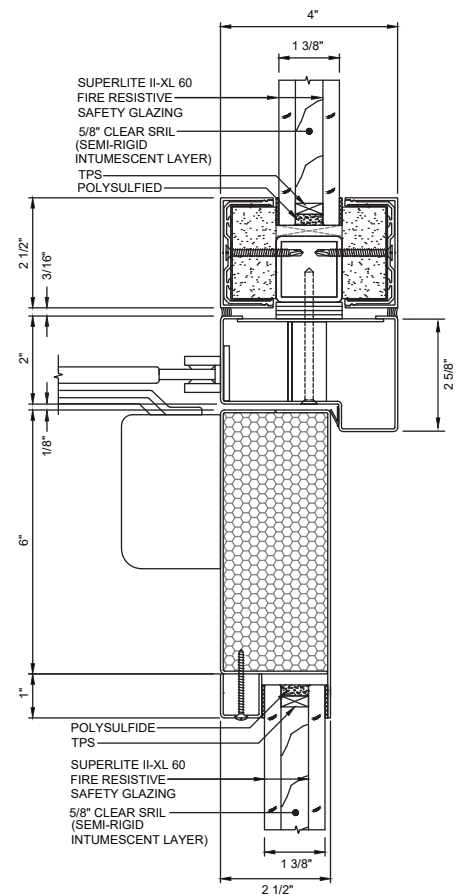
3-Part Specifications available at [www.safti.com/specifications](http://www.safti.com/specifications)

## TYPICAL DETAILS More details available at [www.safti.com/details](http://www.safti.com/details)

SuperLite® II-XL 60 in GPX® Architectural Series Sidelite/Transom and SuperLite® II-XL 60 in GPX® Builders Series Temperature Rise Door



DOOR JAMB AT HINGE DETAIL



DOOR TOP RAIL DETAIL

Details not to scale.

Starphire Ultra-Clear® is a registered trademark owned by Vitro. The information provided herein is for general reference only. Please visit [www.safti.com](http://www.safti.com) for the most updated information. © SAFTI FIRST® February 2022