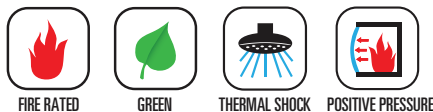


PRODUCT ADVANTAGES



- ▶ 20-45 minute fire protective openings and doors tested to NFPA 252/ NFPA 257/ UL 10C.
- ▶ Standard door profile includes 5 in. rail and 2 in. frame. Narrow door profile includes 3-3/4 in. rail and 1-1/8 in. frame. Both include 10 in. ADA compliant bottom rail (can be modified with AHJ approval).
- ▶ Can be used in interior and exterior applications.
- ▶ Available with high performance fluoropolymer finishes by PPG, or other custom finishes including stainless steel or aluminum clad.
- ▶ Listed and labeled by UL and/or Intertek.
- ▶ Made in the USA with fast lead times and competitive pricing.
- ▶ Standard 5 year limited warranty.

20-45 Minute Openings:

Glazing	Max. CV Area	Max. CV Width	Max. CV Height
SuperLite [®] I SuperLite [®] I-XL SuperLite [®] I-XL IGU	5,760 sq. in. (3.72 m ²)	96 in. (2.44 m)	96 in. (2.44 m)
SuperClear [®] 45-HS SuperClear [®] 45-HS-LI	3,880 sq. in. (2.50 m ²)	96 in. (2.44 m)	96 in. (2.44 m)
SuperLite [®] II-XL 45	4,952 sq.in. (3.19 m ²)	124 in. (3.15 m)	124 in. (3.15 m)

SuperLite[®] I-XL and SuperLite[®] I-XL IGU may require AHJ approval for applications over 20 minutes as it tested without hose stream.

20-45 Minute Doors:

Max. Door Opening (Single Door)	Max. Door Opening (Pair Door)
54 in. x 120 in. (1.37 m x 3.05 m)*	96 in. x 120 in. (2.44 m x 3.05 m)*

*For max door sizes, continuous hinges will be required.

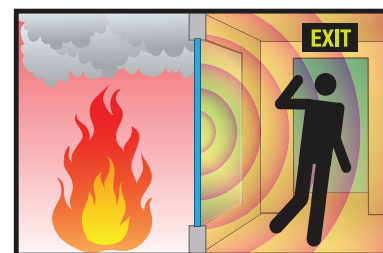
UL AND INTERTEK TESTED AND CERTIFIED



Listed and labeled by Intertek and Underwriters Laboratories, nationally recognized testing laboratories approved by OSHA.

FIRE PROTECTIVE OPENINGS & DOORS

Contains smoke and flames.
Does not block radiant heat.



For fire resistive glazing that blocks radiant heat see SuperLite[®] II-XL.

SPECIFICATIONS

Standard Profile: 5 in. rail and 2 in. frame

Narrow Profile: 3-3/4 in. rail and 1-1/8 in. frame

Bottom Rail: 10 in. (bottom rail can be modified with AHJ approval)

Door Depth: 4-5 in.

Finish Options: High performance fluoropolymer finishes by PPG, or other custom finishes including stainless steel or aluminum clad.

APPROVALS

UL 9, UL 10B, UL 10C, NFPA 80, NFPA 252, NFPA 257, ASTM E152, ASTM E163, ASTM E2074, ASTM E2010-01, ULC CAN4-S104, ULC CAN4-S106, CPSC16 CFR1201 Cat. II., ANSI Z97.1

3-Part Specifications:

Available at

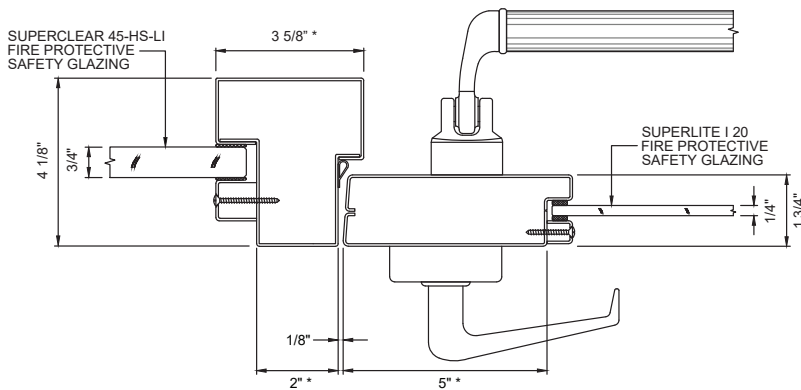
www.safti.com/specifications



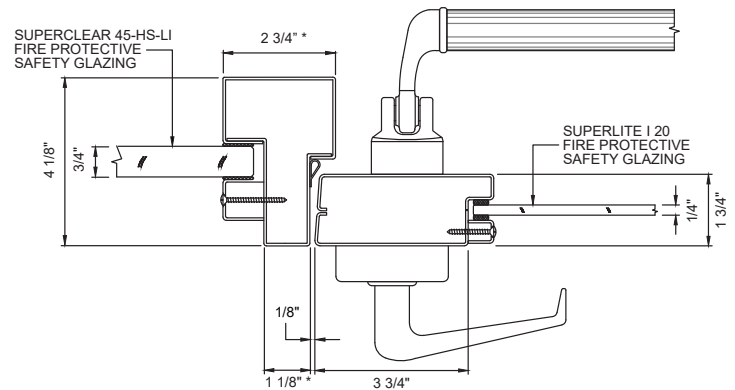
Made in the USA

TYPICAL DETAILS More details available at www.safti.com/details

SuperClear[®] 45-HS-LI in GPX[®] Builders Series Fire Protective Sidelite and SuperLite[®] I in GPX[®] Builders Series Fire Protective Door

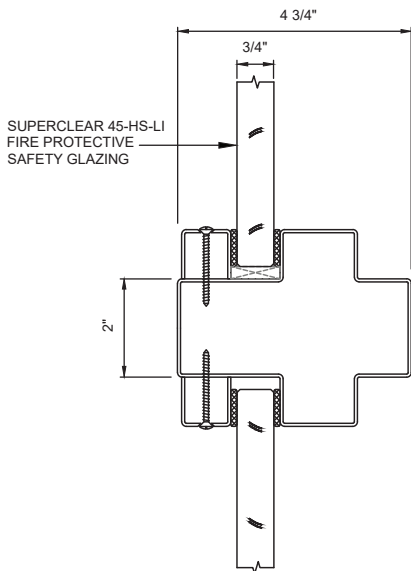


DOOR JAMB AT HINGE DETAIL - STANDARD

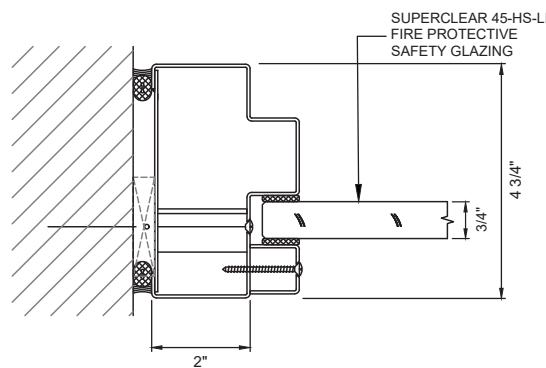


DOOR JAMB AT HINGE DETAIL - NARROW STYLE

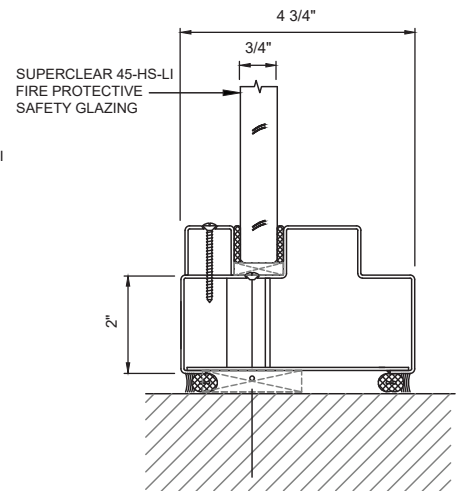
SuperClear[®] 45-HS-LI in GPX[®] Builders Series Fire Protective Openings



HORIZONTAL MULLION DETAIL



JAMB DETAIL



SILL DETAIL

* Varies by hardware
Details not to scale

The information provided herein is for general reference only and is subject to change without notice. Please visit www.safti.com for the most up to date information. © SAFTI FIRST[®] October 2021