

## PRODUCT ADVANTAGES



- ▶ Provides wall-to-wall and floor-to-ceiling transparency for up to 2 hours when combined with SuperLite<sup>®</sup> II-XL glazing.
- ▶ Durable and structurally sound fire resistive aluminum clad framing system.
- ▶ Provides the clean appearance of conventional aluminum framing with uniform sightlines.
- ▶ Available in standard and custom finishes including high performance fluoropolymer finishes by PPG, clear anodized, bronze anodized, black anodized, Decoral<sup>®</sup>, any species of wood veneer, ornamental metal and more.
- ▶ Can be used in both interior and exterior applications.
- ▶ Can be customized to protect against hurricane, bullet, blast, noise and UV rays.
- ▶ Standard 5 year limited warranty.
- ▶ USA manufactured for fast lead times and competitive pricing.

**FRAMING:**  
with SuperLite<sup>®</sup> II-XL  
glazing

Fire Rating	Max. CV Area	Max. CV Width	Max. CV Height
45-60 minutes	4,952 in. <sup>2</sup> (3.19 m <sup>2</sup> )	124 in. (3.15 m)	124 in. (3.15 m)
90-120 minutes	4,876 in. <sup>2</sup> (3.15 m <sup>2</sup> )	124 in. (3.15 m)	124 in. (3.15 m)

## UL AND INTERTEK TESTED AND CERTIFIED



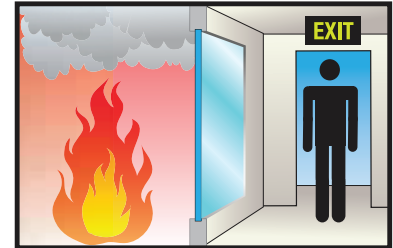
GPX<sup>®</sup> Curtain Wall Series is listed and labeled by Intertek and Underwriters Laboratories, nationally recognized testing laboratories approved by OSHA.

## APPROVALS

UL 9, UL 10B, UL 10C, UL 263, UL 752-2005, NFPA 80, NFPA 251, NFPA 252, NFPA 257, ASTM E119, ASTM E152, ASTM E163, ASTM E2074, ASTM E2010-01, CPSC 16 CFR 1201 Cat. II, ANSI Z97.1, ULC CAN4-S101, ULC CAN4-S104, ULC CAN4-S106, NFRC 100, NFRC 200, NFRC 500.

## FIRE RESISTIVE

Contains smoke and flames, and blocks the passage of radiant heat.



## SPECIFICATIONS

**Profile Width:** Standard 3 in. (76 mm).  
Optional 2 ½ in. (63.5 mm).

**Weight:** 12 lb./lineal foot standard

**Fire Rating:** Up to 120 minutes with hose stream  
Meets ASTM E119, NFPA 251, and UL 263

**Air Infiltration:** ASTM E 283-04 at 6.24 psf.  
**Result: No Leakage.**

**Static Pressure:** ASTM E 331-00 at 20.0 psf.  
**Result: No Leakage.**

**Dynamic Pressure Water Resistance:**  
AAMA 501-1.05 at 12.0 psf. **Result: No Leakage.**

**Thermal Cycling and Condensation Evaluation:**  
Exterior 170 degrees F; -10 degrees F/ Interior: 68 degrees F. **Result: No Damage.**

**Condensation Resistance Factor of Frame:** 68

**Condensation Resistance Factor of Glass:** 71

**Structural Performance:** ASTM E-330 between -75.0 psf to 60.0 psf. **Result: Passed with No Damage.**

**Interstory Vertical Displacement Test:** 1" Parallel, 1" Perpendicular. **Result: No Damage.**

**Seismic Movement Test:** ¾" cycled movement horizontally. **Result: No Damage.**

### 3-Part Specifications:

Available at

[www.safti.com/specifications](http://www.safti.com/specifications)



# GPX<sup>®</sup> CURTAIN WALL S E R I E S

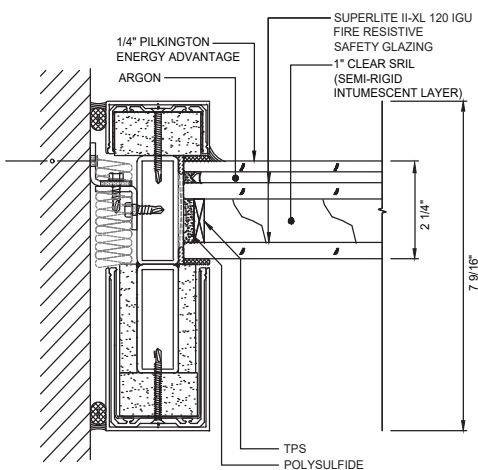
*Fire Resistive Curtain Wall  
up to 2 Hours*



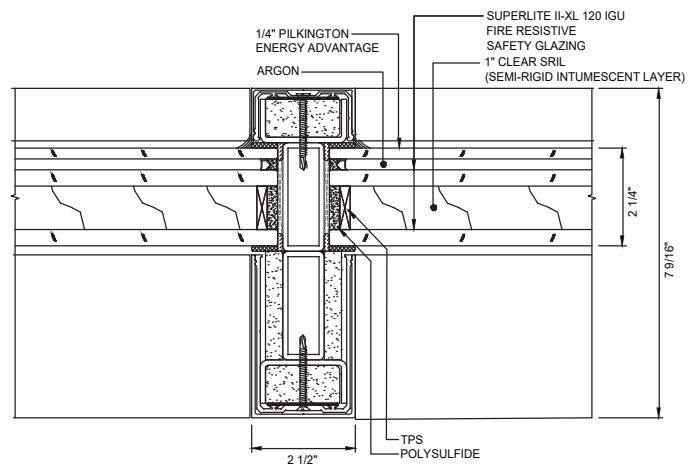
**Project:** Weill Cornell  
**Location:** New York, NY  
**Architect:** Ennead Architects  
**Contract Glazier:** W&W Glass, LLC  
**Products Used:** SuperLite<sup>®</sup> II-XL 120 IGU in GPX<sup>®</sup> Curtain Wall System

## TYPICAL DETAILS *More details available at [www.safti.com/details](http://www.safti.com/details)*

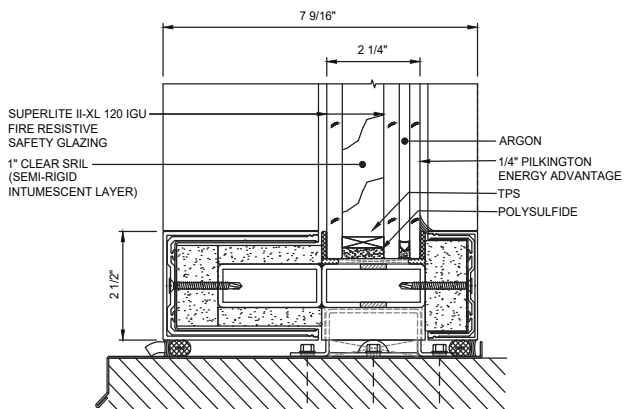
### SuperLite<sup>®</sup> II-XL 120 in GPX<sup>®</sup> Curtain Wall System



**JAMB DETAIL**



**VERTICAL MULLION DETAIL**



**SILL DETAIL**

Details not to scale

The information provided herein is for reference only and is subject to change without notice. Please visit [www.safti.com](http://www.safti.com) for the most up to date information.

© SAFTI FIRST<sup>®</sup> October 2021

[www.safti.com](http://www.safti.com)

**SAFTIFIRST<sup>®</sup>**  
SAFETY AND FIRE TECHNOLOGY INC.

**888.653.3333**