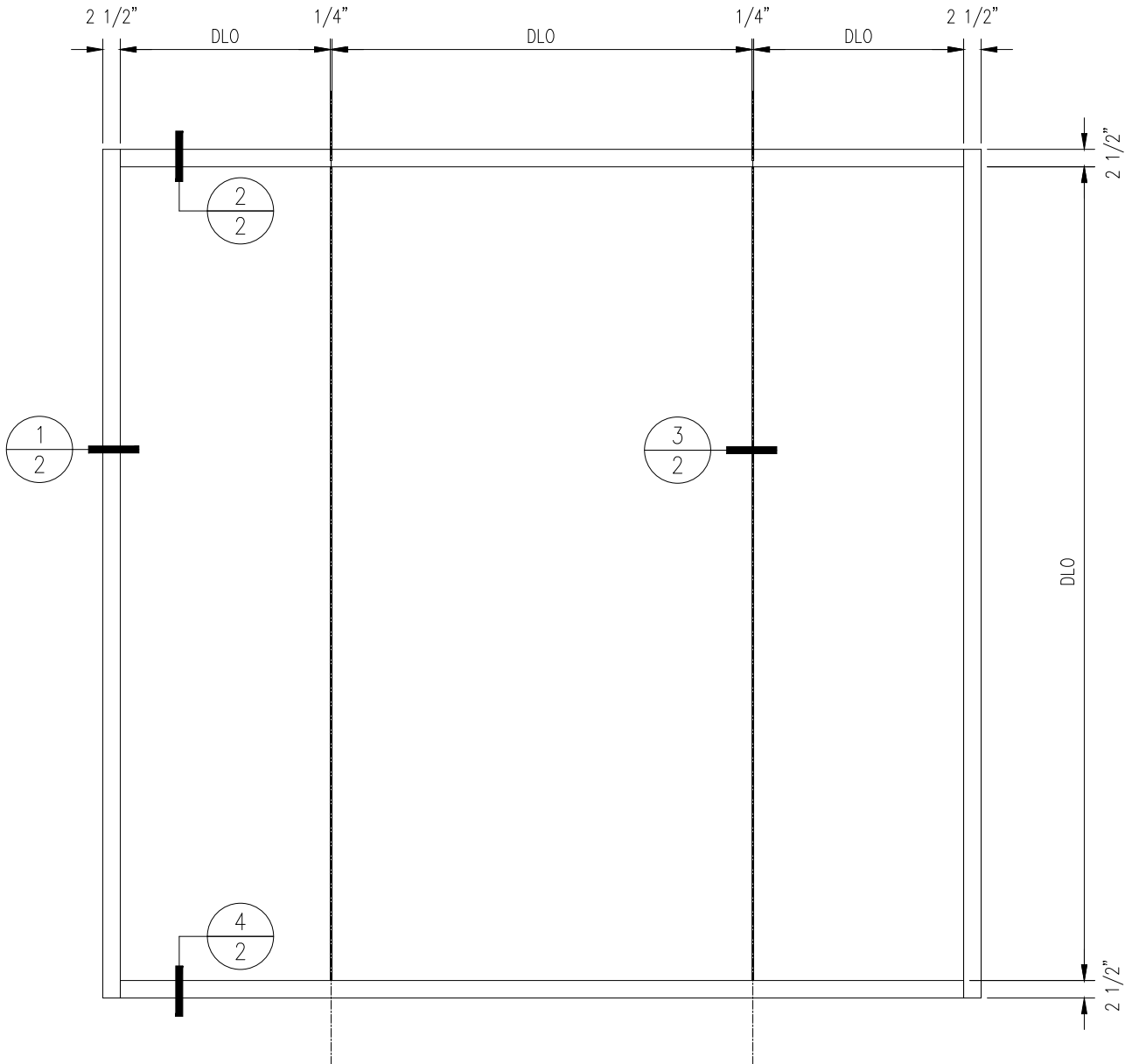


120 MINUTE FIRE RESISTIVE GPX WALL/WINDOW FOR OVERSIZED & BUTT-GLAZED APPLICATION

-INTERIOR APPLICATION-

For more details, please visit www.safti.com



SAFTIFIRST™
 FIRE RATED GLAZING SOLUTIONS *Since 1982*
 100 N. HILL DR. SUITE 12 TEL: (415) 824-4900
 BRISBANE, CA 94005 FAX: (415) 824-5900

SuperLite® II-XLB
GPX ARCHITECTURAL
SERIES

DATE:

DRAWN:

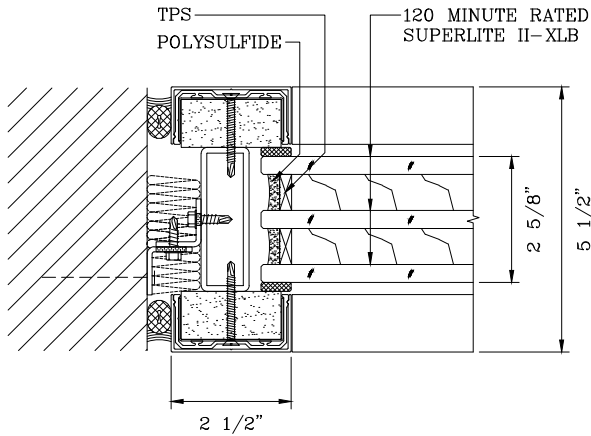
SCALE:

These details are subject to change without notice.

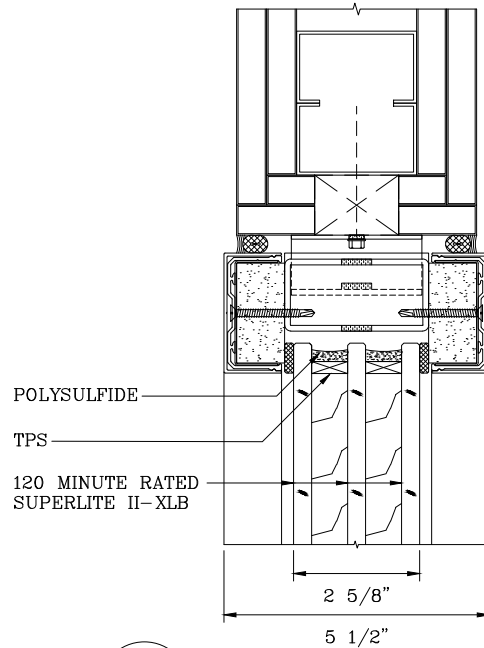
120 MINUTE FIRE RESISTIVE GPX WALL/WINDOW FOR OVERSIZED & BUTT-GLAZED APPLICATION

- INTERIOR APPLICATION -

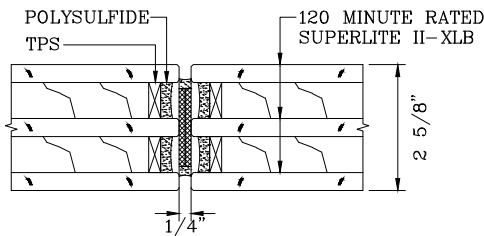
For more details, please visit www.safti.com



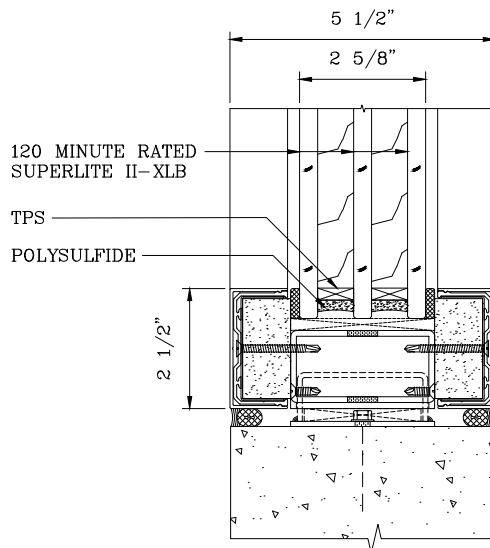
1 JAMB DETAIL
2 WITH **SUPERLITE II-XLB 120**



2 HEAD DETAIL
2 WITH **SUPERLITE II-XLB 120**



3 BUTT-GLAZED DETAIL
2 WITH **SUPERLITE II-XLB 120**



4 SILL DETAIL
2 WITH **SUPERLITE II-XLB 120**

SAFTIFIRST™
FIRE RATED GLAZING SOLUTIONS Since 1982
100 N. HILL DR. SUITE 12 TEL: (415) 824-4900
BRISBANE, CA 94005 FAX: (415) 824-5900

SuperLite II-XLB
GPX ARCHITECTURAL
SERIES

DATE:

DRAWN:

SCALE:

These details are subject to change without notice.