

# SuperLite® II-XLB 120

120 Minute Fire Resistive Glazing for  
Oversized and Butt-Glazed Applications

## PRODUCT ADVANTAGES



- ▶ Largest tested and approved clear view area of 7,980 sq. in. of any fire resistive glazing product up to 2 hours.
- ▶ Tint-free, optically clear fire resistive glazing meeting ASTM E-119, ANSI/UL 263 and CAN/ULC S101 with hose stream.
- ▶ Butt-glazed option available.
- ▶ Can be easily combined with GPX® Architectural Series Framing for a complete and code compliant fire resistive assembly.
- ▶ Meets CPSC Cat. II impact safety, the federal maximum safety standard.
- ▶ Available in custom architectural, decorative and energy-saving make-ups.
- ▶ High STC ratings.
- ▶ Standard 5 year limited warranty.
- ▶ USA manufactured for fast lead times and competitive pricing.
- ▶ Intertek listed and labeled.



Now available with *Starphire Ultra-Clear*® glass by Vitro and other decorative and custom glass make-ups.

### Largest Sizes for 120 minutes:

Fire Rating	Max. CV Area	Max. CV Width	Max. CV Height	Stops
SuperLite® II-XLB 120	7,980 in. <sup>2</sup> (5.15 m <sup>2</sup> )	133 in. (3.38 m)	133 in. (3.38 m)	5/8 in. (16 mm)

1 in. stops recommended (25 mm). See *Quality Guidelines for SAFTI FIRST® Fire Resistive Glass* on the website for more information.

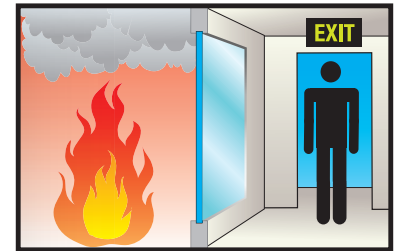


## INTERTEK TESTED AND CERTIFIED

SuperLite® II-XLB 120 is listed and labeled by Intertek, a nationally recognized testing laboratory approved by OSHA.

## FIRE RESISTIVE

Contains smoke, flames and blocks the passage of radiant heat.



## SPECIFICATIONS

**Thickness:** 2-1/2 in (63.5 mm)

**Weight:** 22 lbs./sq.ft. (107.41 kg/m<sup>2</sup>)

**Glass Make-up:** Fire resistive tempered glazing with intumescent interlayers.

**Fire Rating:** 120 minutes with hose stream. Meets ASTM E119, ANSI/UL 263 & CAN/ULC S101

**Visible Transmittance:** 0.744 with clear standard

**Impact Safety Rating:**  
CPSC 16 CFR 1201 Cat. I and II

**3-Part Specifications:**  
Available at  
[www.safti.com/specifications](http://www.safti.com/specifications)



## APPROVALS

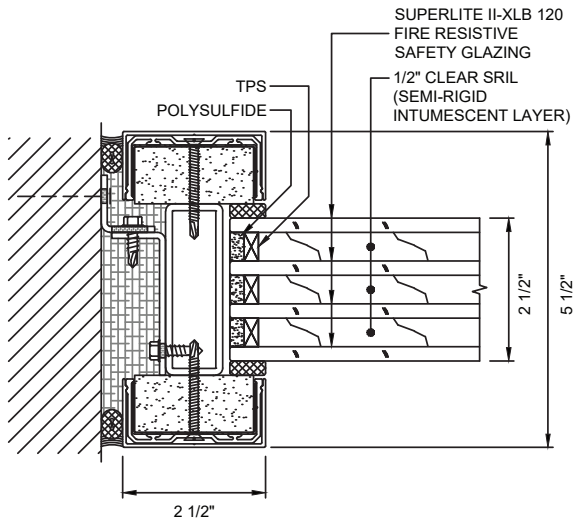
ASTM E119, ANSI/UL 263  
CAN/ULC S101  
CPSC 16 CFR 1201 Cat. II.,  
ANSI Z97.1

# SuperLite® II-XLB 120

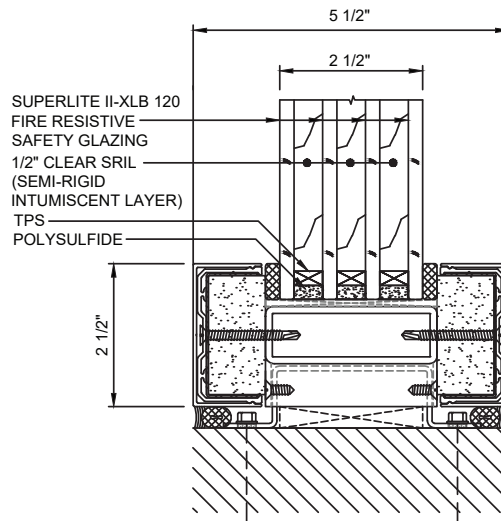
120 Minute Fire Resistive Glazing for Oversized and Butt-Glazed Applications

## TYPICAL DETAILS More details available at [www.safti.com/details](http://www.safti.com/details)

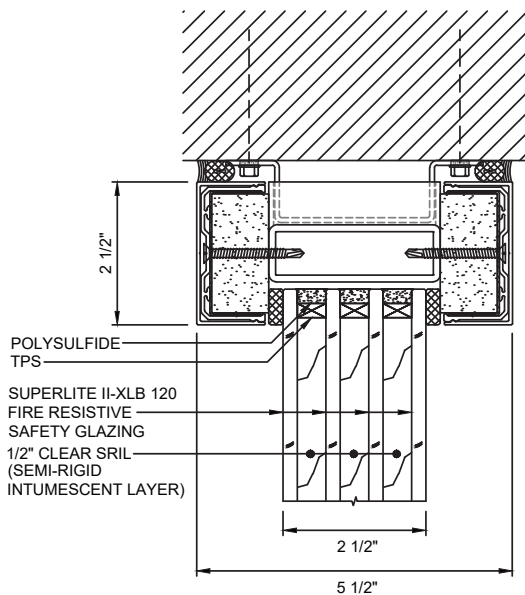
### SuperLite® II-XLB 120 in GPX® Architectural Series Framing



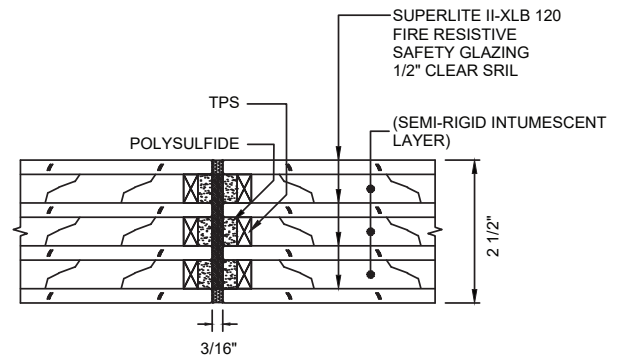
**JAMB DETAIL**



**SILL DETAIL**



**HEAD DETAIL**



**BUTT-GLAZED DETAIL**

Details not to scale.

Starphire Ultra-Clear® is a registered trademark owned by Vitro. The information provided herein is for general reference only. Please visit [www.safti.com](http://www.safti.com) for the most updated information. © SAFTI FIRST® October 2021