

SuperLite® II-XLB 120

120 Minute Fire Resistive Glazing for
Oversized and Butt-Glazed Applications

PRODUCT ADVANTAGES



- ▶ Largest tested and approved clear view area of 7,980 sq. in. of any fire resistive glazing product up to 2 hours.
- ▶ Tint-free, optically clear fire resistive glazing meeting ASTM E-119, ANSI/UL 263 and CAN/ULC S101 with hose stream.
- ▶ Butt-glazed option available.
- ▶ Can be easily combined with GPX® Architectural Series Framing for a complete and code compliant fire resistive assembly.
- ▶ Meets CPSC Cat. II impact safety, the federal maximum safety standard.
- ▶ Available in custom architectural, decorative and energy-saving make-ups.
- ▶ High STC ratings.
- ▶ Standard 5 year limited warranty.
- ▶ USA manufactured for fast lead times and competitive pricing.
- ▶ Intertek listed and labeled.



Now available with *Starphire Ultra-Clear*® glass by Vitro and other decorative and custom glass make-ups.

Largest Sizes for 120 minutes:

Fire Rating	Max. CV Area	Max. CV Width	Max. CV Height	Stops
SuperLite® II-XLB 120	7,980 in. ² (5.15 m ²)	133 in. (3.38 m)	133 in. (3.38 m)	5/8 in. (16 mm)

1 in. stops recommended (25 mm). See *Quality Guidelines for SAFTI FIRST® Fire Resistive Glass* on the website for more information.

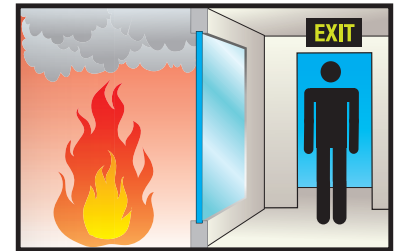


INTERTEK TESTED AND CERTIFIED

SuperLite® II-XLB 120 is listed and labeled by Intertek, a nationally recognized testing laboratory approved by OSHA.

FIRE RESISTIVE

Contains smoke, flames and blocks the passage of radiant heat.



SPECIFICATIONS

Thickness: 2-1/2 in (63.5 mm)

Weight: 22 lbs./sq.ft. (107.41 kg/m²)

Glass Make-up: Fire resistive tempered glazing with intumescent interlayers.

Fire Rating: 120 minutes with hose stream. Meets ASTM E119, ANSI/UL 263 & CAN/ULC S101

Visible Transmittance: 0.744 with clear standard

Impact Safety Rating: CPSC 16 CFR 1201 Cat. I and II

3-Part Specifications: Available at www.safti.com/specifications



Made in the USA

APPROVALS

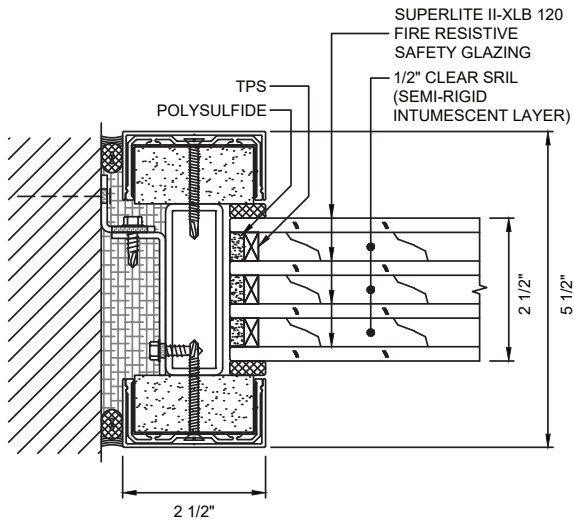
ASTM E119, ANSI/UL 263
CAN/ULC S101
CPSC 16 CFR 1201 Cat. II.,
ANSI Z97.1

SuperLite® II-XLB 120

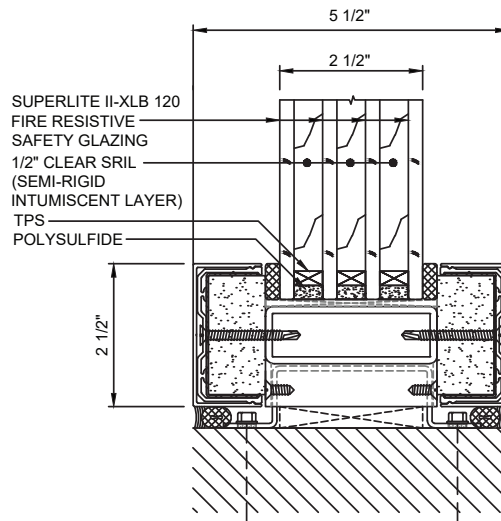
120 Minute Fire Resistive Glazing for Oversized and Butt-Glazed Applications

TYPICAL DETAILS More details available at www.safti.com/details

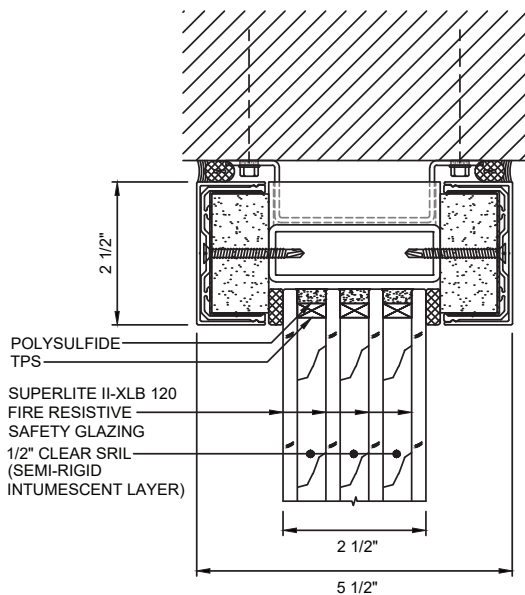
SuperLite® II-XLB 120 in GPX® Architectural Series Framing



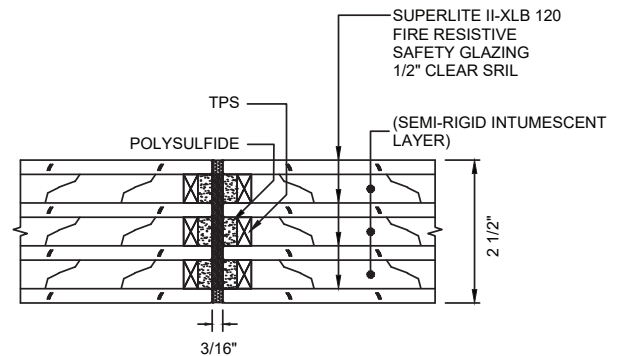
JAMB DETAIL



SILL DETAIL



HEAD DETAIL



BUTT-GLAZED DETAIL

Details not to scale.

Starphire Ultra-Clear® is a registered trademark owned by Vitro. The information provided herein is for general reference only. Please visit www.safti.com for the most updated information. © SAFTI FIRST® October 2021