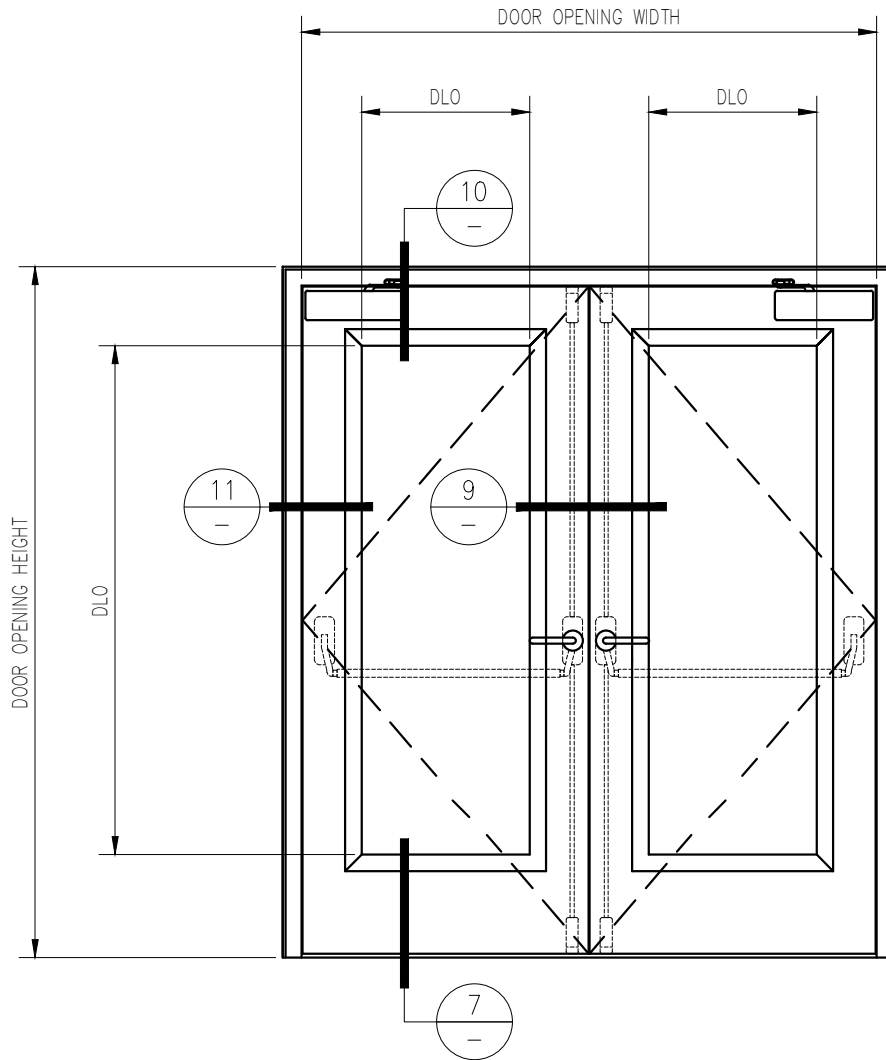


90 MINUTE TEMPERATURE RISE DOOR PAIR

—INTERIOR APPLICATION—

For more details, please visit www.safti.com



SAFTIFIRST™
FIRE RATED GLAZING SOLUTIONS *Since 1982*
100 N. HILL DR. SUITE 12 TEL: (415) 824-4900
BRISBANE, CA 94005 FAX: (415) 824-5900

SuperLite™ II-XL
GPX BUILDERS SERIES
TEMPERATURE RISE

DATE:

DRAWN:

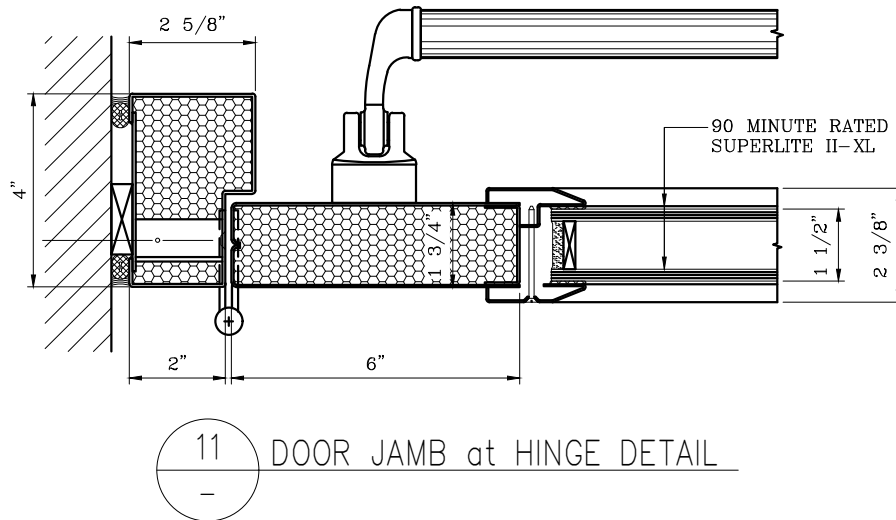
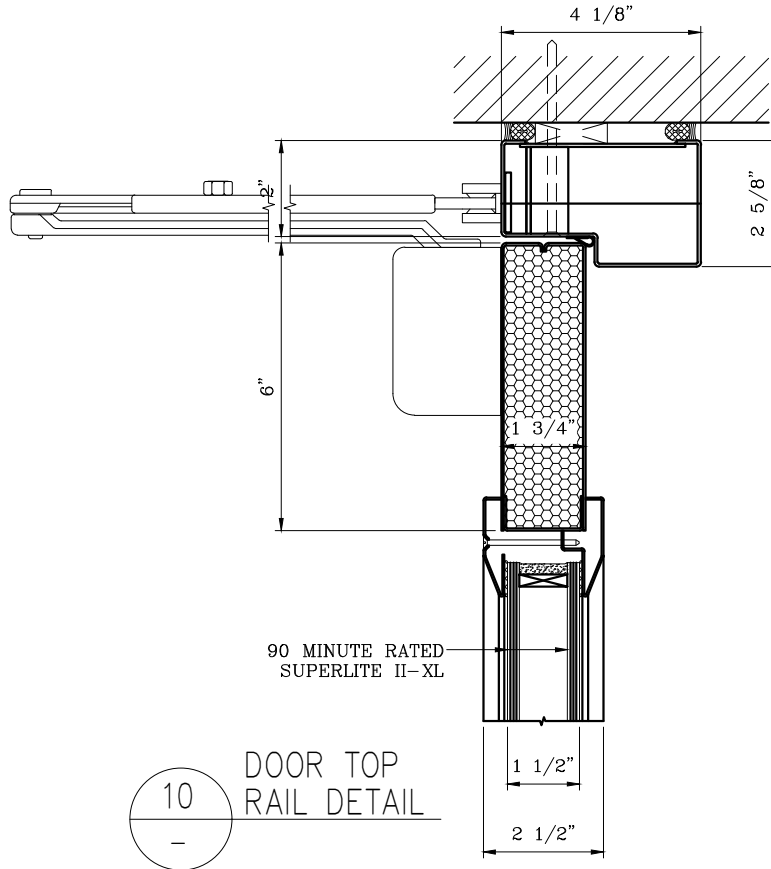
SCALE:

These details are subject to change without notice.

90 MINUTE TEMPERATURE RISE DOOR PAIR

-INTERIOR APPLICATION-

For more details, please visit www.safti.com



SAFTIFIRST™
 FIRE RATED GLAZING SOLUTIONS *Since 1982*
 100 N. HILL DR. SUITE 12 TEL: (415) 824-4900
 BRISBANE, CA 94005 FAX: (415) 824-5900

SuperLite™ II-XL
GPX BUILDERS SERIES
 TEMPERATURE RISE

DATE:

DRAWN:

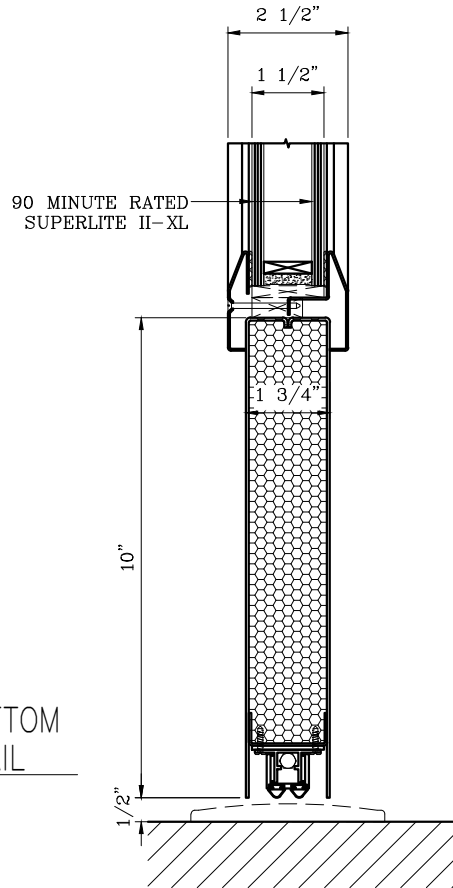
SCALE:

These details are subject to change without notice.

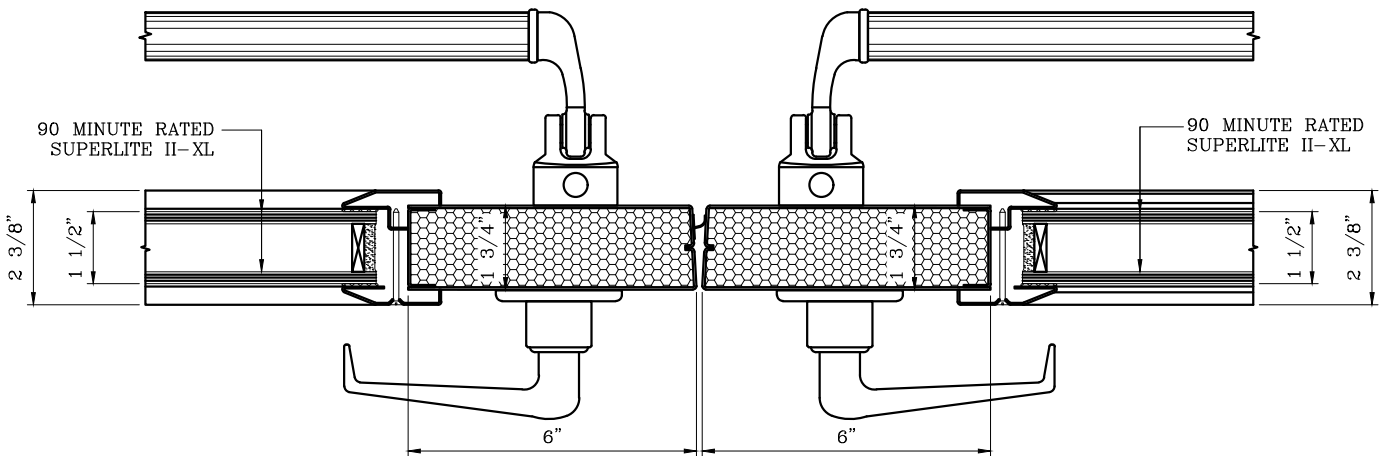
90 MINUTE TEMPERATURE RISE DOOR PAIR

-INTERIOR APPLICATION-

For more details, please visit www.safti.com



7
-
DOOR BOTTOM RAIL DETAIL



9
-
DOOR MEETING STILES DETAIL

SAFTIFIRST™
 FIRE RATED GLAZING SOLUTIONS Since 1982
 100 N. HILL DR. SUITE 12 TEL: (415) 824-4900
 BRISBANE, CA 94005 FAX: (415) 824-5900

SuperLite™ II-XL
GPX BUILDERS SERIES
 TEMPERATURE RISE

DATE:

DRAWN:

SCALE:

These details are subject to change without notice.