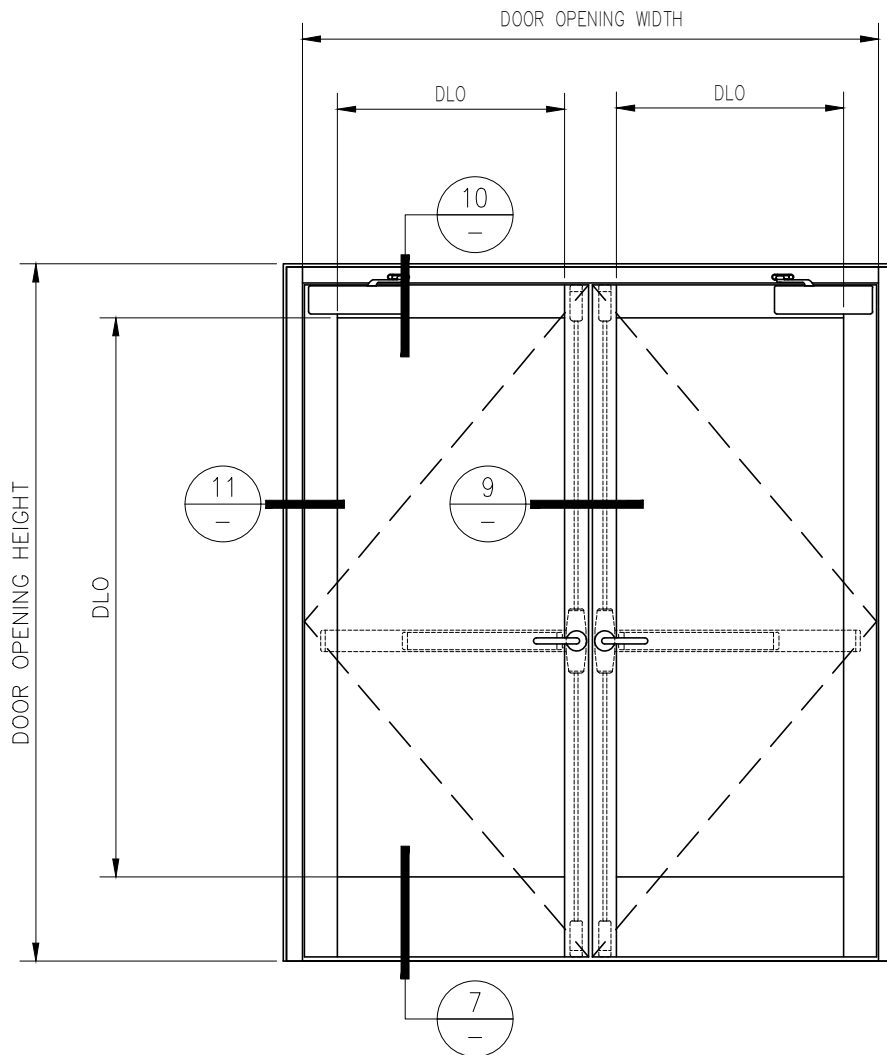


# 90 MINUTE FIRE RESISTIVE GPX DOOR PAIR

—INTERIOR APPLICATION—

For more details, please visit [www.safti.com](http://www.safti.com)



**SAFTIFIRST™**  
FIRE RATED GLAZING SOLUTIONS *Since 1982*  
100 N. HILL DR. SUITE 12 TEL: (415) 824-4900  
BRISBANE, CA 94005 FAX: (415) 824-5900

**SuperLite™ II-XLM**  
**GPX ARCHITECTURAL**  
**SERIES**

DATE:

DRAWN:

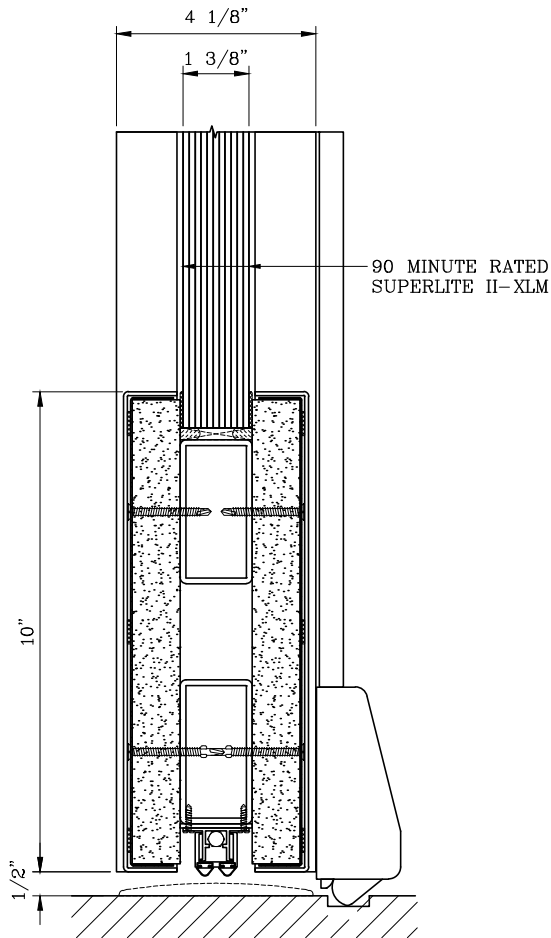
SCALE: NOT TO SCALE

These details are subject to change without notice.

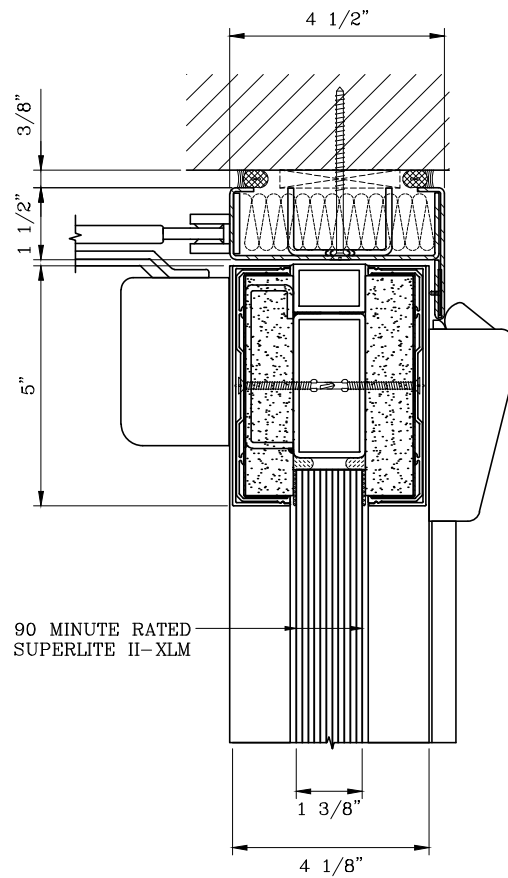
# 90 MINUTE FIRE RESISTIVE GPX DOOR PAIR

## - INTERIOR APPLICATION -

For more details, please visit [www.safti.com](http://www.safti.com)



7 DOOR BOTTOM RAIL DETAIL



10 DOOR TOP RAIL DETAIL

**SAFTIFIRST™**  
 FIRE RATED GLAZING SOLUTIONS *Since 1982*  
 100 N. HILL DR. SUITE 12 TEL: (415) 824-4900  
 BRISBANE, CA 94005 FAX: (415) 824-5900

**SuperLite™ II-XLM**  
**GPX ARCHITECTURAL**  
**SERIES**

DATE:

DRAWN:

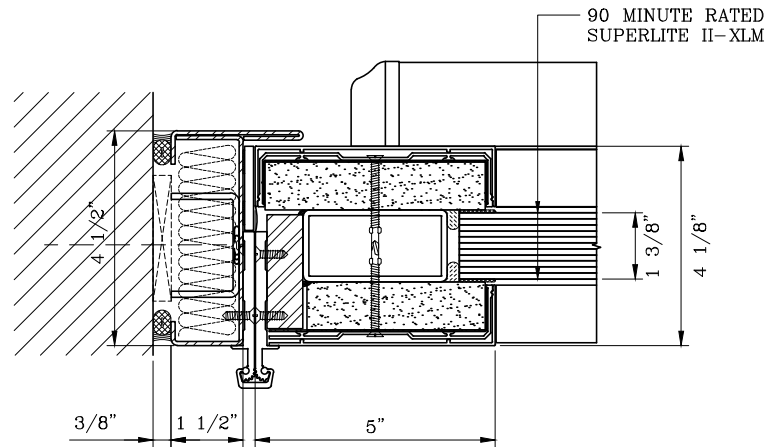
SCALE: NOT TO SCALE

These details are subject to change without notice.

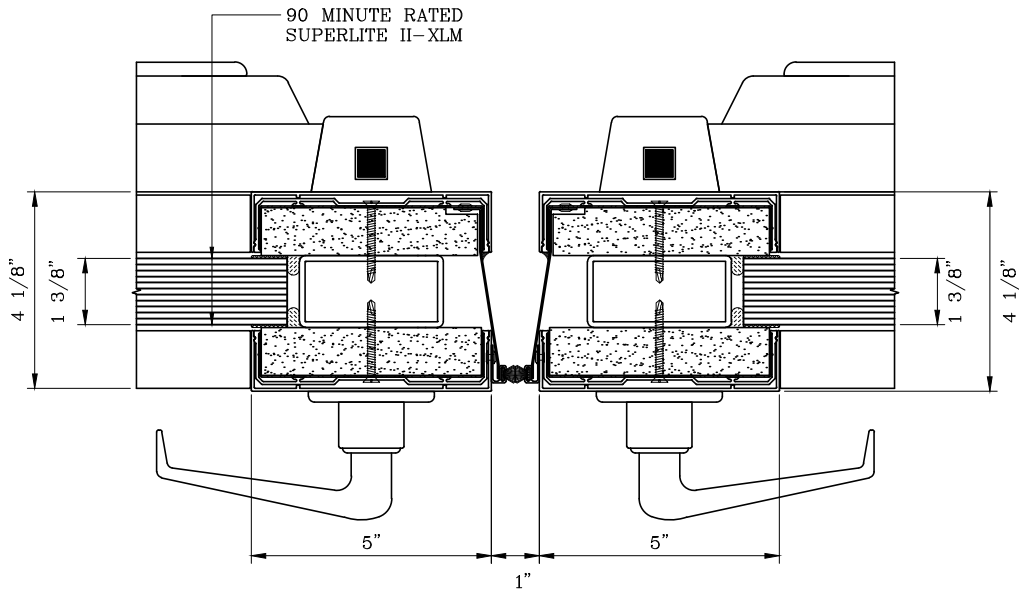
# 90 MINUTE FIRE RESISTIVE GPX DOOR PAIR

—INTERIOR APPLICATION—

For more details, please visit [www.safti.com](http://www.safti.com)



11 DOOR JAMB at HINGE



9 DOOR MEETING STILES DETAIL

**SAFTIFIRST™**  
 FIRE RATED GLAZING SOLUTIONS Since 1982  
 100 N. HILL DR. SUITE 12 TEL: (415) 824-4900  
 BRISBANE, CA 94005 FAX: (415) 824-5900

**SuperLite™ II-XLM**  
**GPX ARCHITECTURAL**  
**SERIES**

DATE:

DRAWN:

SCALE: NOT TO SCALE

These details are subject to change without notice.