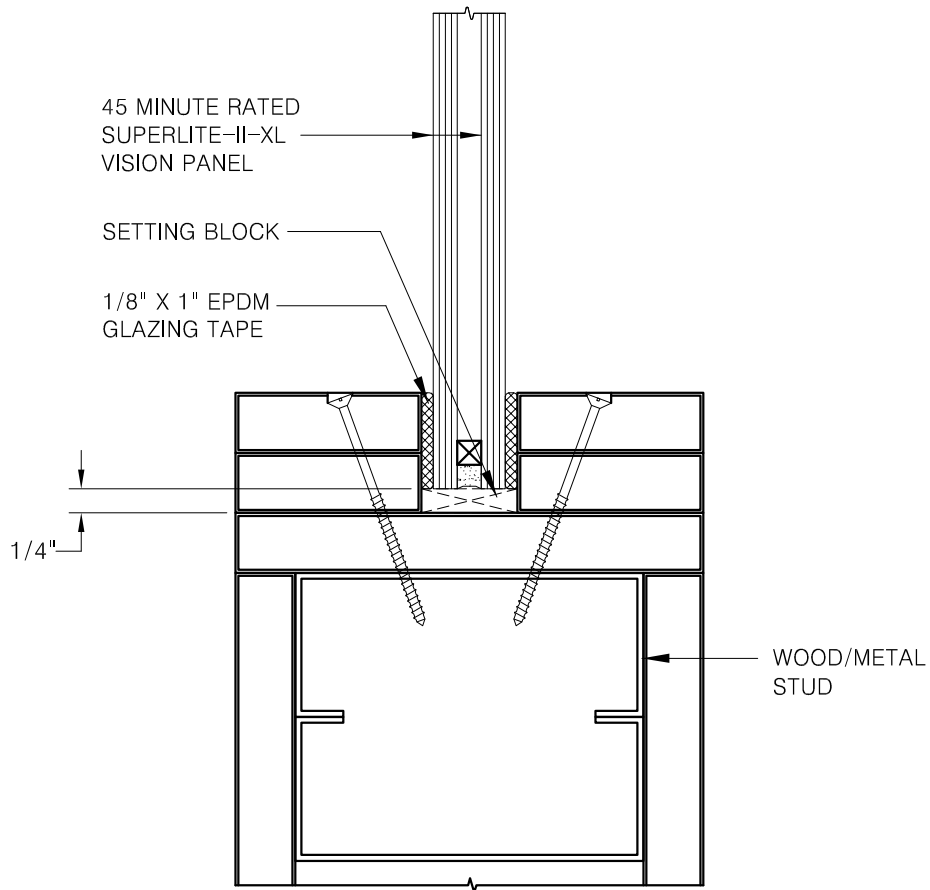


45 MINUTE FIRE RESISTIVE WALL

—INTERIOR APPLICATION—

For more details, please visit www.safti.com



1

SILL DETAIL

SAFTIFIRST™
FIRE RATED GLAZING SOLUTIONS *Since 1982*
100 N. HILL DR. SUITE 12 TEL: (415) 824-4900
BRISBANE, CA 94005 FAX: (415) 824-5900

SuperLite™ II-XL
GPX E-ZFRAME

DATE:

DRAWN:

SCALE: N.T.S.

These details are subject to change without notice.