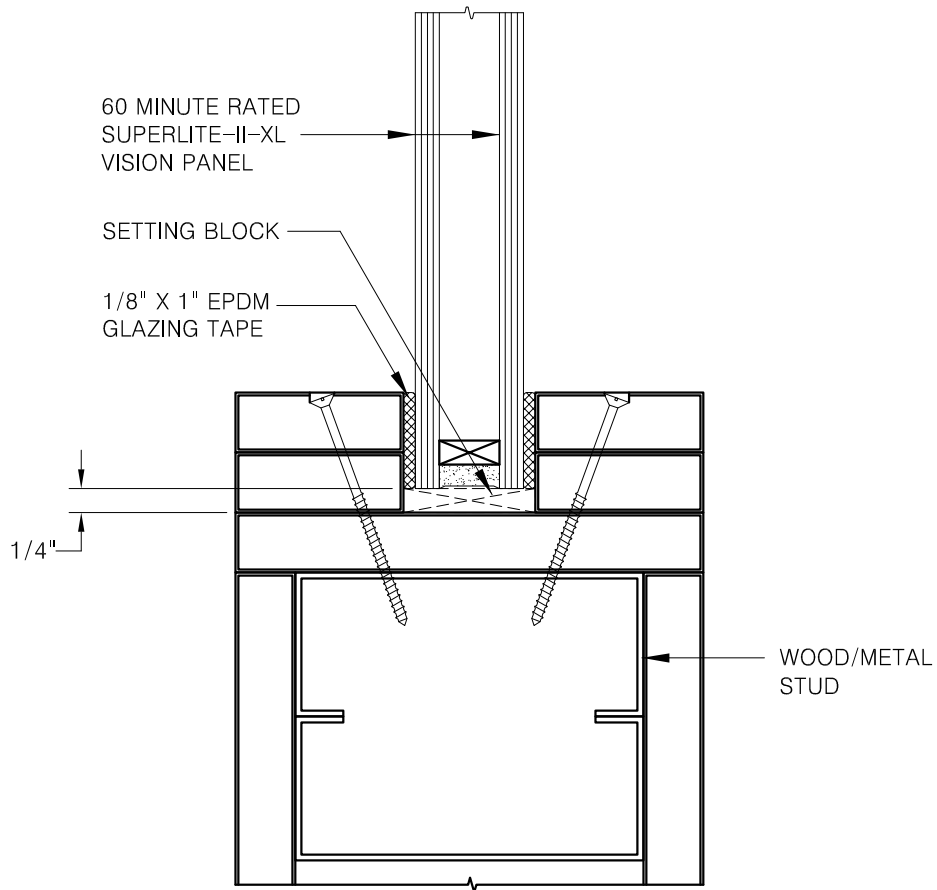


# 60 MINUTE FIRE RESISTIVE WALL

—INTERIOR APPLICATION—

For more details, please visit [www.safti.com](http://www.safti.com)



1 SILL DETAIL

**SAFTIFIRST™**  
FIRE RATED GLAZING SOLUTIONS *Since 1982*  
100 N. HILL DR. SUITE 12 TEL: (415) 824-4900  
BRISBANE, CA 94005 FAX: (415) 824-5900

**SuperLite™ II-XL**  
**GPX E-ZFRAME**

DATE:

DRAWN:

SCALE: N.T.S.

These details are subject to change without notice.