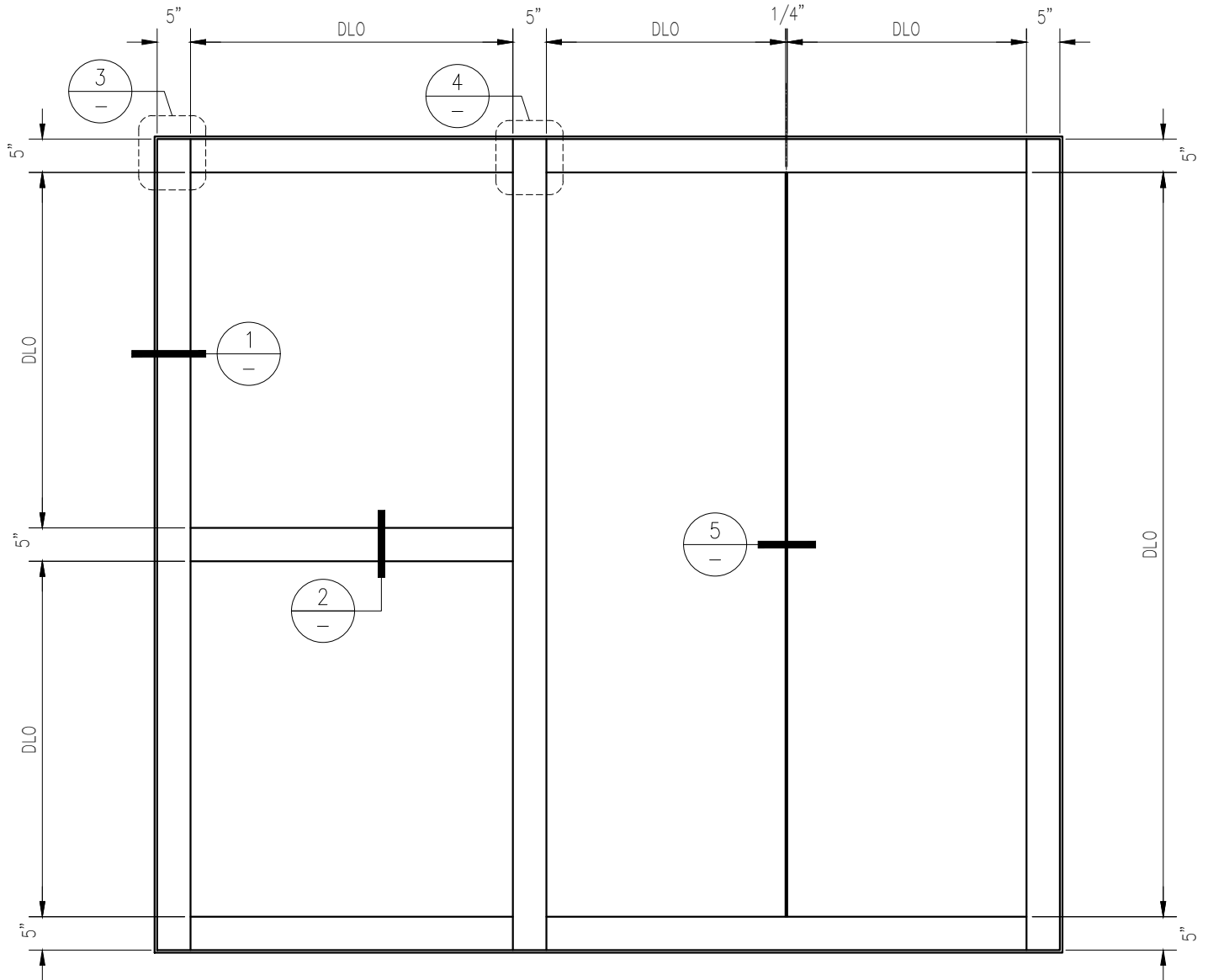


120 MINUTE FIRE RESISTIVE FLOOR SYSTEM

For more details, please visit www.safti.com



SAFTIFIRST™
 FIRE RATED GLAZING SOLUTIONS *Since 1982*
 100 N. HILL DR. SUITE 12 TEL: (415) 824-4900
 BRISBANE, CA 94005 FAX: (415) 824-5900

GPX FIRE FLOOR SYSTEM
Patent Pending

DATE:

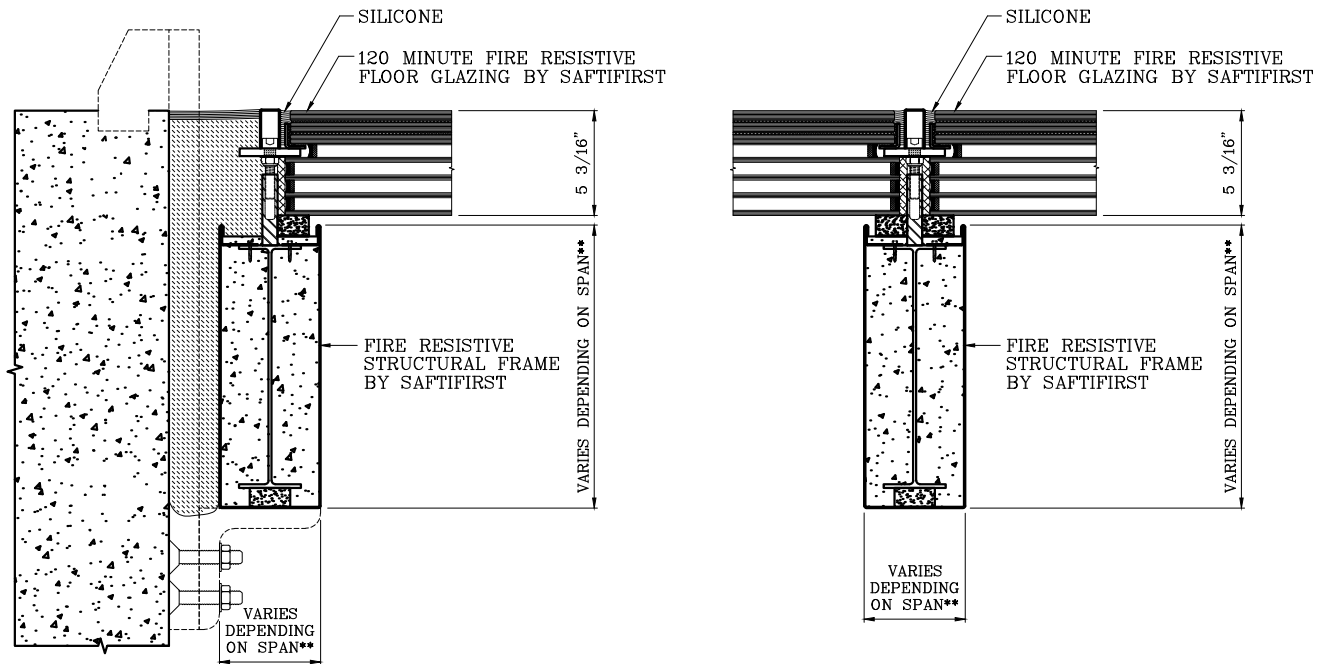
DRAWN:

SCALE: NOT TO SCALE

These details are subject to change without notice.

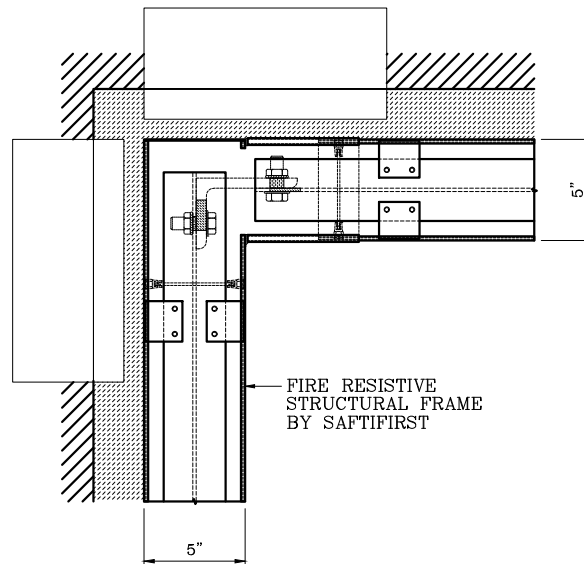
120 MINUTE FIRE RESISTIVE FLOOR SYSTEM

For more details, please visit www.safti.com



① JAMB AT CONCRETE OPENING

② BEAM DETAIL



③ CORNER DETAIL

SAFTIFIRST™
 FIRE RATED GLAZING SOLUTIONS Since 1982
 100 N. HILL DR. SUITE 12 TEL: (415) 824-4900
 BRISBANE, CA 94005 FAX: (415) 824-5900

GPX FIRE FLOOR SYSTEM
 Patent Pending

DATE:

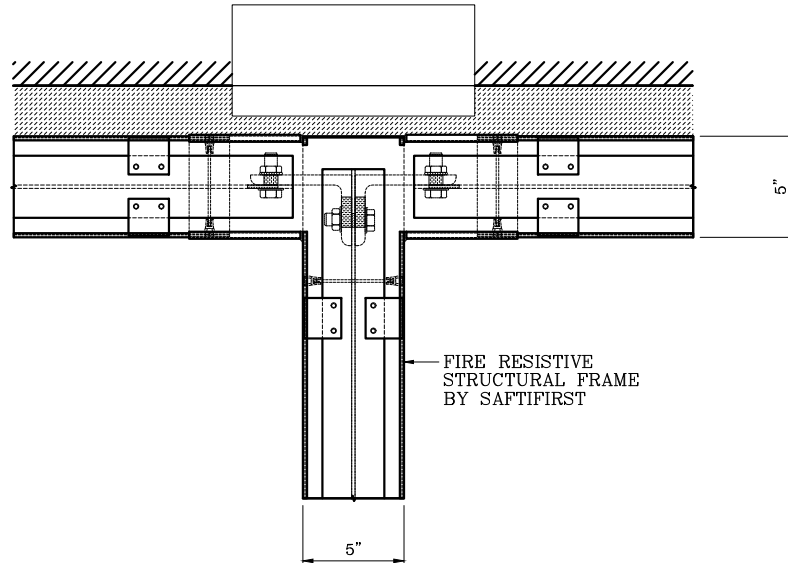
DRAWN:

SCALE: NOT TO SCALE

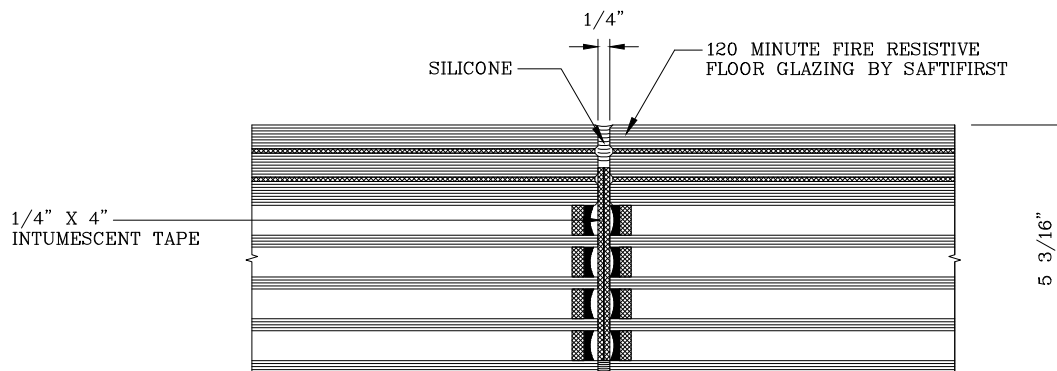
These details are subject to change without notice.

120 MINUTE FIRE RESISTIVE FLOOR SYSTEM

For more details, please visit www.safti.com



4 CONNECTION DETAIL



5 BUTT GLAZED DETAIL

SAFTIFIRST™
 FIRE RATED GLAZING SOLUTIONS *Since 1982*
 100 N. HILL DR. SUITE 12 TEL: (415) 824-4900
 BRISBANE, CA 94005 FAX: (415) 824-5900

GPX FIREFLOOR SYSTEM
Patent Pending

DATE:

DRAWN:

SCALE: NOT TO SCALE

These details are subject to change without notice.