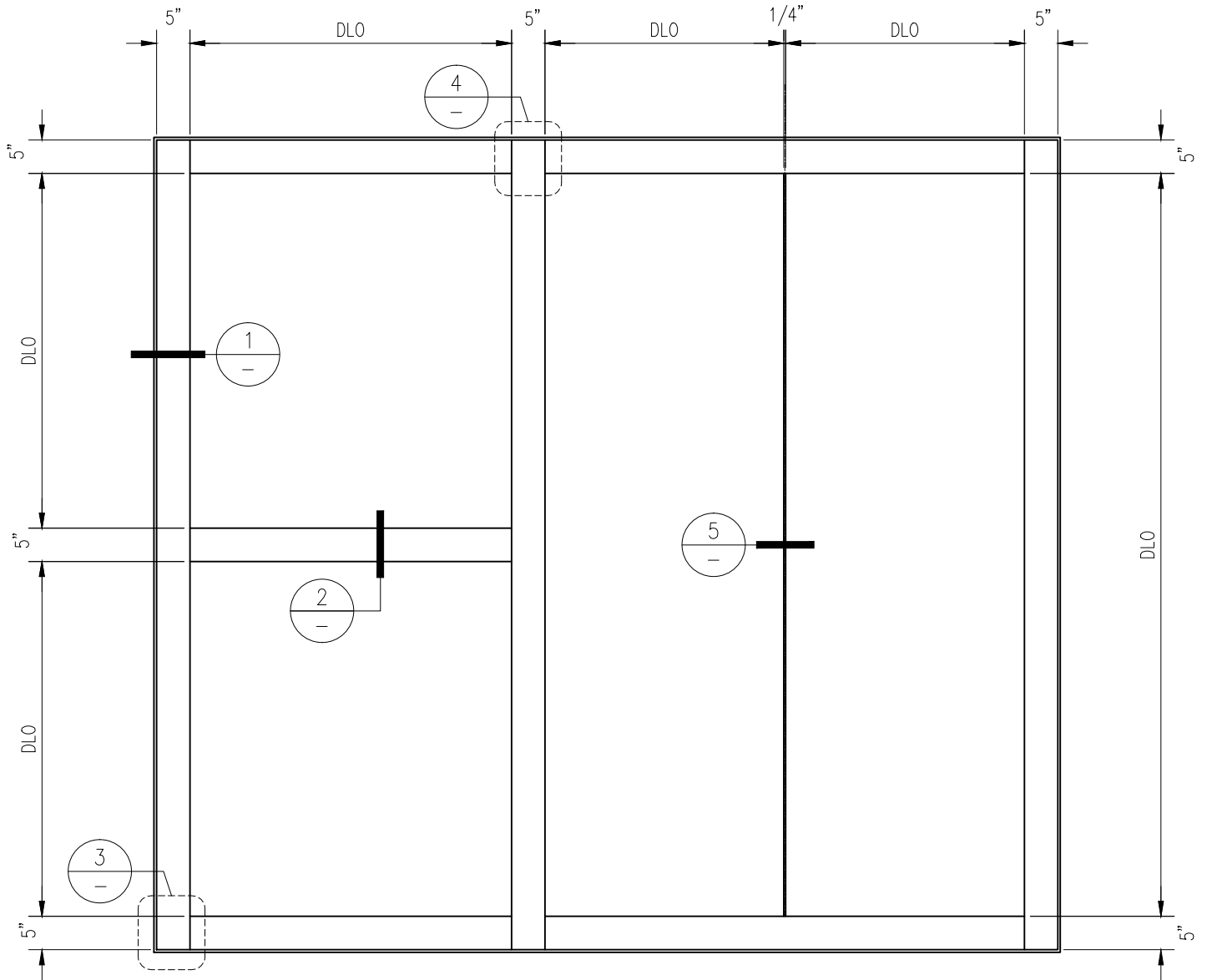


# 60 MINUTE FIRE RESISTIVE FLOOR SYSTEM

For more details, please visit [www.safti.com](http://www.safti.com)



**SAFTIFIRST™**  
 FIRE RATED GLAZING SOLUTIONS *Since 1982*  
 100 N. HILL DR. SUITE 12 TEL: (415) 824-4900  
 BRISBANE, CA 94005 FAX: (415) 824-5900

**GPX FIRE FLOOR SYSTEM**  
*Patent Pending*

DATE:

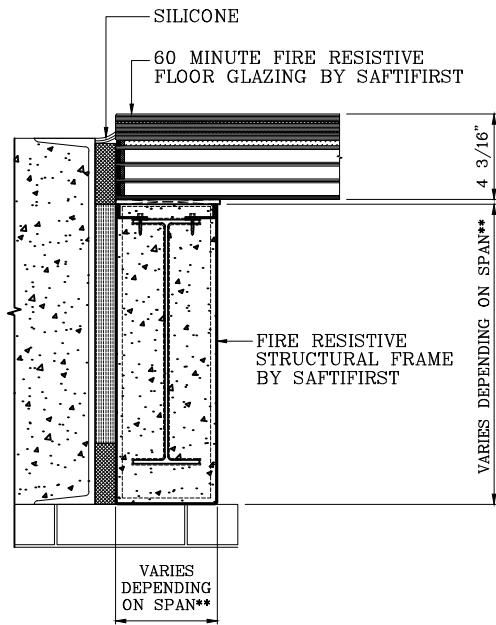
DRAWN:

SCALE: NOT TO SCALE

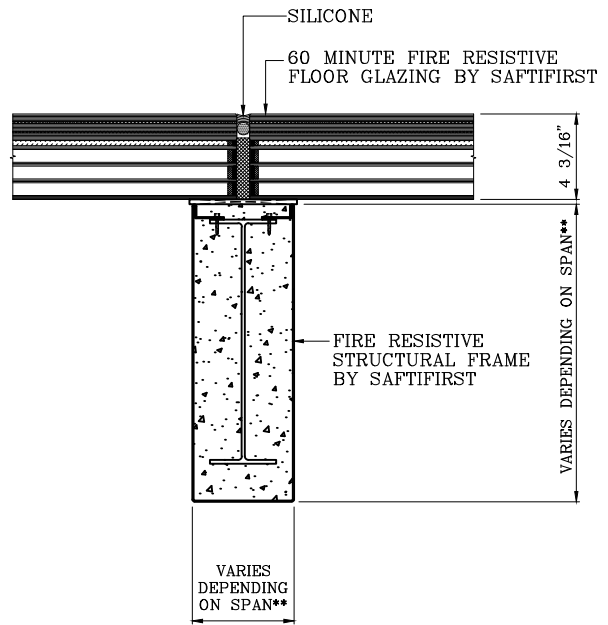
These details are subject to change without notice.

# 60 MINUTE FIRE RESISTIVE FLOOR SYSTEM

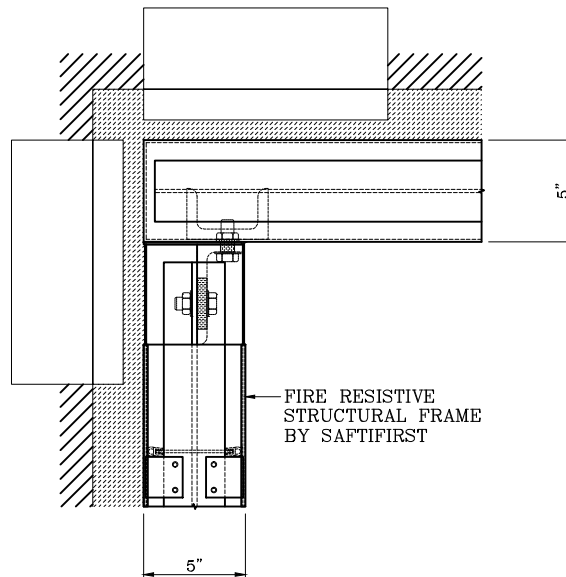
For more details, please visit [www.safti.com](http://www.safti.com)



① JAMB AT CONCRETE OPENING



② BEAM DETAIL



③ CORNER DETAIL

**SAFTIFIRST™**  
 FIRE RATED GLAZING SOLUTIONS Since 1982  
 100 N. HILL DR. SUITE 12 TEL: (415) 824-4900  
 BRISBANE, CA 94005 FAX: (415) 824-5900

**GPX FIRE FLOOR SYSTEM**  
 Patent Pending

DATE:

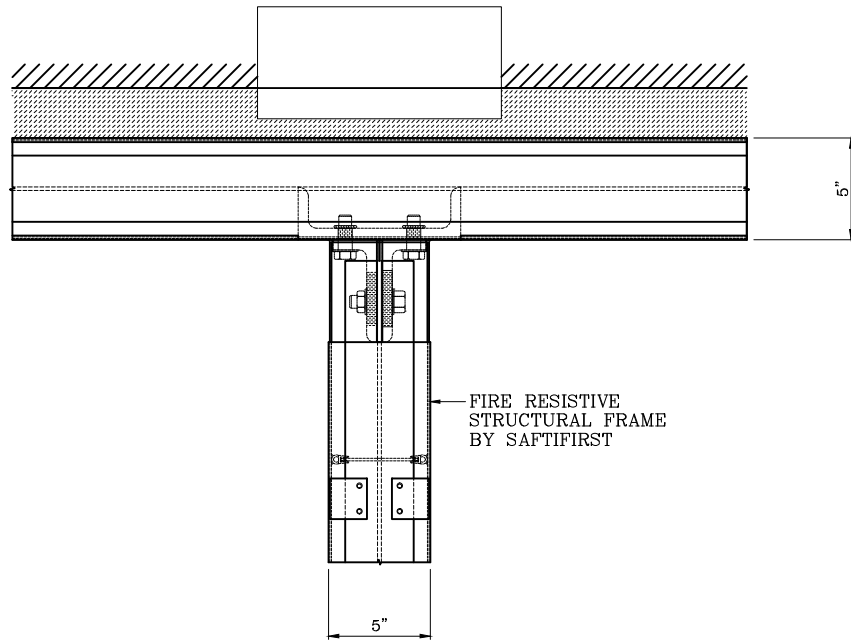
DRAWN:

SCALE: NOT TO SCALE

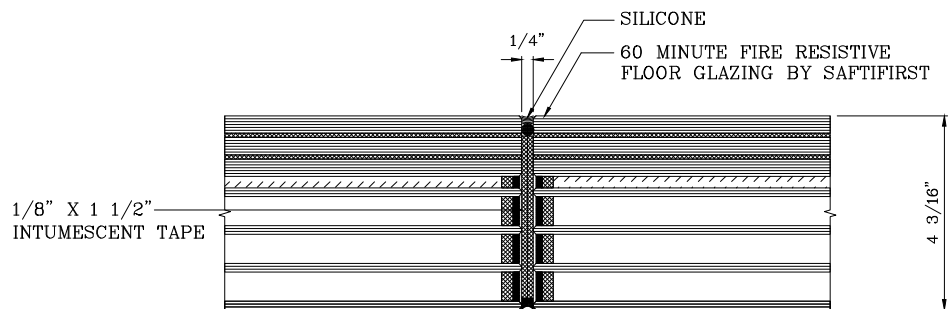
These details are subject to change without notice.

# 60 MINUTE FIRE RESISTIVE FLOOR SYSTEM

For more details, please visit [www.safti.com](http://www.safti.com)



4 CONNECTION DETAIL



5 BUTT GLAZED JOINT

**SAFTIFIRST™**  
 FIRE RATED GLAZING SOLUTIONS *Since 1982*  
 100 N. HILL DR. SUITE 12 TEL: (415) 824-4900  
 BRISBANE, CA 94005 FAX: (415) 824-5900

**GPX FIRE FLOOR SYSTEM**  
*Patent Pending*

DATE:

DRAWN:

SCALE: NOT TO SCALE

These details are subject to change without notice.

# 60 MINUTE FIRE RESISTIVE FLOOR SYSTEM

For more details, please visit [www.safti.com](http://www.safti.com)

<b>**Span Table and Loading Criteria for GPX Fire Floor- 60 Minute</b>						
<b>SPAN</b>	<b>3 ft. 0 in.</b>	<b>6 ft. 0 in.</b>	<b>10 ft. 0 in.</b>	<b>15 ft. 0 in.</b>	<b>20 ft. 0 in.</b>	<b>40 ft. 0 in.</b>
<b>I-Beam Shape</b>	M3x2.9	M4x6	M10x7.5	M12x10.8	M12x19	W21x48
<b>Flange Width</b>	2.25 in.	3.8in.	2.69 in.	3.07 in.	4.01 in.	8.14 in.
<b>Flange Thickness</b>	0.13 in.	0.16 in.	0.173 in.	0.21 in.	0.35 in.	0.43 in.
<b>Overall Depth</b>	3 in.	3.8 in.	10 in.	12 in.	12.2 in.	20.6 in.
<b>Web Thickness</b>	0.09 in.	0.13 in.	0.13 in.	0.16 in.	0.235 in.	0.35 in.

Loading Criteria: 35 lbs./sq.ft dead load  
100 lbs./sq.ft live load

For spans greater than 40 ft. please contact SAFTI FIRST.

 **SAFTIFIRST™**  
FIRE RATED GLAZING SOLUTIONS *Since 1982*  
100 N. HILL DR. SUITE 12 TEL: (415) 824-4900  
BRISBANE, CA 94005 FAX: (415) 824-5900

**GPX FIRE FLOOR SYSTEM**  
*Patent Pending*

DATE:

DRAWN:

SCALE: NOT TO SCALE

These details are subject to change without notice.