
NFRC CMAST

Last Updated June 2022

U-Factor, SHGC & VT Simulated Values with SuperLite II-XL, SuperClear 45-HS, SuperClear 45-HS-LI and GPX Framing by SAFTI **FIRST**

General Disclaimer:

The values shown here are simulations performed in CMAST using NFRC's standard test sizes. They serve as general performance indicators or predictors only. U-Factors and thermal performance are general weighted averages comprised of center of glass, glass edge and framing values, while SHGC is predicated on the coatings. Overall size, configuration and quantities may impact performance levels.

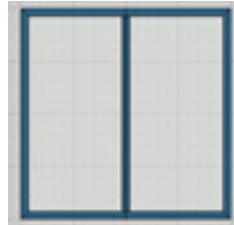
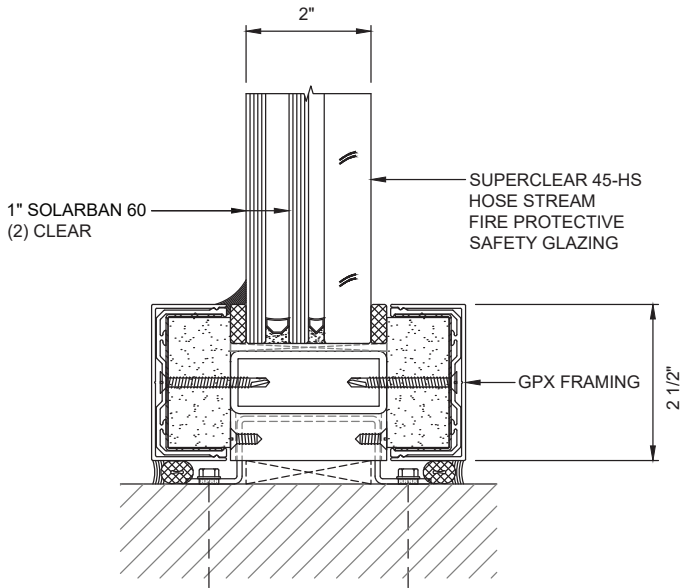
Designers may request project-specific NFRC Bid Reports using the sizes and configurations for that project. These bid reports are for design purposes only and are not official NFRC Label Certificates. If NFRC Label Certificates are needed, it may be requested and provided for a fee.

*Starphire versions of SuperLite II-XL products are also available. Please note that SAFTI **FIRST** can only simulate U-Factors, SHGC and VT on products that are available in CMAST.*

NFRC CMAST U-Factor, SHGC and VT Simulated Values

All sizes are based on NFRC standard test sizes in CMAST

1" Solarban 60 (2) Clear + 1/4" Argon + SuperClear 45-HS in GPX Framing

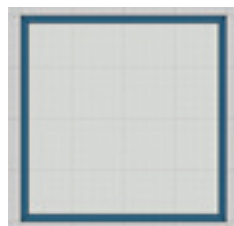


Curtain Wall with Vertical Mullions -
78.74 in. x 78.74 in.

U-Factor: 0.259

SHGC: 0.295

VT: 0.484



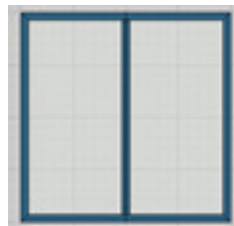
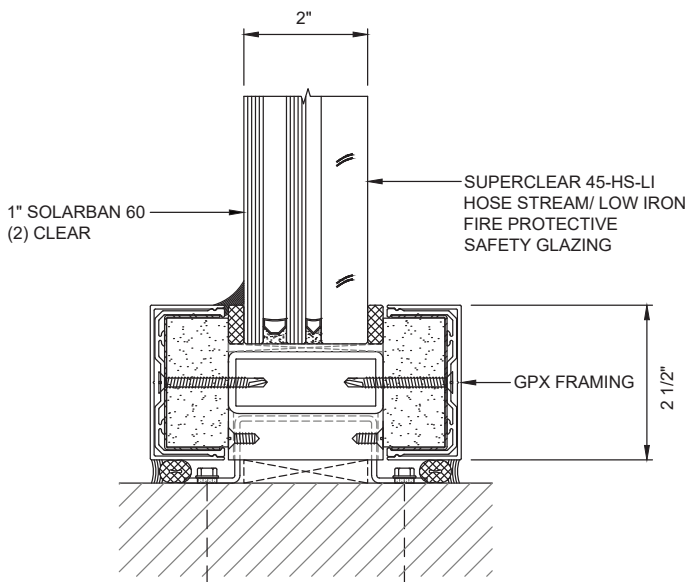
Punched Opening -
47.24 in. x 59.06 in.

U-Factor: 0.263

SHGC: 0.286

VT: 0.467

1" Solarban 60 (2) Clear + 1/4" Argon + SuperClear 45-HS-LI in GPX Framing

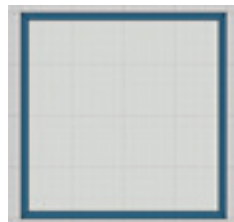


Curtain Wall with Vertical Mullions -
78.74 in. x 78.74 in.

U-Factor: 0.259

SHGC: 0.300

VT: 0.522



Punched Opening -
47.24 in. x 59.06 in.

U-Factor: 0.263

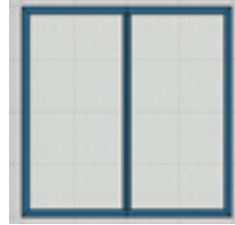
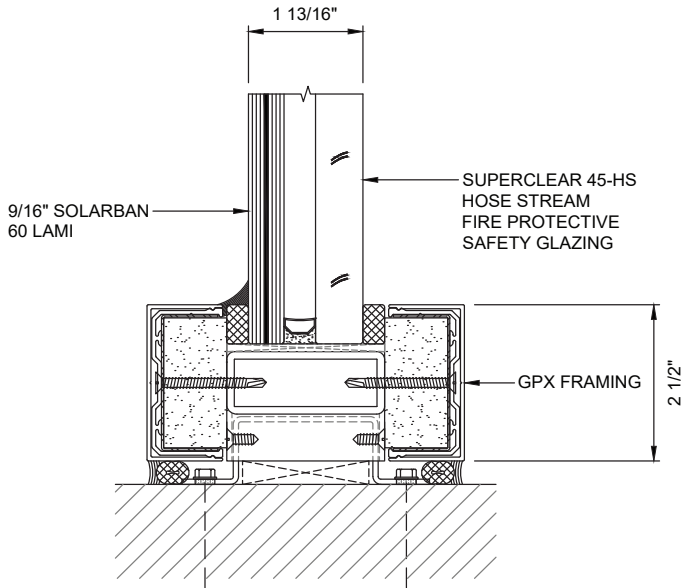
SHGC: 0.291

VT: 0.504

NFRC CMAST U-Factor, SHGC and VT Simulated Values

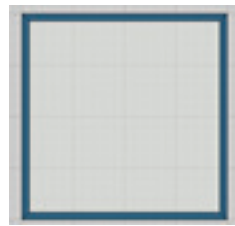
All sizes are based on NFRC standard test sizes in CMAST

9/16" Solarban 60 Lami + 1/2" Argon + SuperClear 45-HS in GPX Framing



Curtain Wall with Vertical Mullions -
78.74 in. x 78.74 in.

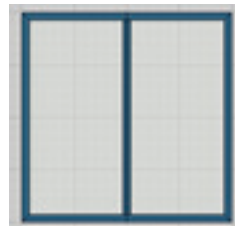
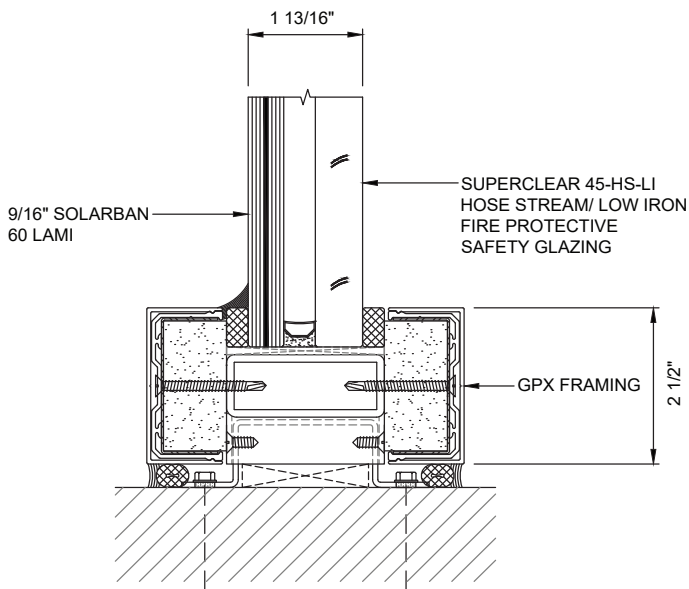
U-Factor: 0.424
SHGC: 0.298
VT: 0.497



Punched Opening -
47.24 in. x 59.06 in.

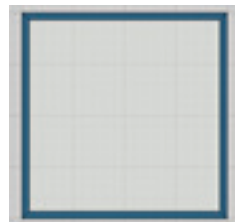
U-Factor: 0.425
SHGC: 0.29
VT: 0.48

9/16" Solarban 60 Lami + 1/2" Argon + SuperClear 45-HS-LI in GPX Framing



Curtain Wall with Vertical Mullions -
78.74 in. x 78.74 in.

U-Factor: 0.425
SHGC: 0.31
VT: 0.535



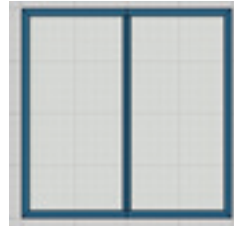
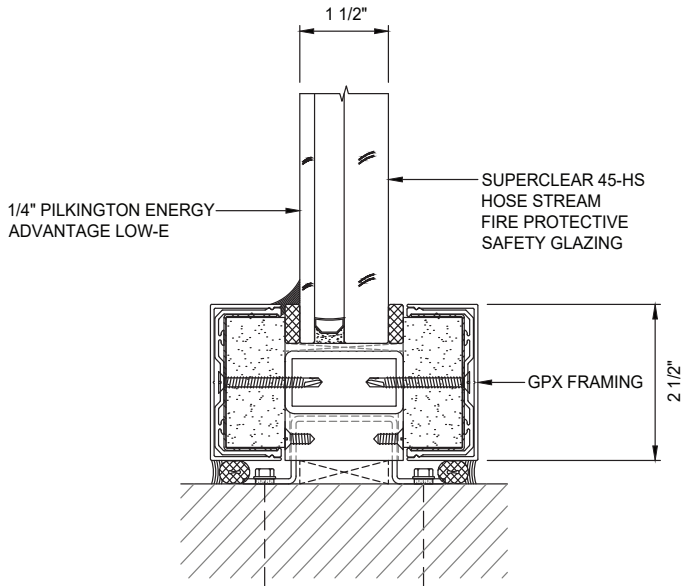
Punched Opening -
47.24 in. x 59.06 in.

U-Factor: 0.425
SHGC: 0.301
VT: 0.517

NFRC CMAST U-Factor, SHGC and VT Simulated Values

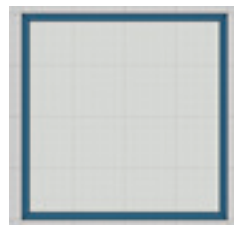
All sizes are based on NFRC standard test sizes in CMAST

1/4" Pilkington Energy Advantage Low-E + 1/2" Argon + SuperClear 45-HS in GPX Framing



Curtain Wall with Vertical Mullions -
78.74 in. x 78.74 in.

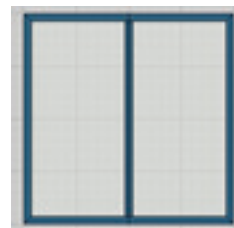
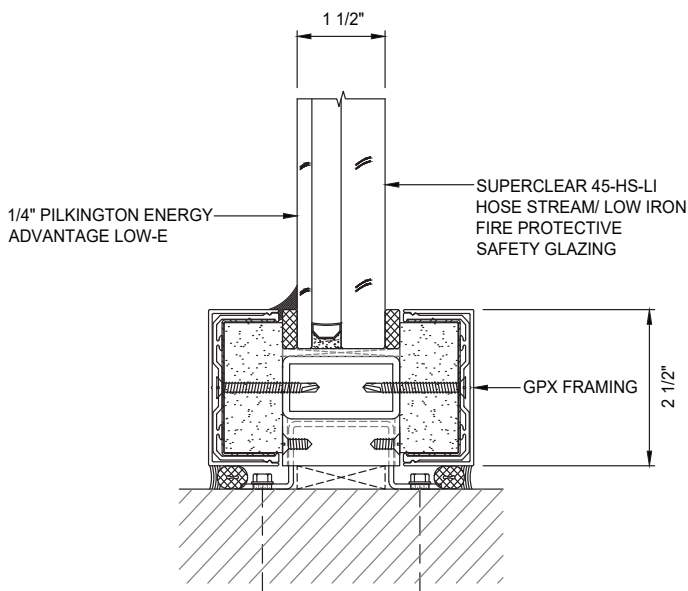
U-Factor: 0.423
SHGC: 0.500
VT: 0.570



Punched Opening -
47.24 in. x 59.06 in.

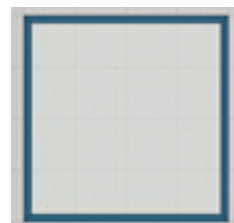
U-Factor: 0.423
SHGC: 0.485
VT: 0.551

1/4" Pilkington Energy Advantage Low-E + 1/2" Argon + SuperClear 45-HS-LI in GPX Framing



Curtain Wall with Vertical Mullions -
78.74 in. x 78.74 in.

U-Factor: 0.423
SHGC: 0.541
VT: 0.615



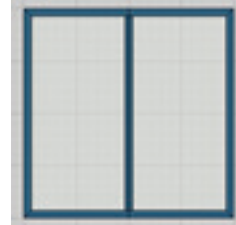
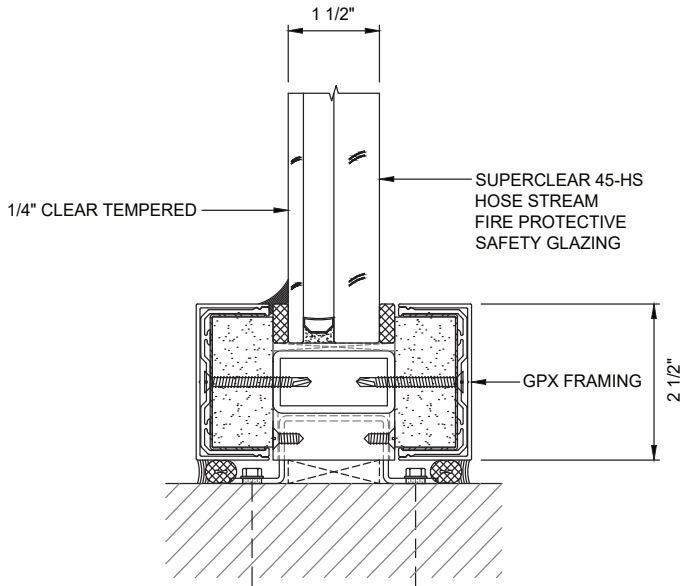
Punched Opening -
47.24 in. x 59.06 in.

U-Factor: 0.423
SHGC: 0.524
VT: 0.594

NFRC CMAST U-Factor, SHGC and VT Simulated Values

All sizes are based on NFRC standard test sizes in CMAST

1/4" Clear Tempered + 1/2" Argon + SuperClear 45-HS in GPX Framing

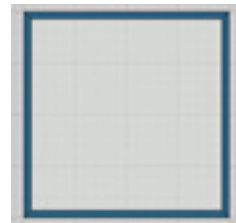


Curtain Wall with Vertical Mullions -
78.74 in. x 78.74 in.

U-Factor: 0.426

SHGC: 0.557

VT: 0.615



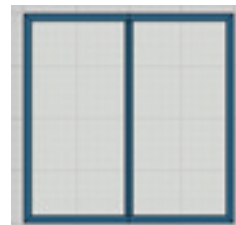
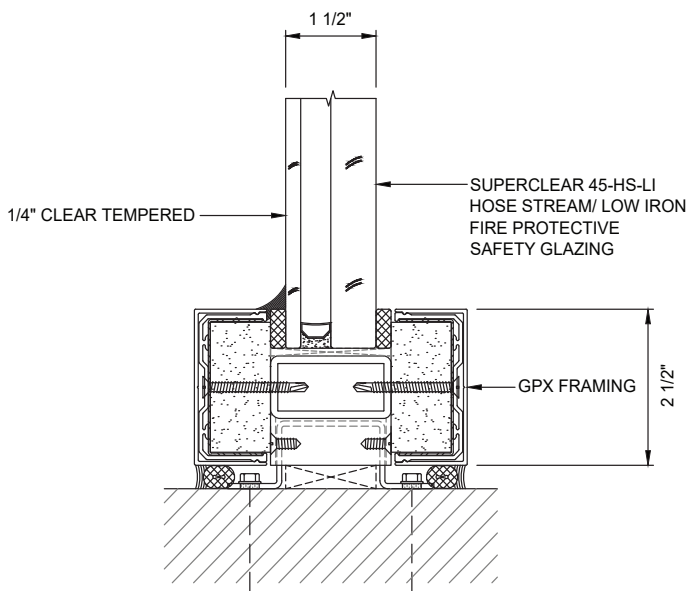
Punched Opening -
47.24 in. x 59.06 in.

U-Factor: 0.426

SHGC: 0.540

VT: 0.594

1/4" Clear Tempered + 1/2" Argon + SuperClear 45-HS-LI in GPX Framing

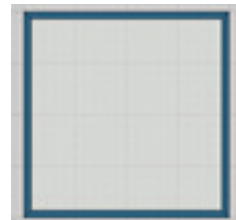


Curtain Wall with Vertical Mullions -
78.74 in. x 78.74 in.

U-Factor: 0.426

SHGC: 0.607

VT: 0.663



Punched Opening -
47.24 in. x 59.06 in.

U-Factor: 0.426

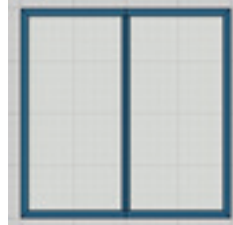
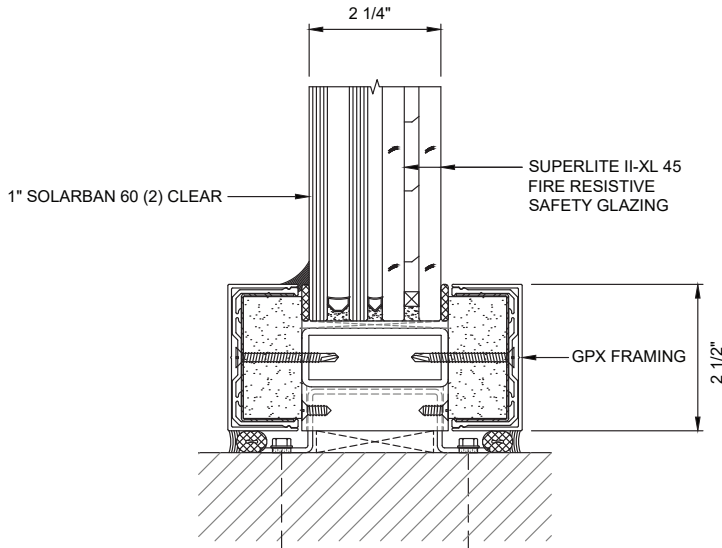
SHGC: 0.588

VT: 0.641

NFRC CMAST U-Factor, SHGC and VT Simulated Values

All sizes are based on NFRC standard test sizes in CMAST

1" Solarban 60 (2) Clear + 1/4" Argon + SuperLite II-XL 45 in GPX Framing

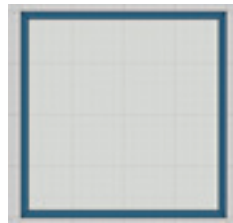


Curtain Wall with Vertical Mullions -
78.74 in. x 78.74 in.

U-Factor: 0.251

SHGC: 0.294

VT: 0.519



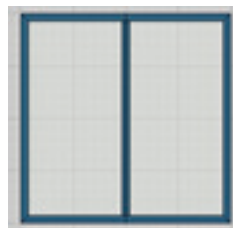
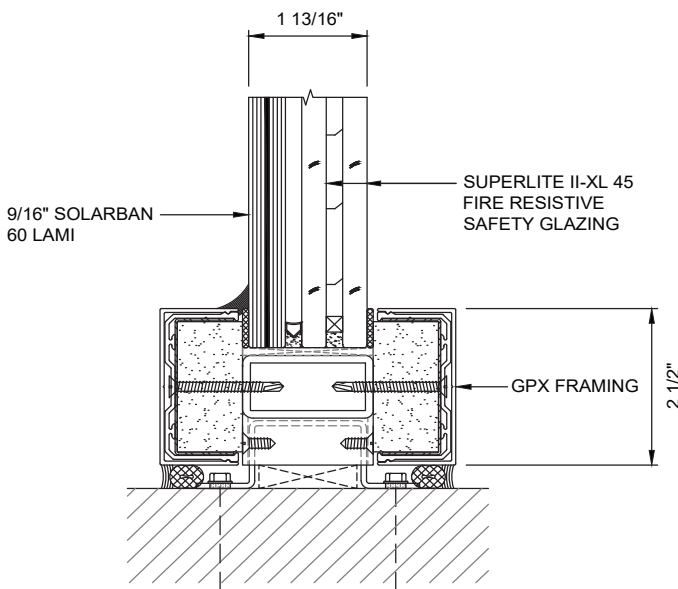
Punched Opening -
47.24 in. x 59.06 in.

U-Factor: 0.266

SHGC: 0.278

VT: 0.448

9/16" Solarban 60 Lami + 1/4" Argon + SuperLite II-XL 45 in GPX Framing

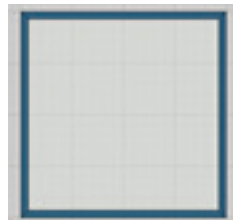


Curtain Wall with Vertical Mullions -
78.74 in. x 78.74 in.

U-Factor: 0.43

SHGC: 0.286

VT: 0.477



Punched Opening -
47.24 in. x 59.06 in.

U-Factor: 0.431

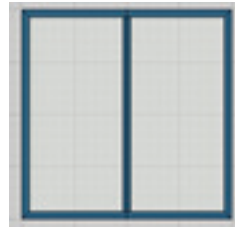
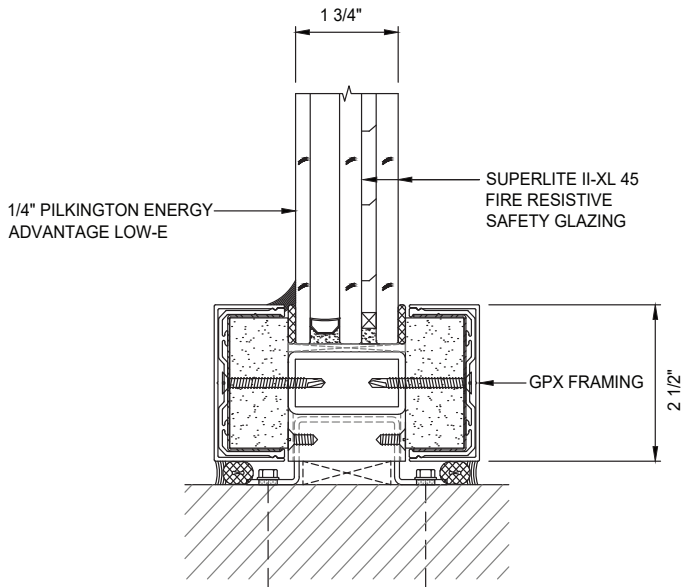
SHGC: 0.278

VT: 0.46

NFRC CMAST U-Factor, SHGC and VT Simulated Values

All sizes are based on NFRC standard test sizes in CMAST

1/4" Pilkington Energy Advantage Low-E + 1/2" Argon + SuperLite II-XL 45 in GPX Framing

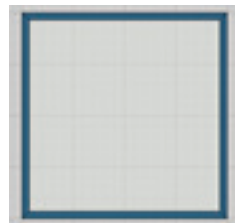


Curtain Wall with Vertical Mullions -
78.74 in. x 78.74 in.

U-Factor: 0.304

SHGC: 0.479

VT: 0.54



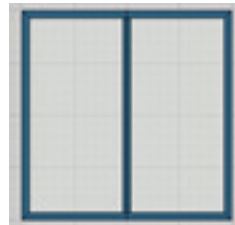
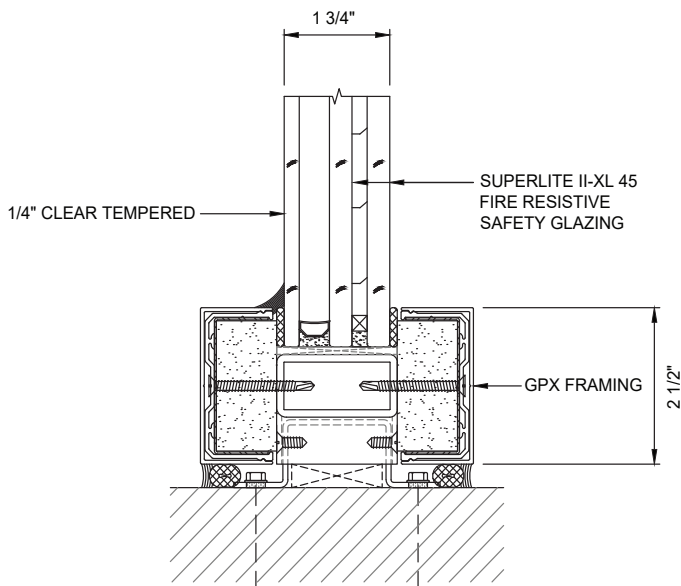
Punched Opening -
47.24 in. x 59.06 in.

U-Factor: 0.307

SHGC: 0.465

VT: 0.522

1/4" Clear Tempered + 1/2" Argon + SuperLite II-XL 45 in GPX Framing

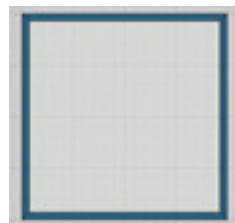


Curtain Wall with Vertical Mullions -
78.74 in. x 78.74 in.

U-Factor: 0.407

SHGC: 0.505

VT: 0.582



Punched Opening -
47.24 in. x 59.06 in.

U-Factor: 0.408

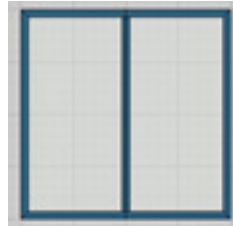
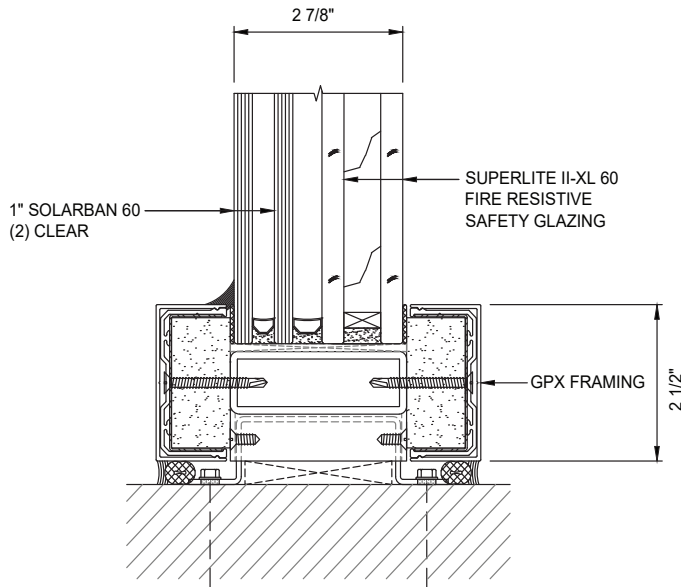
SHGC: 0.491

VT: 0.562

NFRC CMAST U-Factor, SHGC and VT Simulated Values

All sizes are based on NFRC standard test sizes in CMAST

1" Solarban 60 (2) Clear + 1/2" Argon + SuperLite II-XL 60 in GPX Framing

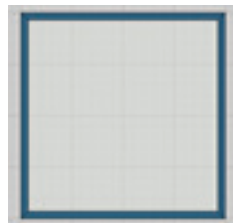


Curtain Wall with Vertical Mullions -
78.74 in. x 78.74 in.

U-Factor: 0.252

SHGC: 0.285

VT: 0.464



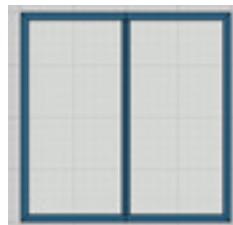
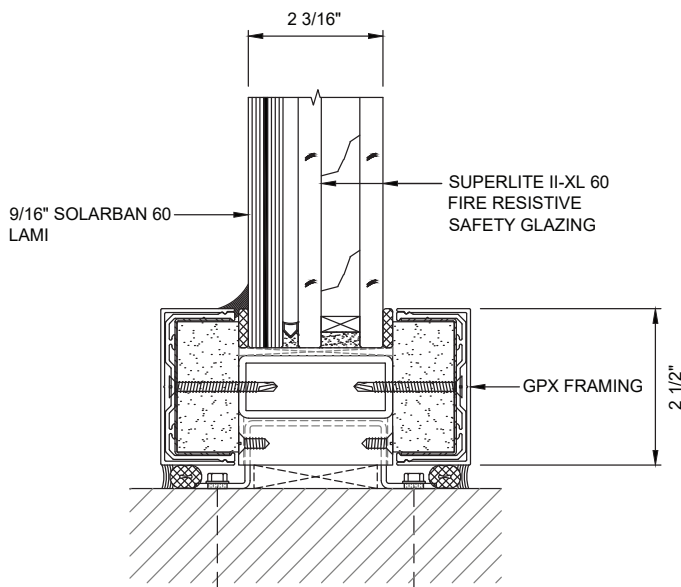
Punched Opening -
47.24 in. x 59.06 in.

U-Factor: 0.258

SHGC: 0.276

VT: 0.448

9/16" Solarban 60 Lami + 1/4" Argon + SuperLite II-XL 60 in GPX Framing

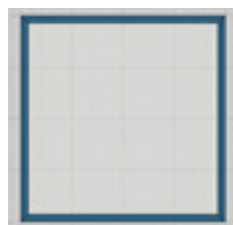


Curtain Wall with Vertical Mullions -
78.74 in. x 78.74 in.

U-Factor: 0.409

SHGC: 0.281

VT: 0.475



Punched Opening -
47.24 in. x 59.06 in.

U-Factor: 0.411

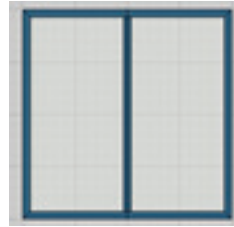
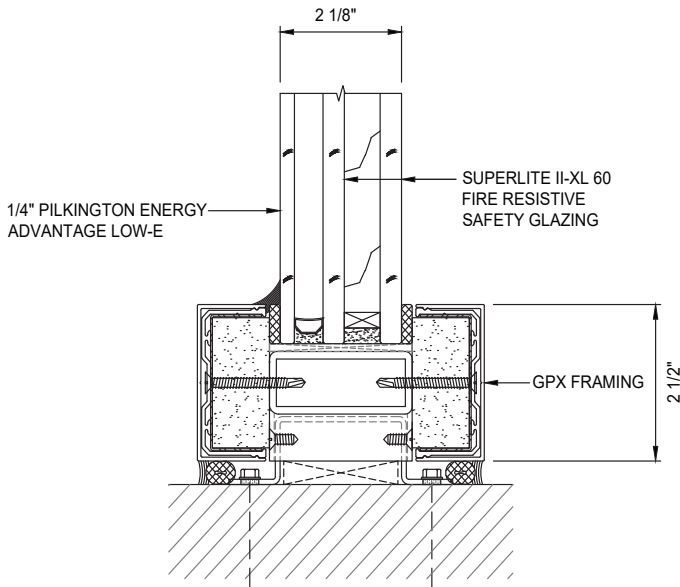
SHGC: 0.273

VT: 0.458

NFRC CMAST U-Factor, SHGC and VT Simulated Values

All sizes are based on NFRC standard test sizes in CMAST

1/4" Pilkington Energy Advantage Low-E + 1/2" Argon + SuperLite II-XL 60 in GPX Framing

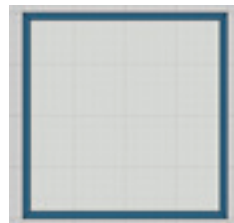


Curtain Wall with Vertical Mullions -
78.74 in. x 78.74 in.

U-Factor: 0.295

SHGC: 0.473

VT: 0.538



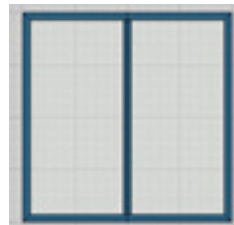
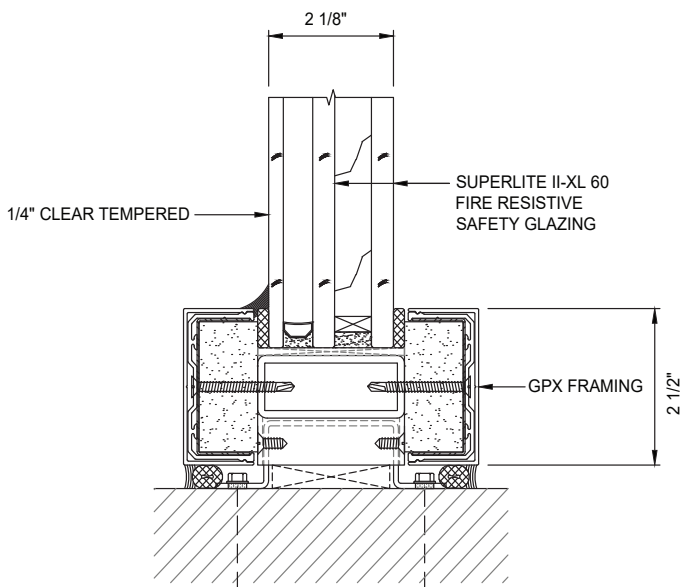
Punched Opening -
47.24 in. x 59.06 in.

U-Factor: 0.299

SHGC: 0.459

VT: 0.519

1/4" Clear Tempered + 1/2" Argon + SuperLite II-XL 60 in GPX Framing

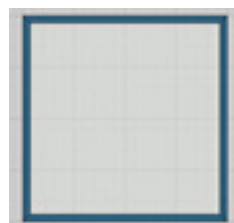


Curtain Wall with Vertical Mullions -
78.74 in. x 78.74 in.

U-Factor: 0.389

SHGC: 0.498

VT: 0.579



Punched Opening -
47.24 in. x 59.06 in.

U-Factor: 0.391

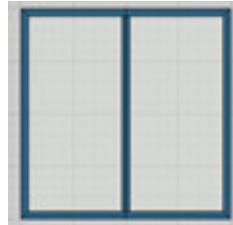
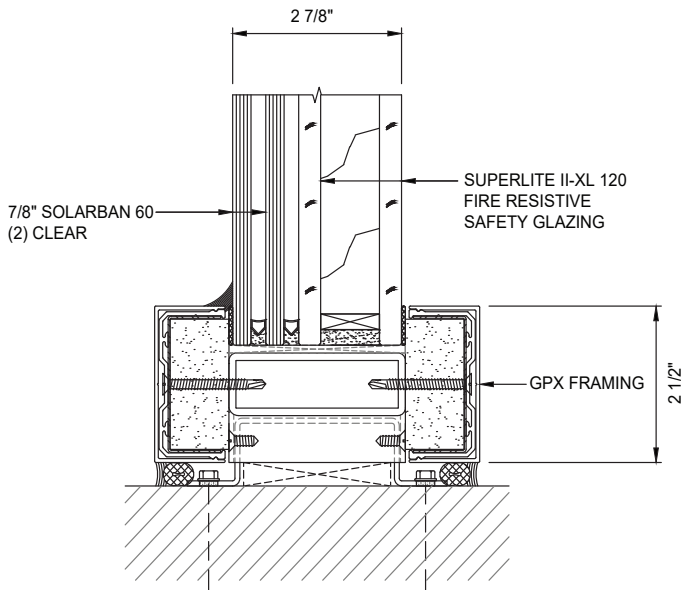
SHGC: 0.483

VT: 0.559

NFRC CMAST U-Factor, SHGC and VT Simulated Values

All sizes are based on NFRC standard test sizes in CMAST

7/8" Solarban 60 (2) Clear + 1/4" Argon + SuperLite II-XL 120 in GPX Framing

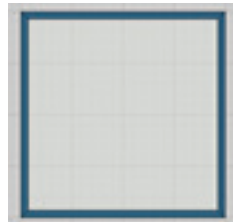


Curtain Wall with Vertical Mullions - 78.74 in. x 78.74 in.

U-Factor: 0.268

SHGC: 0.28

VT: 0.459



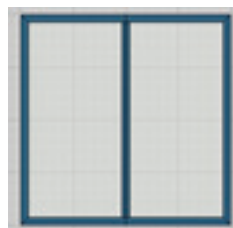
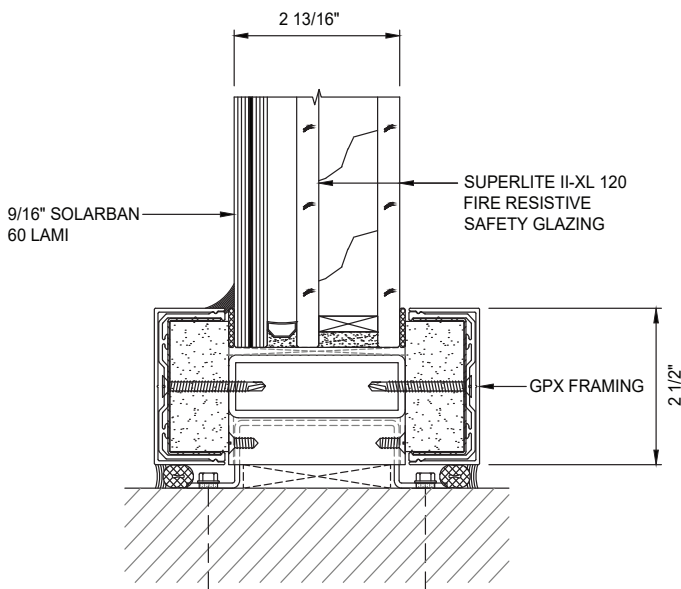
Punched Opening - 47.24 in. x 59.06 in.

U-Factor: 0.274

SHGC: 0.272

VT: 0.444

9/16" Solarban 60 Lami + 1/2" Argon + SuperLite II-XL 120 in GPX Framing

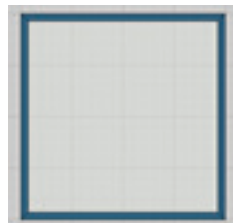


Curtain Wall with Vertical Mullions - 78.74 in. x 78.74 in.

U-Factor: 0.369

SHGC: 0.275

VT: 0.471



Punched Opening - 47.24 in. x 59.06 in.

U-Factor: 0.372

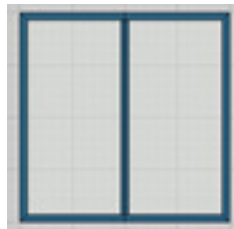
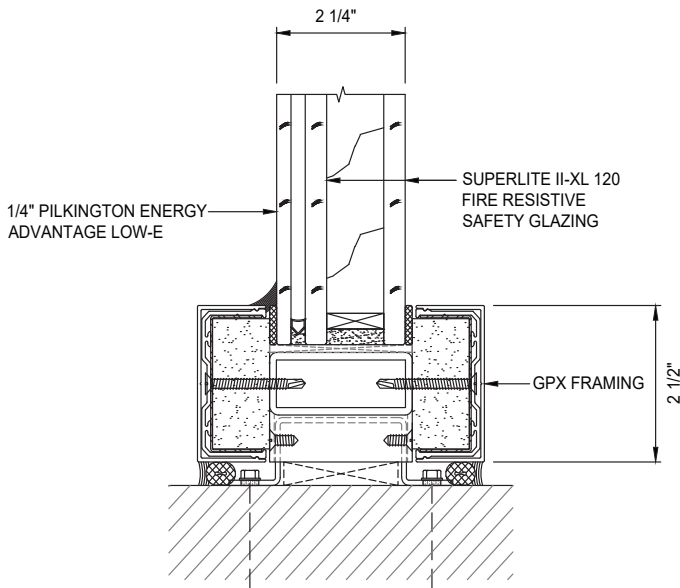
SHGC: 0.267

VT: 0.455

NFRC CMAST U-Factor, SHGC and VT Simulated Values

All sizes are based on NFRC standard test sizes in CMAST

1/4" Pilkington Energy Advantage Low-E + 1/4" Argon + SuperLite II-XL 120 in GPX Framing

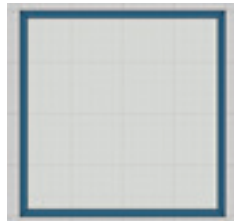


Curtain Wall with Vertical Mullions -
78.74 in. x 78.74 in.

U-Factor: 0.328

SHGC: 0.452

VT: 0.532



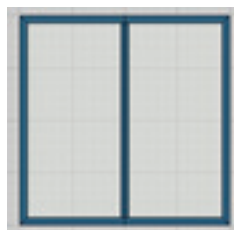
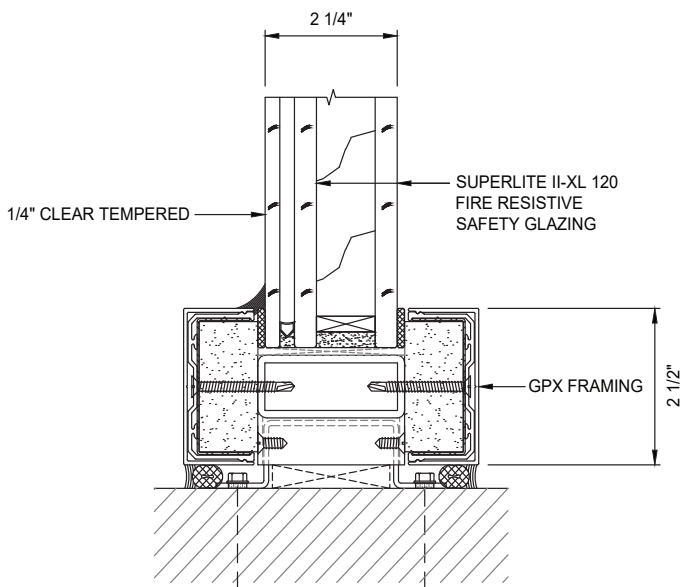
Punched Opening -
47.24 in. x 59.06 in.

U-Factor: 0.331

SHGC: 0.439

VT: 0.514

1/4" Clear Tempered + 1/4" Argon + SuperLite II-XL 120 in GPX Framing

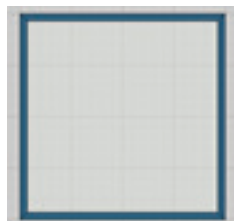


Curtain Wall with Vertical Mullions -
78.74 in. x 78.74 in.

U-Factor: 0.395

SHGC: 0.481

VT: 0.573



Punched Opening -
47.24 in. x 59.06 in.

U-Factor: 0.397

SHGC: 0.467

VT: 0.554