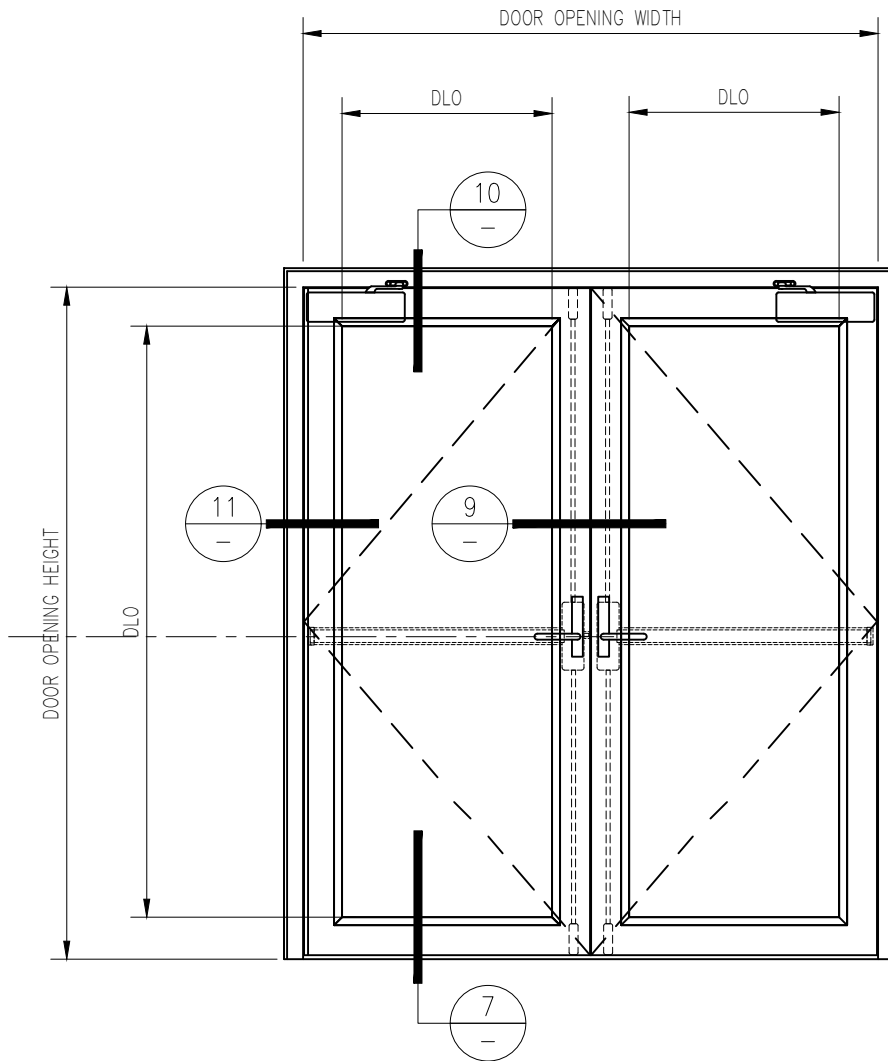


20 MINUTE NARROW PROFILE FIRE PROTECTIVE DOOR PAIR

—INTERIOR APPLICATION—

For more details, please visit www.safti.com



SAFTIFIRST™
 FIRE RATED GLAZING SOLUTIONS *Since 1982*
 100 N. HILL DR. SUITE 12 TEL: (415) 824-4900
 BRISBANE, CA 94005 FAX: (415) 824-5900

SuperLite™ I
GPX BUILDERS SERIES
 FIRE PROTECTIVE

DATE:

DRAWN:

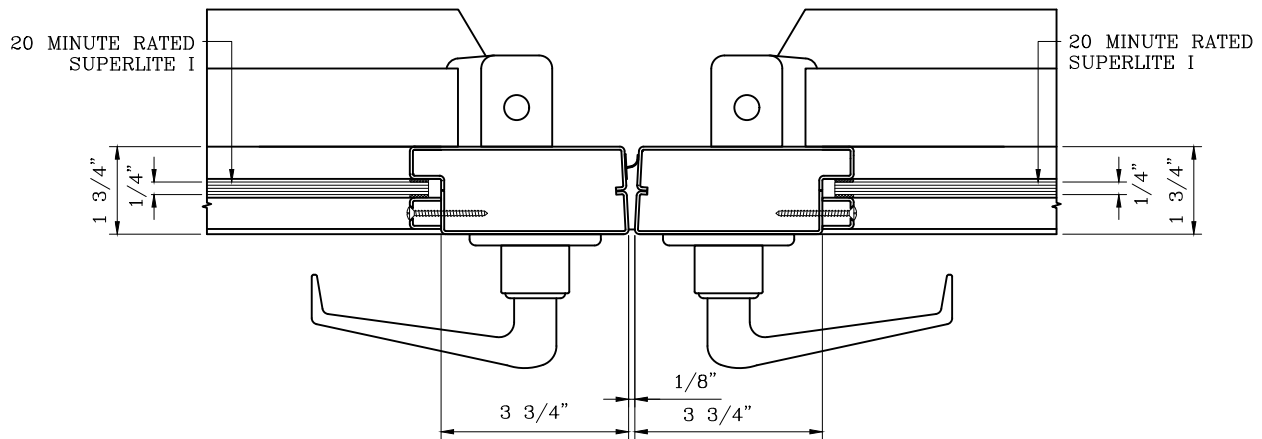
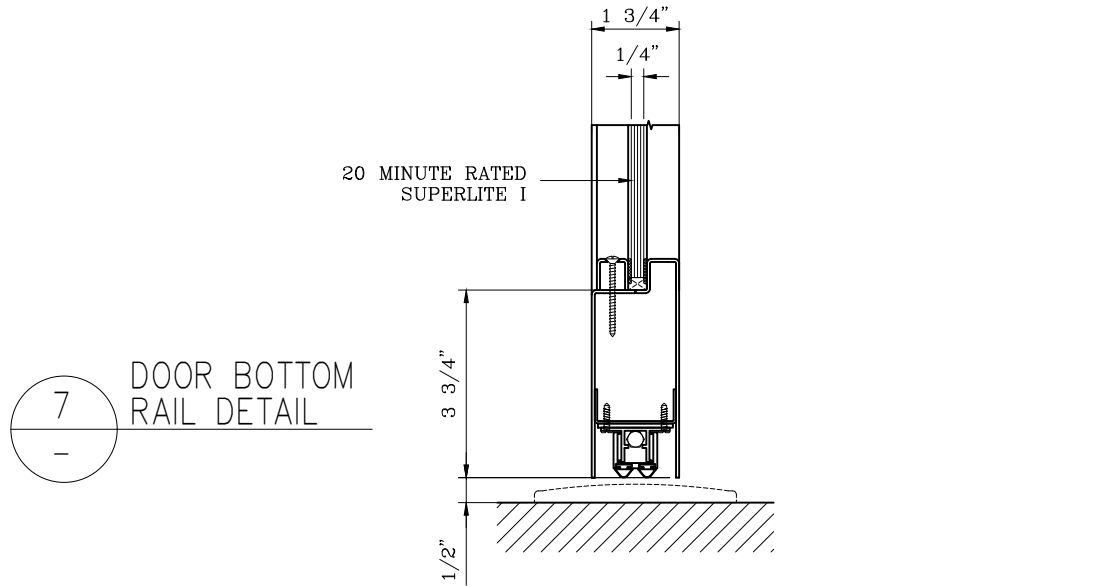
SCALE:

These details are subject to change without notice.

20 MINUTE NARROW PROFILE FIRE PROTECTIVE DOOR PAIR

-INTERIOR APPLICATION-

For more details, please visit www.safti.com



SAFTIFIRST™
 FIRE RATED GLAZING SOLUTIONS *Since 1982*
 100 N. HILL DR. SUITE 12 TEL: (415) 824-4900
 BRISBANE, CA 94005 FAX: (415) 824-5900

SuperLite™ I
GPX BUILDERS SERIES
 FIRE PROTECTIVE

DATE:

DRAWN:

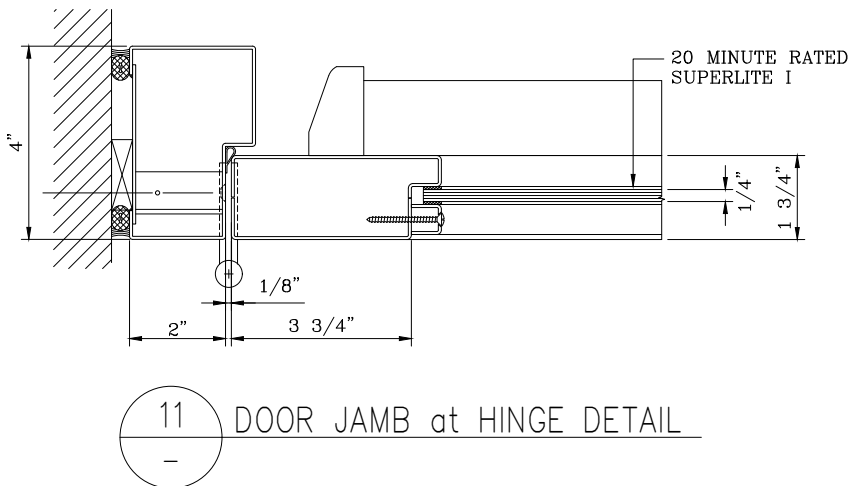
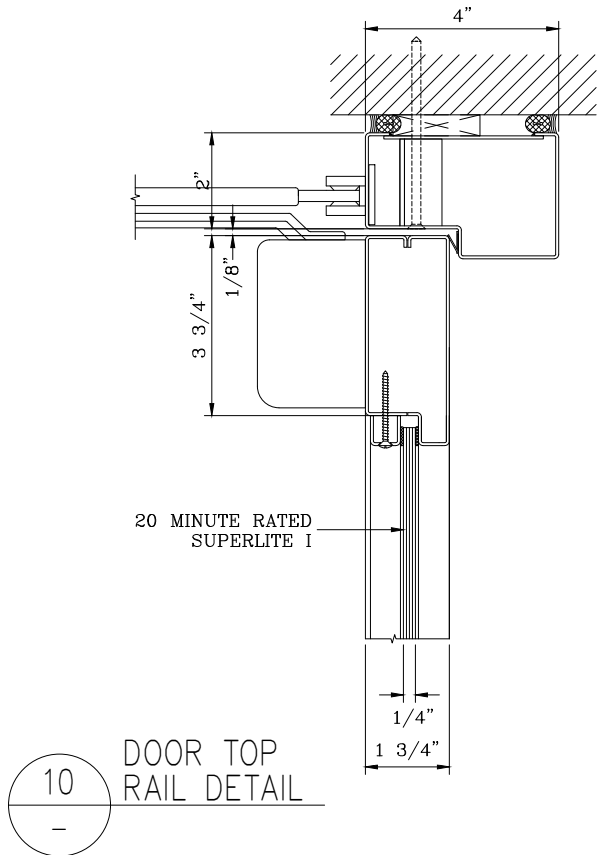
SCALE:

These details are subject to change without notice.

20 MINUTE NARROW PROFILE FIRE PROTECTIVE DOOR PAIR

—INTERIOR APPLICATION—

For more details, please visit www.safti.com



SAFTIFIRST™
 FIRE RATED GLAZING SOLUTIONS *Since 1982*
 100 N. HILL DR. SUITE 12 TEL: (415) 824-4900
 BRISBANE, CA 94005 FAX: (415) 824-5900

SuperLite™ I
GPX BUILDERS
SERIES
 FIRE PROTECTIVE

DATE:

DRAWN:

SCALE:

These details are subject to change without notice.