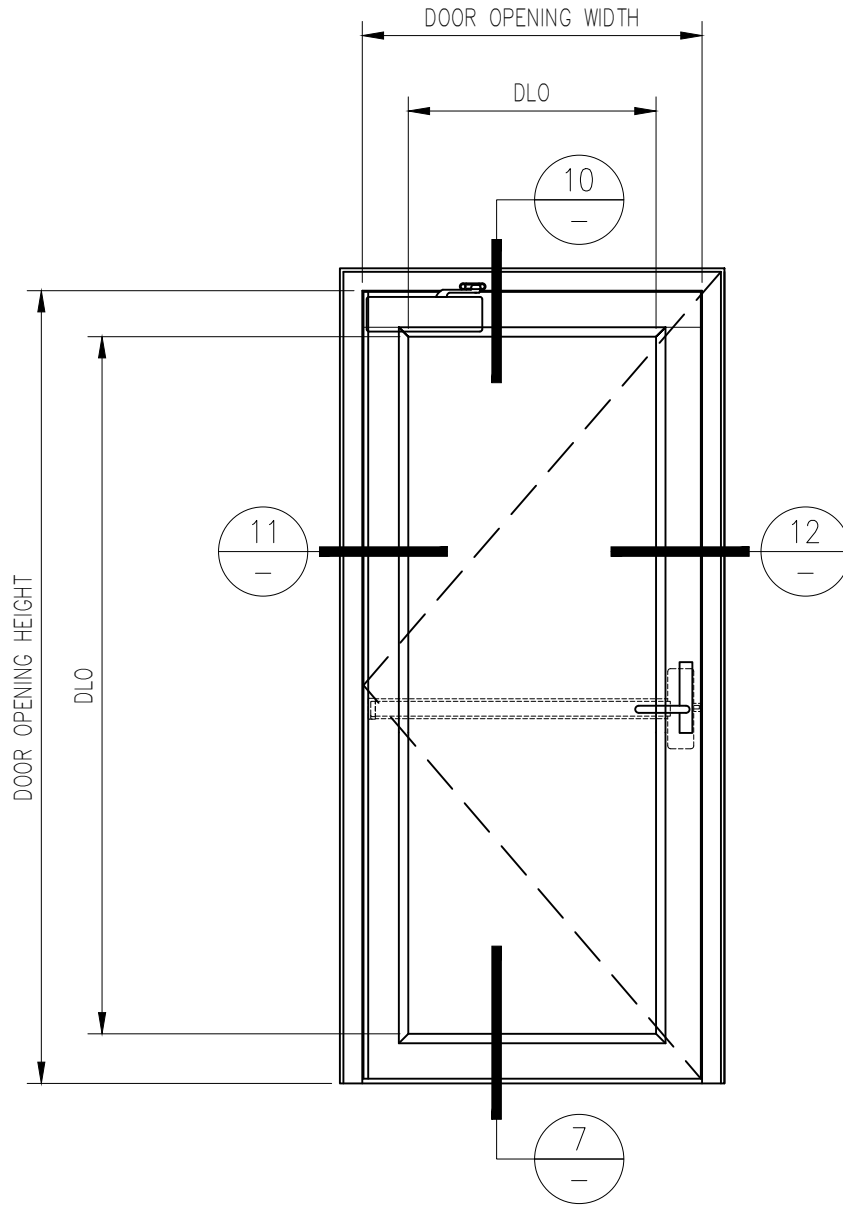


60 MINUTE NARROW PROFILE TEMPERATURE RISE SINGLE DOOR — INTERIOR APPLICATION —

For more details, please visit www.safti.com



SAFTIFIRST™
 FIRE RATED GLAZING SOLUTIONS *Since 1982*
 100 N. HILL DR. SUITE 12 TEL: (415) 824-4900
 BRISBANE, CA 94005 FAX: (415) 824-5900

SuperLite™ II-XL
GPX BUILDERS
SERIES
 TEMPERATURE RISE

DATE:

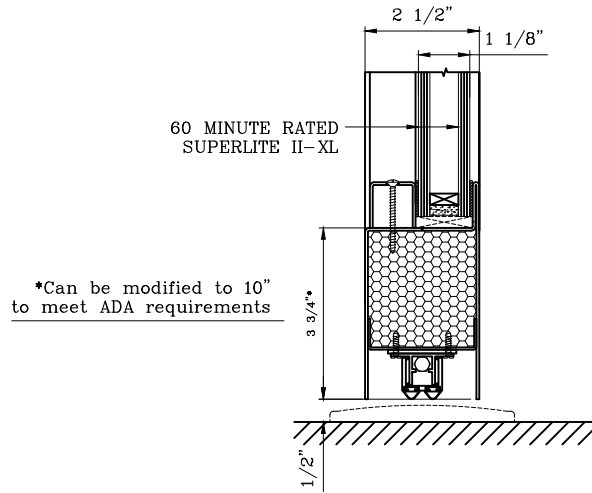
DRAWN:

SCALE:

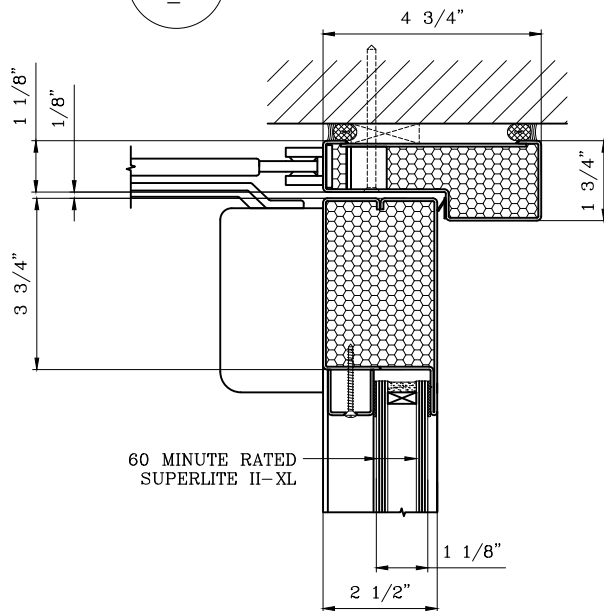
These details are subject to change without notice.

60 MINUTE NARROW PROFILE TEMPERATURE RISE SINGLE DOOR — INTERIOR APPLICATION —

For more details, please visit www.safti.com



7 DOOR BOTTOM RAIL DETAIL



10 DOOR TOP RAIL DETAIL

SAFTIFIRST™
FIRE RATED GLAZING SOLUTIONS Since 1982
100 N. HILL DR. SUITE 12 TEL: (415) 824-4900
BRISBANE, CA 94005 FAX: (415) 824-5900

SuperLite™ II-XL
GPX BUILDERS SERIES
TEMPERATURE RISE

DATE:

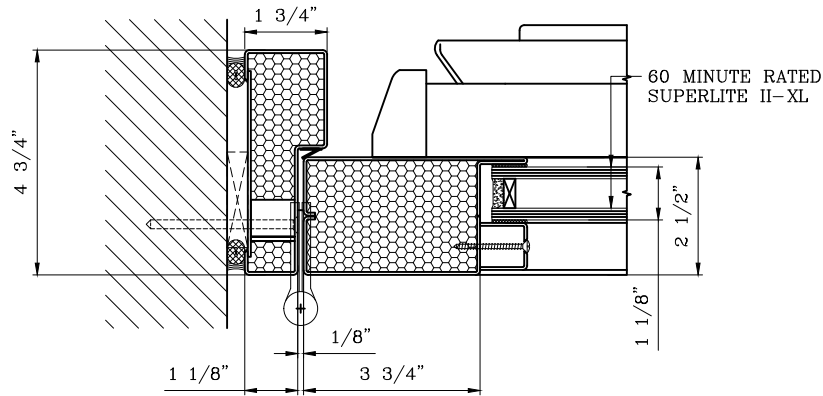
DRAWN:

SCALE:

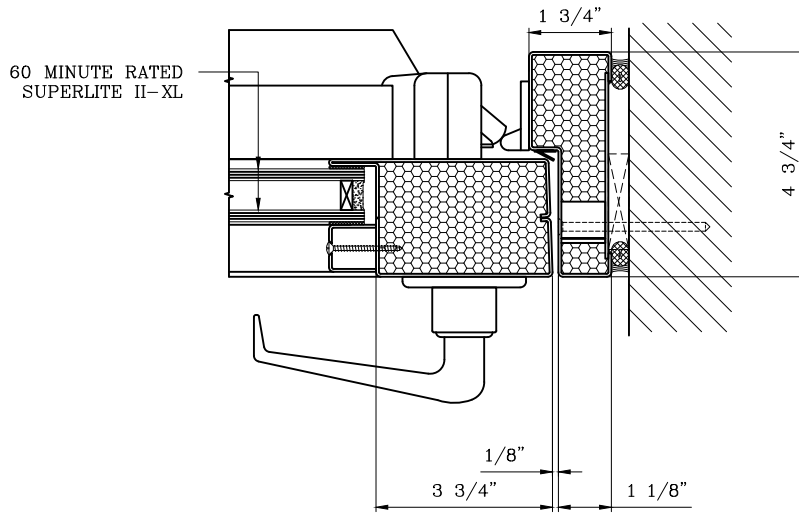
These details are subject to change without notice.

60 MINUTE NARROW PROFILE TEMPERATURE RISE SINGLE DOOR — INTERIOR APPLICATION —

For more details, please visit www.safti.com



11 DOOR JAMB at HINGE DETAIL



12 DOOR JAMB at LOCK DETAIL

SAFTIFIRST™
 FIRE RATED GLAZING SOLUTIONS *Since 1982*
 100 N. HILL DR. SUITE 12 TEL: (415) 824-4900
 BRISBANE, CA 94005 FAX: (415) 824-5900

SuperLite™ II-XL
GPX BUILDERS
SERIES
 TEMPERATURE RISE

DATE:

DRAWN:

SCALE:

These details are subject to change without notice.