

# SuperClear 45-HS-LI

Patent Pending

**45 Minute  
Fire Protective Glazing**

## PRODUCT ADVANTAGES



- ▶ The clearest, most economical fire and safety rated glazing meeting all the requirements for 45 minute doors, sidelites, transoms and openings in large sizes.
- ▶ Meets the required hose stream test.
- ▶ Meets the CPSC Cat. II impact safety test without the need of films or laminates.
- ▶ Non-wired and tint-free clear glazing using low-iron glass providing the highest visual clarity.
- ▶ Insulated, obscure, decorative or filmed make-ups available.
- ▶ Can be used in interior and exterior applications.
- ▶ USA manufactured for fast delivery and competitive pricing.
- ▶ Approved glazing component in the NFRC CMAST database.
- ▶ Lifetime warranty.

Fire Rating	Application	Max. CV Area	Max. CV Width	Max. CV Height	Stops
45 minutes	Doors	3,288 in. <sup>2</sup> (2.12 m <sup>2</sup> )	33 in. (0.84 m)	99-5/8 in. (2.53 m)	5/8 in. (16 mm)
45 minutes	Windows/ Sidelites/ Transoms	3,880 in. <sup>2</sup> (2.50 m <sup>2</sup> )	96 in. (2.44 m)	96 in. (2.44 m)	5/8 in. (16 mm)

## TESTED AND CERTIFIED TO UL 9, 10B AND 10C



SuperClear 45-HS-LI is listed and labeled by Intertek and Underwriters Laboratories, nationally recognized testing laboratories approved by OSHA.



## FIRE PROTECTIVE

Contains smoke and flames.  
Does not block radiant heat.



For fire resistive glazing that blocks radiant heat see SuperLite II-XL.

## SPECIFICATIONS

**Thickness:** 3/4 in. (19 mm)

**Weight:** 9.0 lbs./sq.ft. (44 kg/m<sup>2</sup>)

**Sound Transmission Rating:**  
STC 37/ OITC 35 in 3/4 in. (19 mm)  
standard profile in standard hollow  
metal frames.

**Fire Rating:** 45 minutes  
with hose stream

**Visible Light Transmittance:** 90

**Impact Safety Rating:**  
CPSC 16 CFR 1201 Cat. I and II,  
ANSI Z97.1 Class A and B,  
CAN/CGSB 12.1 Class A and B

## APPROVALS

UL 9, UL 10B, UL 10C,  
NFPA 80, NFPA 252, NFPA 257,  
ULC CAN4-S104, ULC CAN4-S106,  
CPSC 16 CFR 1201 Cat. I & II.,  
ANSI Z97.1, CAN/CGSB 12.1

### 3-Part Specifications:

Available at  
[www.safti.com/specifications](http://www.safti.com/specifications)

Made in the USA

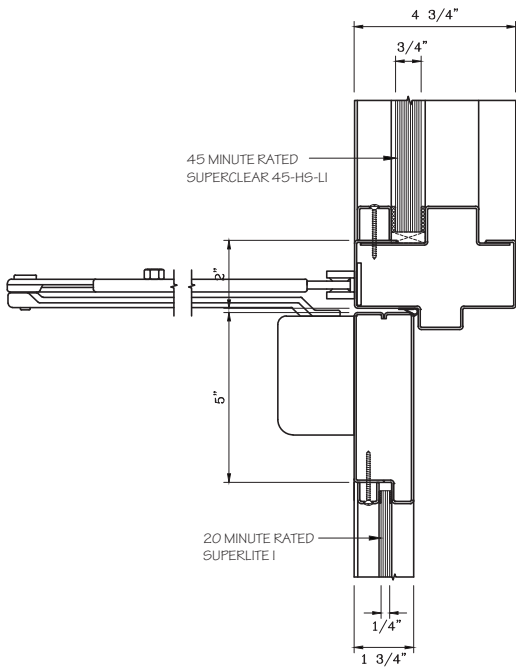
# SuperClear 45-HS-LI

Patent Pending

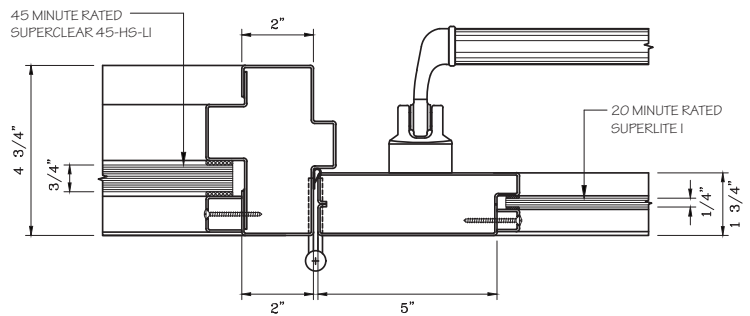
45 Minute  
Fire Protective Glazing

## TYPICAL DETAILS More details available at [www.safti.com/details](http://www.safti.com/details)

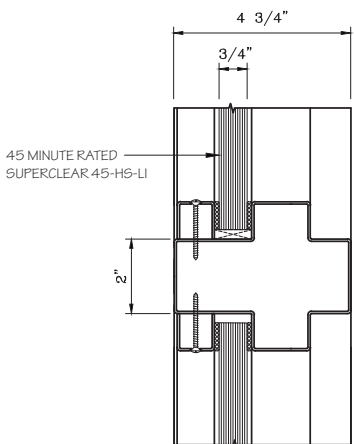
### SuperClear 45-HS-LI in GPX Builders Series Fire Protective Framing.



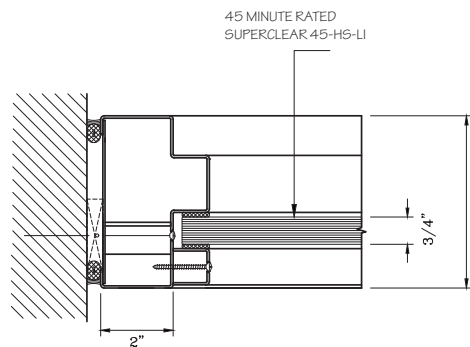
DOOR TOP RAIL DETAIL



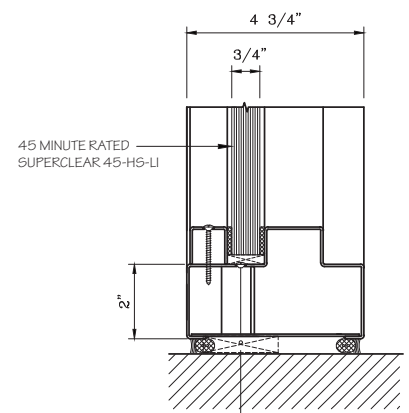
DOOR JAMB



HORIZONTAL MULLION DETAIL



JAMB DETAIL



SILL DETAIL

The information provided herein is for reference only and is subject to change without notice. Please visit [www.safti.com](http://www.safti.com) for the most up to date information. © SAFTI FIRST June 2019