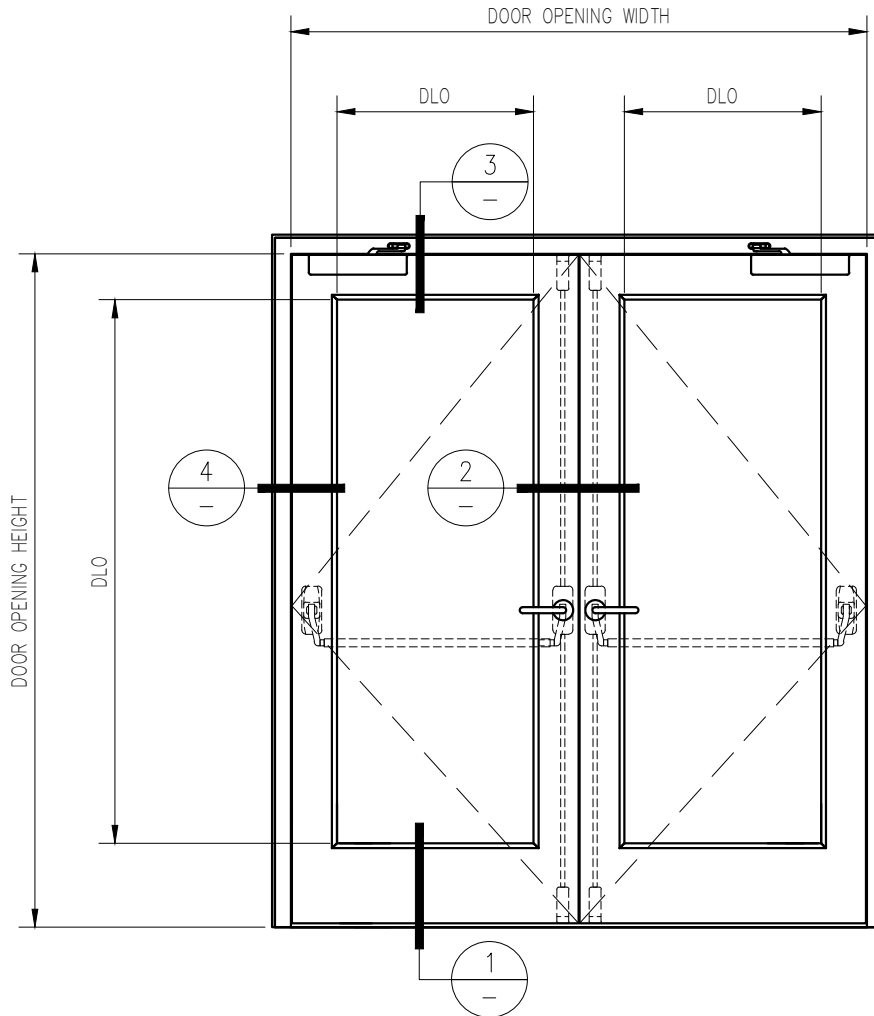


# 45 MINUTE FIRE PROTECTIVE DOOR PAIR WITH SUPERCLEAR 45-HS-LI

-INTERIOR APPLICATION-

For more details, please visit [www.safti.com](http://www.safti.com)



**SAFTIFIRST™**  
 FIRE RATED GLAZING SOLUTIONS *Since 1981*  
 100 N. HILL DR. SUITE 12 TEL: (415) 824-4900  
 BRISBANE, CA 94005 FAX: (415) 824-5900

**SuperClear 45-HS-LI**  
*Patent Pending*  
**GPX BUILDERS SERIES**  
 FIRE PROTECTIVE

DATE:

DRAWN:

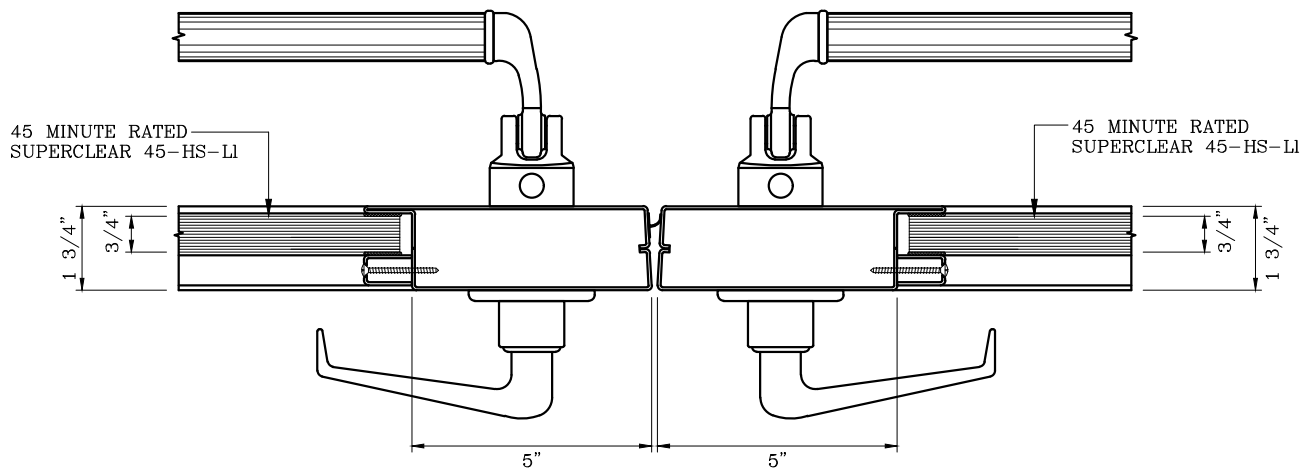
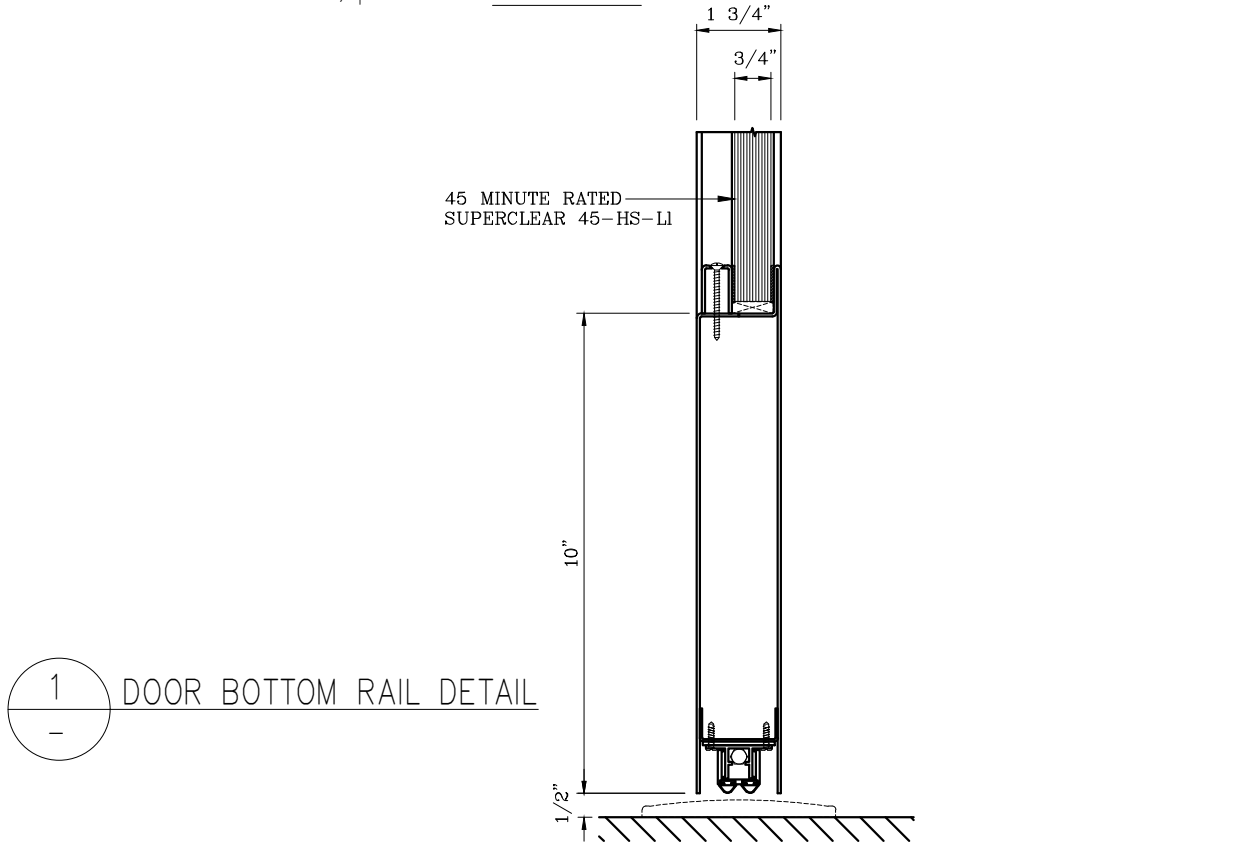
SCALE:

These details are subject to change without notice.

# 45 MINUTE FIRE PROTECTIVE DOOR PAIR WITH SUPERCLEAR 45-HS-LI

- INTERIOR APPLICATION -

For more details, please visit [www.safti.com](http://www.safti.com)



**SAFTIFIRST**™  
FIRE RATED GLAZING SOLUTIONS Since 1981  
100 N. HILL DR. SUITE 12 TEL: (415) 824-4900  
BRISBANE, CA 94005 FAX: (415) 824-5900

**SuperClear 45-HS-LI**  
Patent Pending  
**GPX BUILDERS SERIES**  
FIRE PROTECTIVE

DATE:

DRAWN:

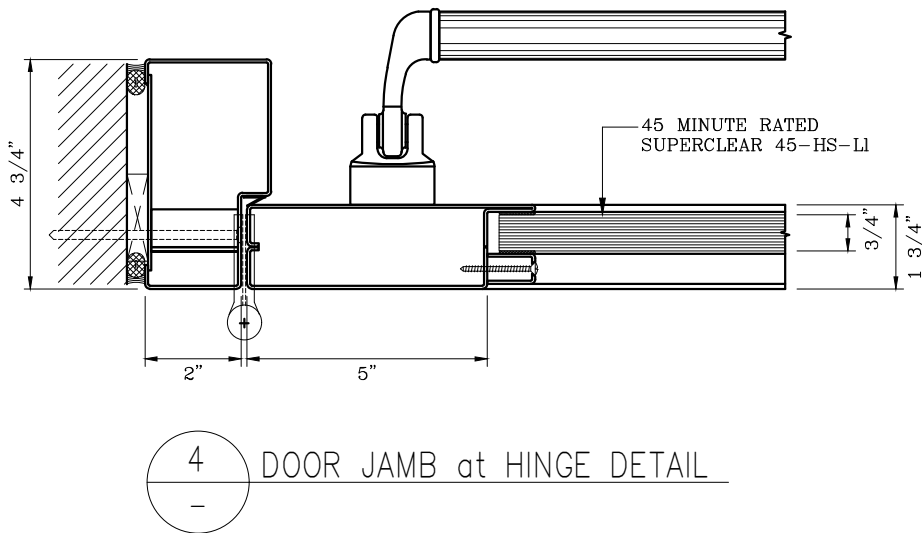
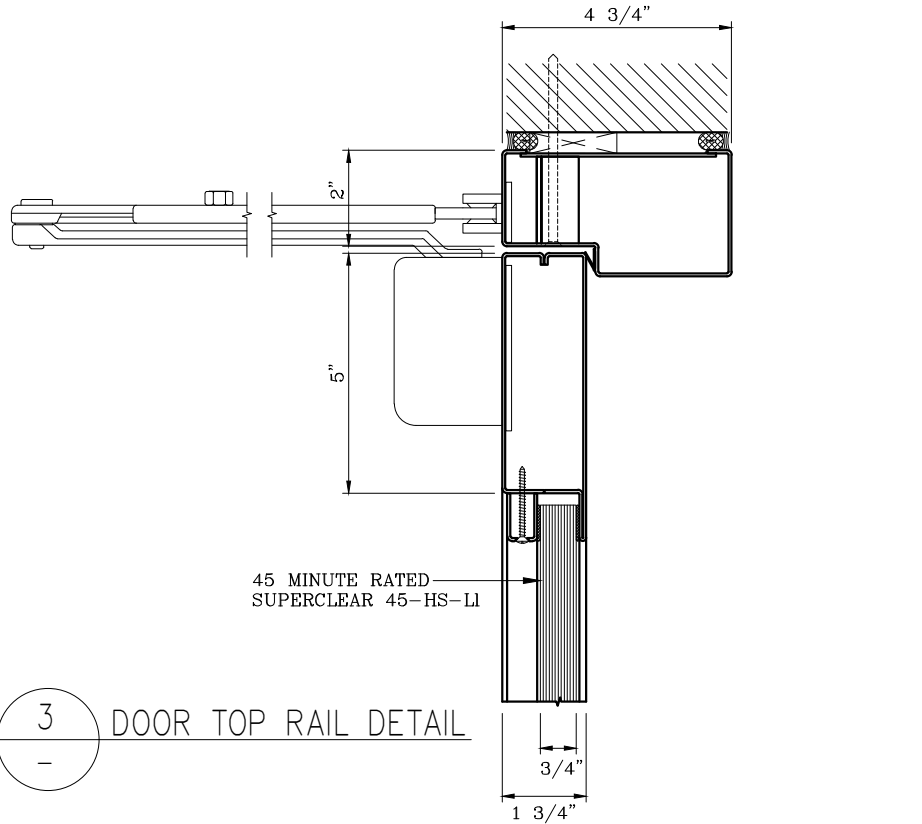
SCALE:

These details are subject to change without notice.

# 45 MINUTE FIRE PROTECTIVE DOOR PAIR WITH SUPERCLEAR 45-HS-LI

- INTERIOR APPLICATION -

For more details, please visit [www.safti.com](http://www.safti.com)



**SAFTIFIRST™**  
FIRE RATED GLAZING SOLUTIONS Since 1981  
100 N. HILL DR. SUITE 12 TEL: (415) 824-4900  
BRISBANE, CA 94005 FAX: (415) 824-5900

**SuperClear 45-HS-LI**  
*Patent Pending*  
**GPX BUILDERS SERIES**  
FIRE PROTECTIVE

DATE:

DRAWN:

SCALE:

These details are subject to change without notice.