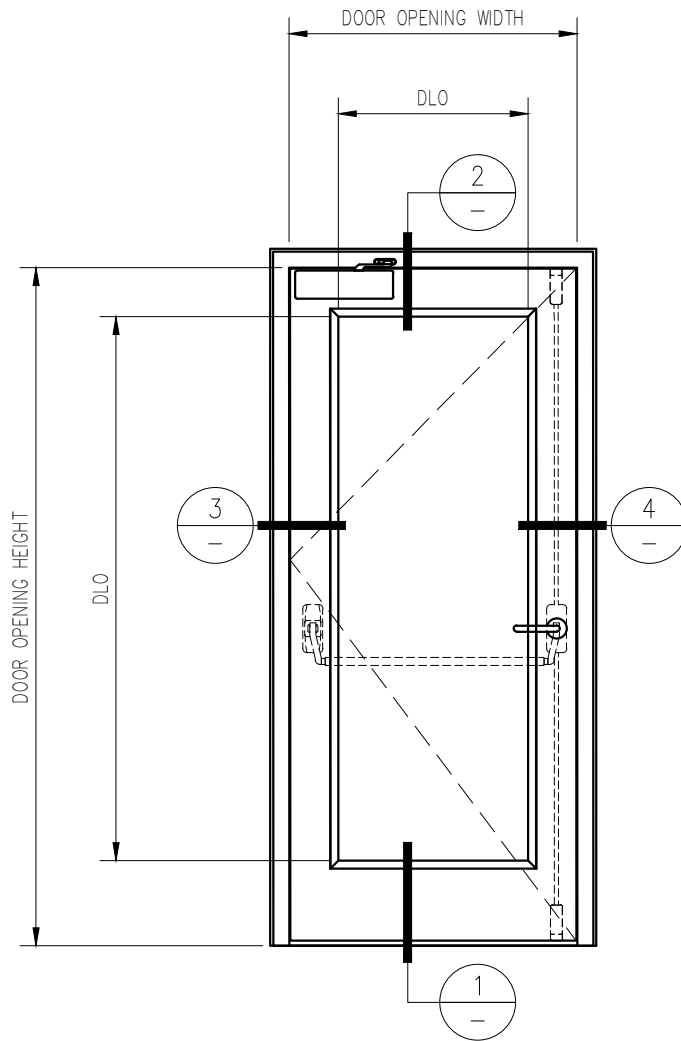


45 MINUTE FIRE PROTECTIVE SINGLE DOOR WITH SUPERCLEAR 45-HS-LI -INTERIOR APPLICATION-

For more details, please visit www.safti.com



SAFTIFIRST™
 FIRE RATED GLAZING SOLUTIONS *Since 1981*
 100 N. HILL DR. SUITE 12 TEL: (415) 824-4900
 BRISBANE, CA 94005 FAX: (415) 824-5900

SuperClear 45-HS-LI
Patent Pending
GPX BUILDERS SERIES
 FIRE PROTECTIVE

DATE:

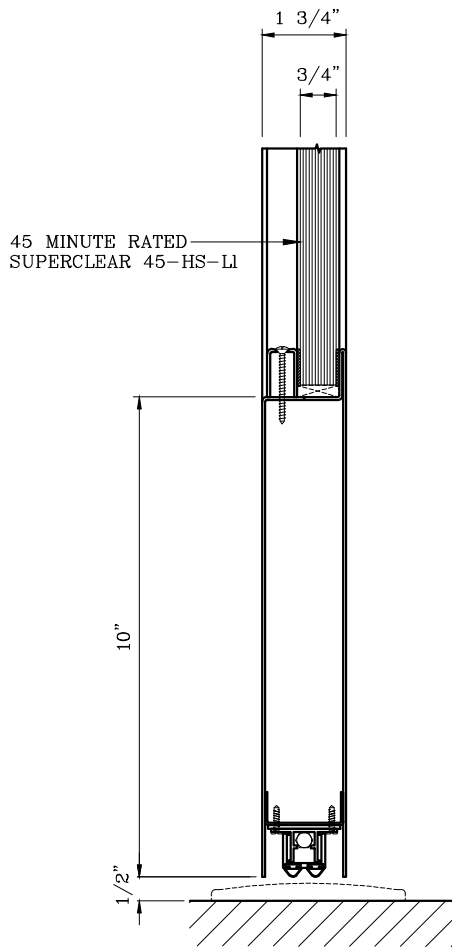
DRAWN:

SCALE:

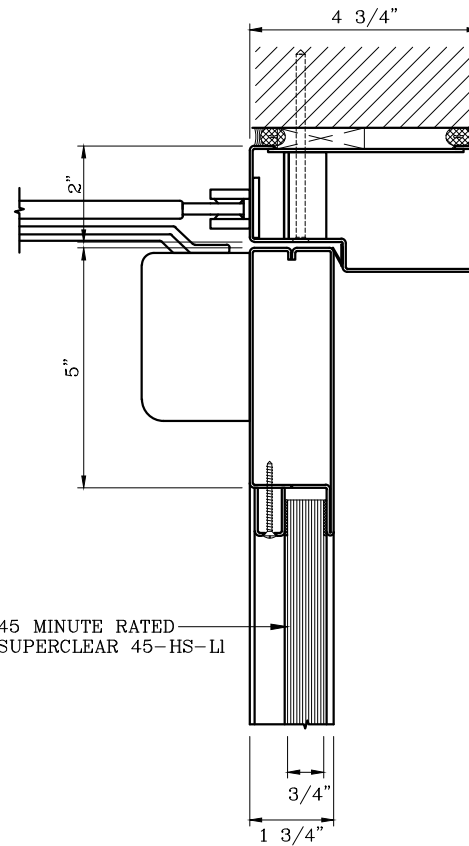
These details are subject to change without notice.

45 MINUTE FIRE PROTECTIVE SINGLE DOOR WITH SUPERCLEAR 45-HS-LI -INTERIOR APPLICATION-

For more details, please visit www.safti.com



1 DOOR BOTTOM RAIL DETAIL



2 DOOR TOP RAIL DETAIL

SAFTIFIRST™
FIRE RATED GLAZING SOLUTIONS *Since 1981*
100 N. HILL DR. SUITE 12 TEL: (415) 824-4900
BRISBANE, CA 94005 FAX: (415) 824-5900

SuperClear 45-HS-LI
Patent Pending
GPX BUILDERS SERIES
FIRE PROTECTIVE

DATE:

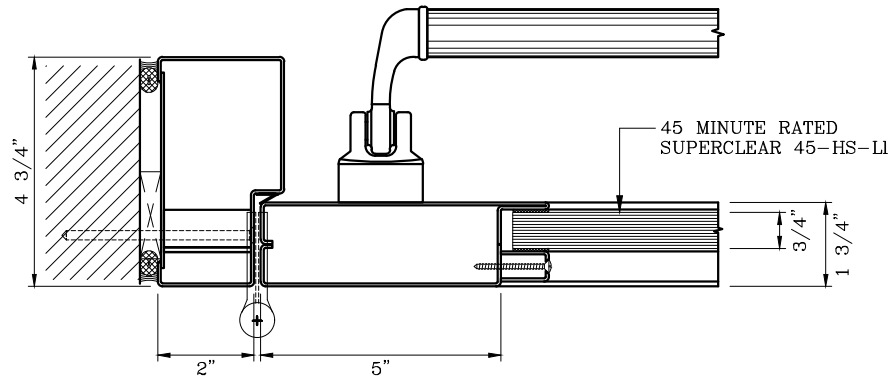
DRAWN:

SCALE:

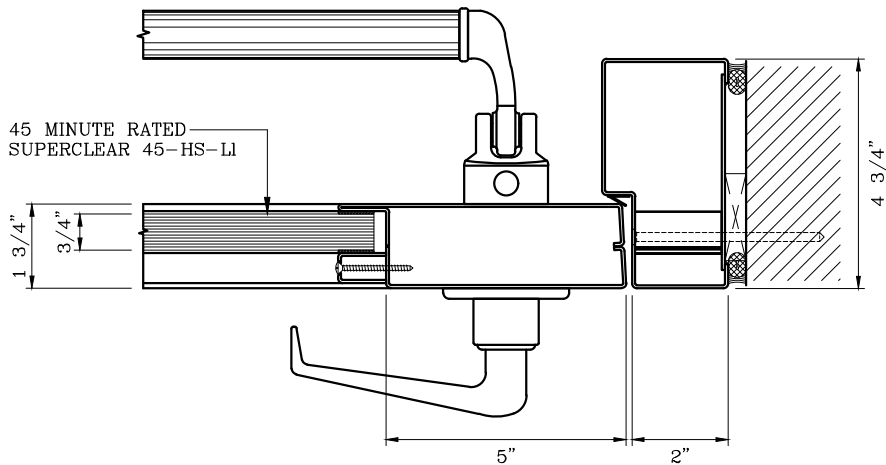
These details are subject to change without notice.

45 MINUTE FIRE PROTECTIVE SINGLE DOOR WITH SUPERCLEAR 45-HS-LI -INTERIOR APPLICATION-

For more details, please visit www.safti.com



3 DOOR JAMB at HINGE DETAIL



4 DOOR JAMB at LOCK DETAIL

SAFTIFIRST™
FIRE RATED GLAZING SOLUTIONS *Since 1981*
100 N. HILL DR. SUITE 12 TEL: (415) 824-4900
BRISBANE, CA 94005 FAX: (415) 824-5900

SuperClear 45-HS-LI
Patent Pending
GPX BUILDERS SERIES
FIRE PROTECTIVE

DATE:

DRAWN:

SCALE:

These details are subject to change without notice.