

SuperClear 45-HS

Patent Pending

**45 Minute
Fire Protective Glazing**

PRODUCT ADVANTAGES



- ▶ The most economical clear fire and safety rated glazing meeting all the requirements for 45 minute doors, sidelites, transoms and openings in large sizes.
- ▶ Meets the required hose stream test.
- ▶ Meets the CPSC Cat. II impact safety test without the need of films or laminates.
- ▶ Insulated, obscure, decorative or filmed make-ups available.
- ▶ Can be used in interior and exterior applications.
- ▶ Non-wired and tint-free.
- ▶ USA manufactured for fast delivery and competitive pricing.
- ▶ Approved glazing component in the NFRC CMAST database.
- ▶ Lifetime warranty.

Fire Rating	Application	Max. CV Area	Max. CV Width	Max. CV Height	Stops
45 minutes	Doors	3,288 in. ² (2.12 m ²)	33 in. (0.84 m)	99-5/8 in. (2.53 m)	5/8 in. (16 mm)
45 minutes	Windows/ Sidelites/ Transoms	3,880 in. ² (2.50 m ²)	96 in. (2.44 m)	96 in. (2.44 m)	5/8 in. (16 mm)

TESTED AND CERTIFIED TO UL 9, 10B AND 10C

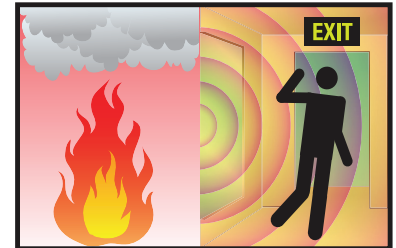


SuperClear 45-HS is listed and labeled by Intertek and Underwriters Laboratories, nationally recognized testing laboratories approved by OSHA.



FIRE PROTECTIVE

**Contains smoke and flames.
Does not block radiant heat.**



For fire resistive glazing that blocks radiant heat see SuperLite II-XL.

SPECIFICATIONS

Thickness: 3/4 in. (19 mm)

Weight: 9.0 lbs./sq.ft. (44 kg/m²)

Sound Transmission Rating:
STC 37/ OITC 35 in 3/4 in. (19 mm)
standard profile in standard hollow
metal frames.

Fire Rating: 45 minutes
with hose stream

Visible Light Transmittance: 83

Impact Safety Rating:
CPSC 16 CFR 1201 Cat. I and II,
ANSI Z97.1 Class A and B,
CAN/CGSB 12.1 Class A and B

APPROVALS

UL 9, UL 10B, UL 10C,
NFPA 80, NFPA 252, NFPA 257,
ULC CAN4-S104, ULC CAN4-S106,
CPSC 16 CFR 1201 Cat. I & II.,
ANSI Z97.1, CAN/CGSB 12.1

3-Part Specifications:

Available at

www.safti.com/specifications



Made in the USA

www.safti.com

SAFTIFIRST
SAFETY AND FIRE TECHNOLOGY INC.

888.653.3333

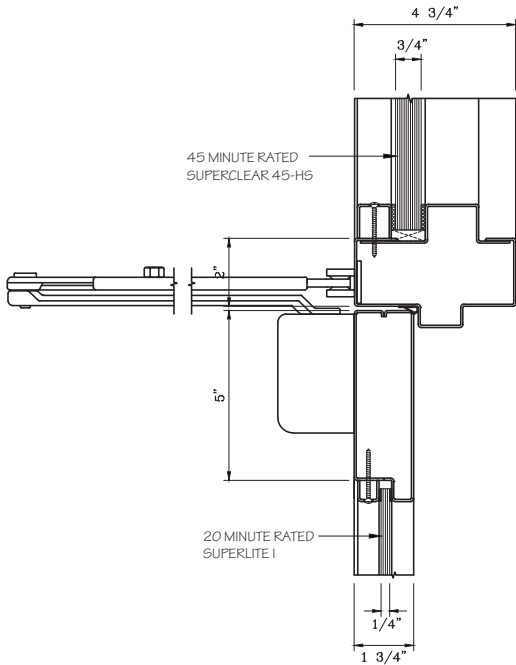
SuperClear 45-HS

Patent Pending

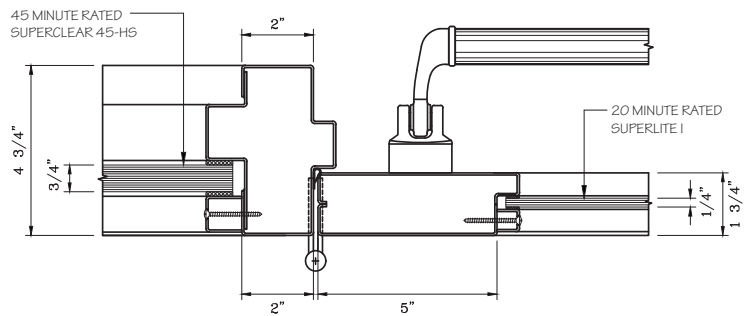
45 Minute
Fire Protective Glazing

TYPICAL DETAILS More details available at www.safti.com/details

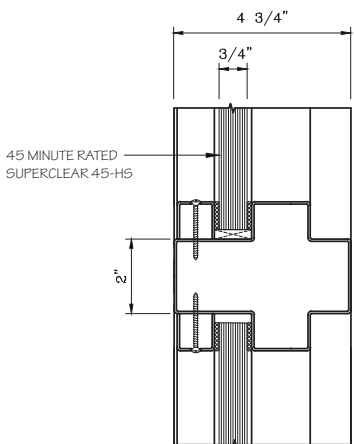
SuperClear 45-HS in GPX Builders Series Fire Protective Framing.



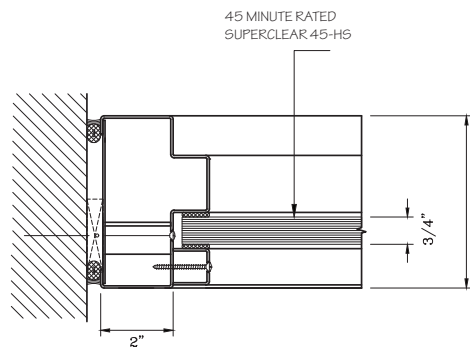
DOOR TOP RAIL DETAIL



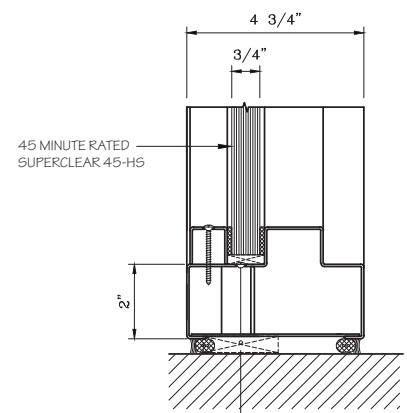
DOOR JAMB



HORIZONTAL MULLION DETAIL



JAMB DETAIL



SILL DETAIL

The information provided herein is for reference only and is subject to change without notice. Please visit www.safti.com for the most up to date information. © SAFTI FIRST January 2020