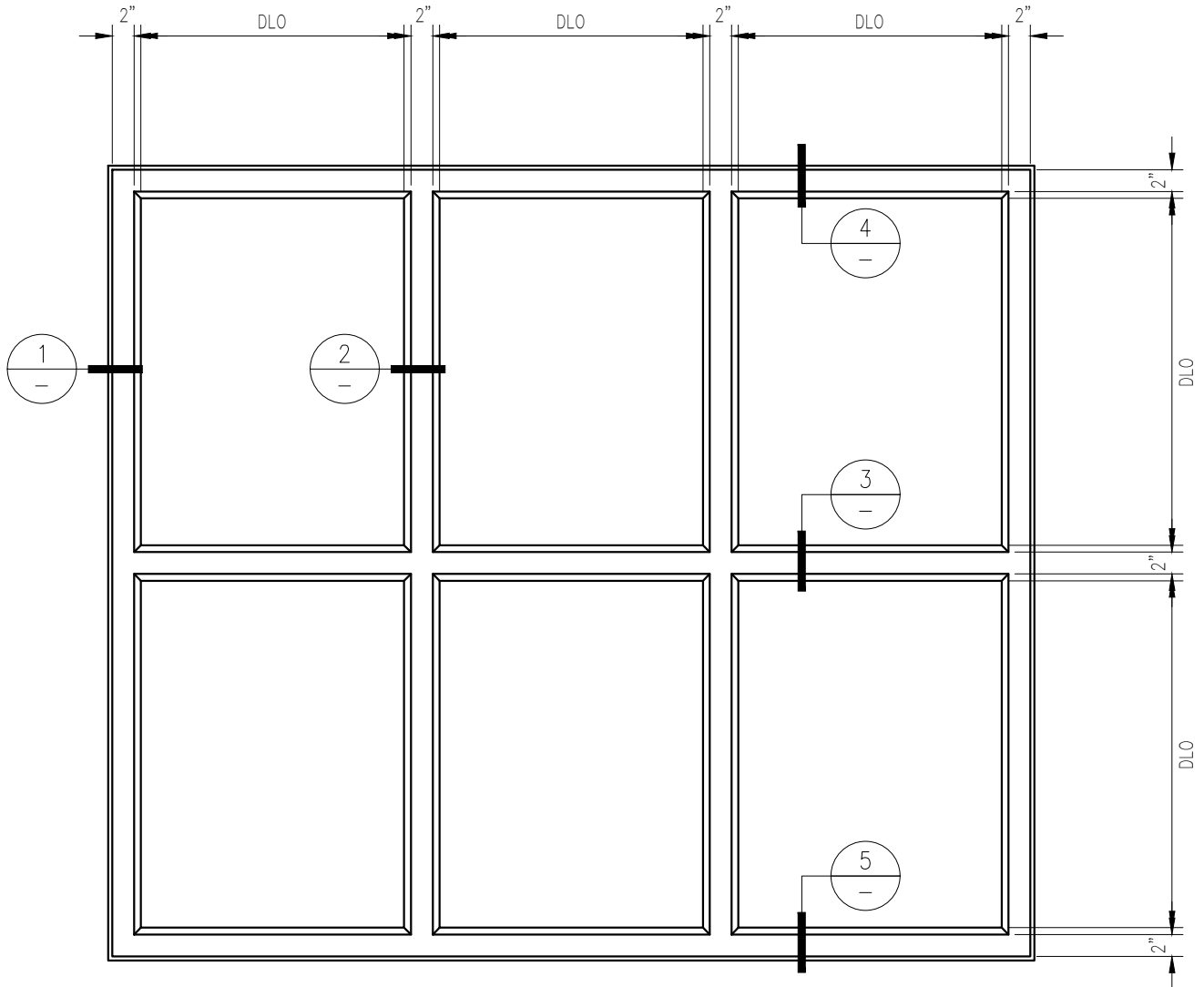


45 MINUTE FIRE PROTECTIVE OPENING WITH SUPERCLEAR 45-HS-LI -INTERIOR APPLICATION-

For more details, please visit www.safti.com



SAFTIFIRST™
 FIRE RATED GLAZING SOLUTIONS *Since 1981*
 100 N. HILL DR. SUITE 12 TEL: (415) 824-4900
 BRISBANE, CA 94005 FAX: (415) 824-5900

SuperClear 45-HS-LI
Patent Pending
GPX BUILDERS SERIES
 FIRE PROTECTIVE

DATE:

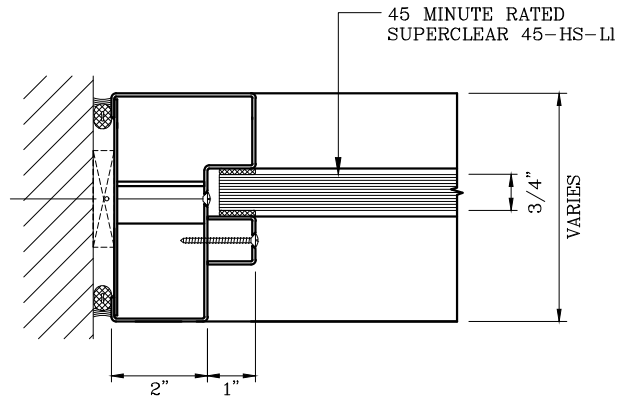
DRAWN:

SCALE:

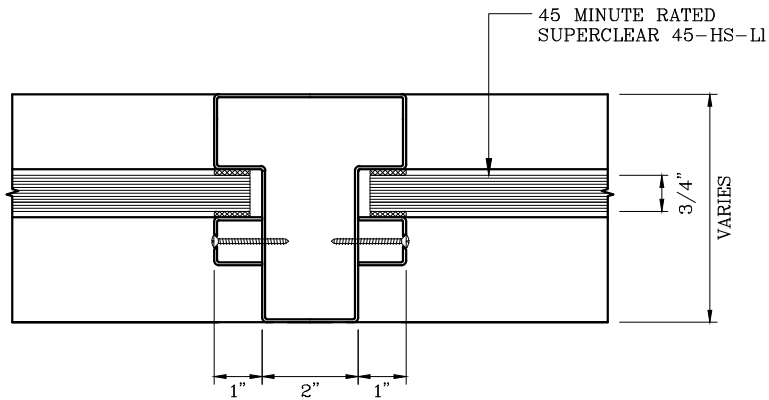
These details are subject to change without notice.

45 MINUTE FIRE PROTECTIVE OPENING WITH SUPERCLEAR 45-HS-LI -INTERIOR APPLICATION-

For more details, please visit www.safti.com



1 JAMB DETAIL
-



2 VERTICAL MULLION DETAIL
-

SAFTIFIRST™
FIRE RATED GLAZING SOLUTIONS Since 1981
100 N. HILL DR. SUITE 12 TEL: (415) 824-4900
BRISBANE, CA 94005 FAX: (415) 824-5900

SuperClear 45-HS-LI
Patent Pending
GPX BUILDERS SERIES
FIRE PROTECTIVE

DATE:

DRAWN:

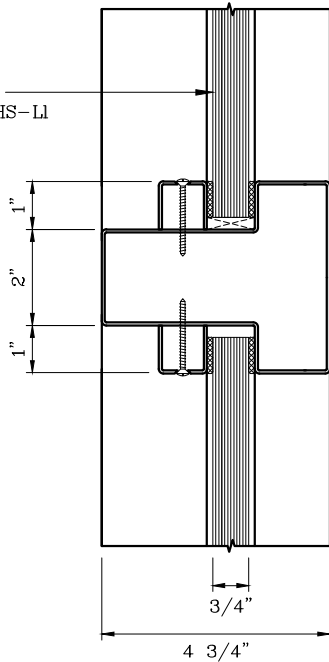
SCALE:

These details are subject to change without notice.

45 MINUTE FIRE PROTECTIVE OPENING WITH SUPERCLEAR 45-HS-LI -INTERIOR APPLICATION-

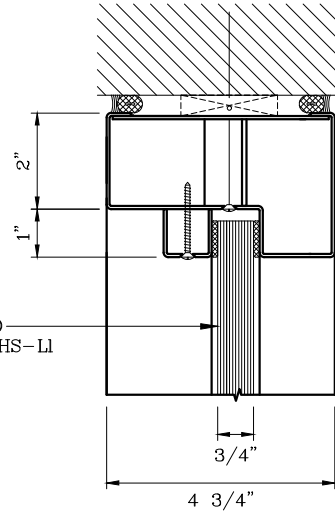
For more details, please visit www.safti.com

45 MINUTE RATED
SUPERCLEAR 45-HS-LI



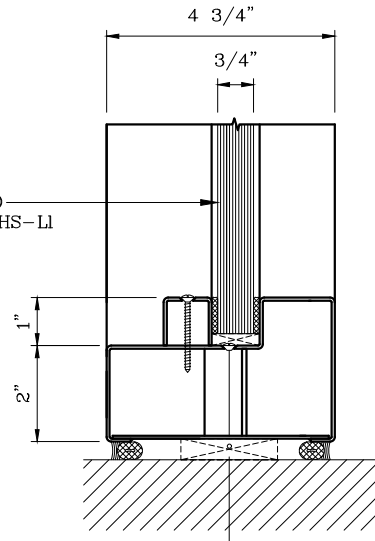
3 HORIZONTAL MULLION DETAIL

45 MINUTE RATED
SUPERCLEAR 45-HS-LI



4 HEAD DETAIL

45 MINUTE RATED
SUPERCLEAR 45-HS-LI



5 SILL DETAIL

SAFTIFIRST™
FIRE RATED GLAZING SOLUTIONS Since 1981
100 N. HILL DR. SUITE 12 TEL: (415) 824-4900
BRISBANE, CA 94005 FAX: (415) 824-5900

SuperClear 45-HS-LI
Patent Pending
GPX BUILDERS SERIES
FIRE PROTECTIVE

DATE:

DRAWN:

SCALE:

These details are subject to change without notice.